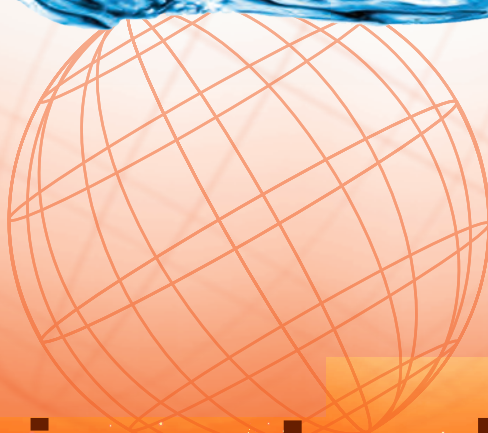


H GEBUTIKKEN



bringing water to life



**Livestock**

**2021**

YOUR PARTNER IN PROFESSIONAL LIVESTOCK PRODUCTS



Se [www.hagebutikken.no](http://www.hagebutikken.no)  
for oppdaterte priser, eller  
send en e-post til  
[kontor@hagebutikken.no](mailto:kontor@hagebutikken.no)



**Vår helt nye katalog på utstyr til husdyrhold! Katalogen er laget i samarbeid med vår leverandør i Nederland, og er derfor på engelsk, vi ber om forståelse for det.**

#### **Friskt vann er essensielt i alt dyrehold**

Katalogen er derfor spekket med alt vi har tilgjengelig av utstyr, rør, koblinger, drikkekar m.m. som passer til dyrehold og gårdsdrift.

En del av varene er ennå ikke tilgjengelig i vår nettbutikk på [www.hagebutikken.no](http://www.hagebutikken.no) men vil bli lagt ut fortløpende. Er det produkter du savner, send oss en e-post, så ordner vi det enkelt og greit.

#### **Innovative, økonomiske og økologiske produkter**

Fra oss kan du derfor forvente kvalitetsprodukter og varemerker. Vi har tatt initiativet, og ved å tilby deg innovative, økonomiske og økologiske produkter innen vårt fagområde: Husdyrhold, Vanning, Hagebruk, Gartneri, Park og Anlegg.

Ved å holde oss inne med våre kunder, montører, leverandører, industrien og fagmiljøene, tillegner vi oss bedre produktkunnskaper, og utvikler varige felles fordeler og verdier.

#### **Endringer i husdyrhold**

De siste års endringer og reguleringer i rammebetingelser for landbruket, har tvunget gårdbrukerne til å tenke nytt, inkludert det å ha effektive systemer for vannforbruk. Vann er en viktig, men kostbar og mangelfull, ressurs over hele verden, så selv på våre breddegrader må vi ha vannforbruk og vannøkonomi i fokus.

Vårt mål er derfor:

Å assistere gårdbrukere til å økonomisere vannforbruket på gårdene, vi optimaliserer produktiviteten ved å tilby systemer som setter dyrevelferden i fokus, og samtidig gjør vi gårdbrukeren sin hverdag enklere med løsninger som er funksjonelle, økonomiske og driftssikre.

#### **Vårt løfte:**

- Komplett utvalg til dyrehold
- Rask levering fra lager
- Rask og enkel bestilling: online og personlig
- Direktekontakt med produsenter og leverandører
- Velkjente merkevarer

Se gjennom katalogen, og finn ut hvordan du kan forbedre din hverdag og dine systemer!

*“Uansett hva du trenger vann til, om det er til stallen, ridebanen, fjøset, klimakontroll eller drikkevann: I denne katalogen finner du riktig løsning!”*

**HAGEBUTIKKEN**

bringing water to life



# CONTENTS

Chapter	Sub-chapter	Page
INTRO	.....	4
DRINKERS	The Essentials.....	20
	Frost-free products.....	24
	For Pasture.....	29
	For Sheep & Goats.....	31
	For Pigs.....	32
	Accessories.....	37
PLASTIC PRESSURE PIPING SYSTEMS	PVC Pressure Pipe, Metric.....	40
	PVC Pressure Fittings, Metric.....	44
	PVC Pressure Pipe, Imperial.....	67
	PVC Pressure Fittings, Imperial Grey.....	68
	PVC Ring Seal Pressure Pipes and Fittings, Metric.....	72
	Cast Iron Ring Seal Pressure Fittings for PE/PVC Pipes, Metric.....	75
	PVC/PP Valves, Metric.....	76
	PVC Valves, Imperial.....	82
	PE Pipes, In Coils.....	84
	PE Pipes, Straight Lengths.....	86
	Compression Fittings, Jason.....	88
	Compression Fittings, PN10.....	94
	Transition Compression Fittings, Universal.....	97
	PP Saddles for PE / PVC Pipes.....	98
	Jason PE100 Electrofusion and Butt Welding Fittings.....	100
	VDL PE100 Electrofusion and Butt Welding Fittings.....	106
	Speedfit Pipes and Fittings.....	108
	Super-Speedfit Pipes and Fittings.....	113
	PVC Hose Tails.....	115
	PP Hose Tails, Grey.....	116
FASTENERS AND ADHESIVES	Pipe Fixings.....	120
	Adhesives and Cleaners.....	123
CLAMPS	Worm Drive Hose Clips.....	128
	Super Hose Clips.....	130
METAL VALVES	Brass Ball Valves, Mega.....	134
	Brass Ball Valves, Itap.....	138
	Brass Ball Valves, VIR.....	140
	Brass Ball Valves, Actuated.....	142
	Brass Ball Valves, Mini.....	143
	Brass Ball Valves, Three Way.....	144
	Bib Taps.....	145
	Brass Gate Valves.....	146
	Brass Solenoid Valves.....	146
	Cast Iron Valves.....	148
	Stainless Steel Valves.....	150
	Butterfly Valves.....	153
	Slurry Valves.....	155
	Plastic and Brass Check Valves.....	163
	Stainless Steel Check Valves.....	166
	Safety Valves and Pressure Reducers.....	167

Chapter	Sub-chapter	Page
COUPLINGS AND ACCESSORIES	Brass Hose Tails .....	172
	Plastic, Brass and Stainless Steel Quick Couplers.....	174
	Plastic Click Connectors .....	177
	Spray Pistols, Lances and Accessories .....	178
	Aluminium Couplers, Storz .....	179
	Couplers and Pipes, Type Perrot .....	182
	Couplers and Pipes, Type Bauer.....	189
	Slurry Couplers and Fittings .....	191
HOSES	PVC Garden Hoses .....	200
	Rubber Hoses.....	203
	Suction Hoses .....	206
	Rubber Suction Hoses.....	210
	Flat Hoses and Fire Fighting Hoses.....	211
METAL PIPES AND FITTINGS	Galvanised Malleable Threaded Fittings and Steel Pipes .....	216
	Black Malleable Threaded Fittings and Steel Welding Fittings .....	230
	Galvanised and Black Steel Flanges .....	232
	Rubber Expansion Joints .....	235
	Stainless Steel 316 Threaded Fittings .....	236
	Stainless Steel 304 Threaded Fittings .....	243
	Stainless Steel Flanges and Welding Fittings .....	244
MEASUREMENT, REGULATION AND FILTRATION	Pressure Gauges .....	248
	Hygrometers and Thermometers .....	252
	Water Meters and Flow Meters .....	253
	Dosing Systems .....	256
	Water Filters and Accessories .....	258
	Screen, Disc and Sand Filters .....	259
PUMPS, PRESSURE TANKS AND ACCESSORIES	Jet Pumps .....	278
	Centrifugal Pumps .....	281
	Deep Well & Submersible Pumps .....	286
	Pressure Sets.....	292
	Pressure Tanks .....	293
	Float Valves.....	297
	Compressors.....	298
TANKS	Steel Water Tanks .....	302
	Polyester Storage Tanks .....	306
	PE Storage Tanks .....	308
CLIMATE	Heating.....	312
	Press-Inox Fittings.....	313
	Twin pipe and Couplers .....	316
	Cooling.....	318

# OUR BRANDS

## SOLUTIONS FOR ALL SITUATIONS

We like to give you a large choice in products and brands, so you can make your installation the way you want. That is why we offer you many products of the following well-known brands:



**bonfix**  
the fitting factory



**Honeywell**



**JG Speedfit**



**NAANDANJAIN**  
A JAIN IRRIGATION COMPANY



**V-L Van de Lande**



But have you also tried our own private labels? Mega, Profec, Jason and Torsino for industrial applications and Hydro-S for domestic purposes. With these brands we offer you quality and specification at a price that enables you to compete against the well-known A-brands. They are perfect alternatives!



Our largest proprietary brand is Profec, which features prominently in our entire range.

### Profec lets you complete any job at a fair price

Couplings, pipe, hoses, filters, pumps – our quality brand, Profec, offers everything you could possibly require for your complete installation solutions in the professional water sector. Profec products and associated spare parts are available directly from stock, so you and your customers will never have to go without. Moreover, each and every product is specially selected for its high quality and specifications, so you can trust that it does exactly what it is supposed to. The Profec range is competitively priced, leaving you ample scope for your own profit margin. Profec lets you complete any job more conveniently, efficiently and profitably. It is therefore for good reason that thousands of satisfied professionals use Profec products on a daily basis. **Profec, your smartest choice in water technology.**

# DESIGN SERVICES WE CAN HELP YOU!

Your time is valuable, therefore our design team is able to support you when needed, so you as an **INSTALLER**, can spend your time on what is really important!

We can offer customised design services, like fodder irrigation plans or riding arena irrigation plans.

## Fodder Irrigation Plan



## Riding Arena Irrigation Plan



If you are interested, please contact [kontor@hagebutikken.no](mailto:kontor@hagebutikken.no) for more information.



HERO PRODUCTS



SAVE WATER



ENERGY EFFICIENT



FROST PROTECTION



FAST INSTALLATION



LOW BUDGET



STOCK GUARANTEED



CLIMATE



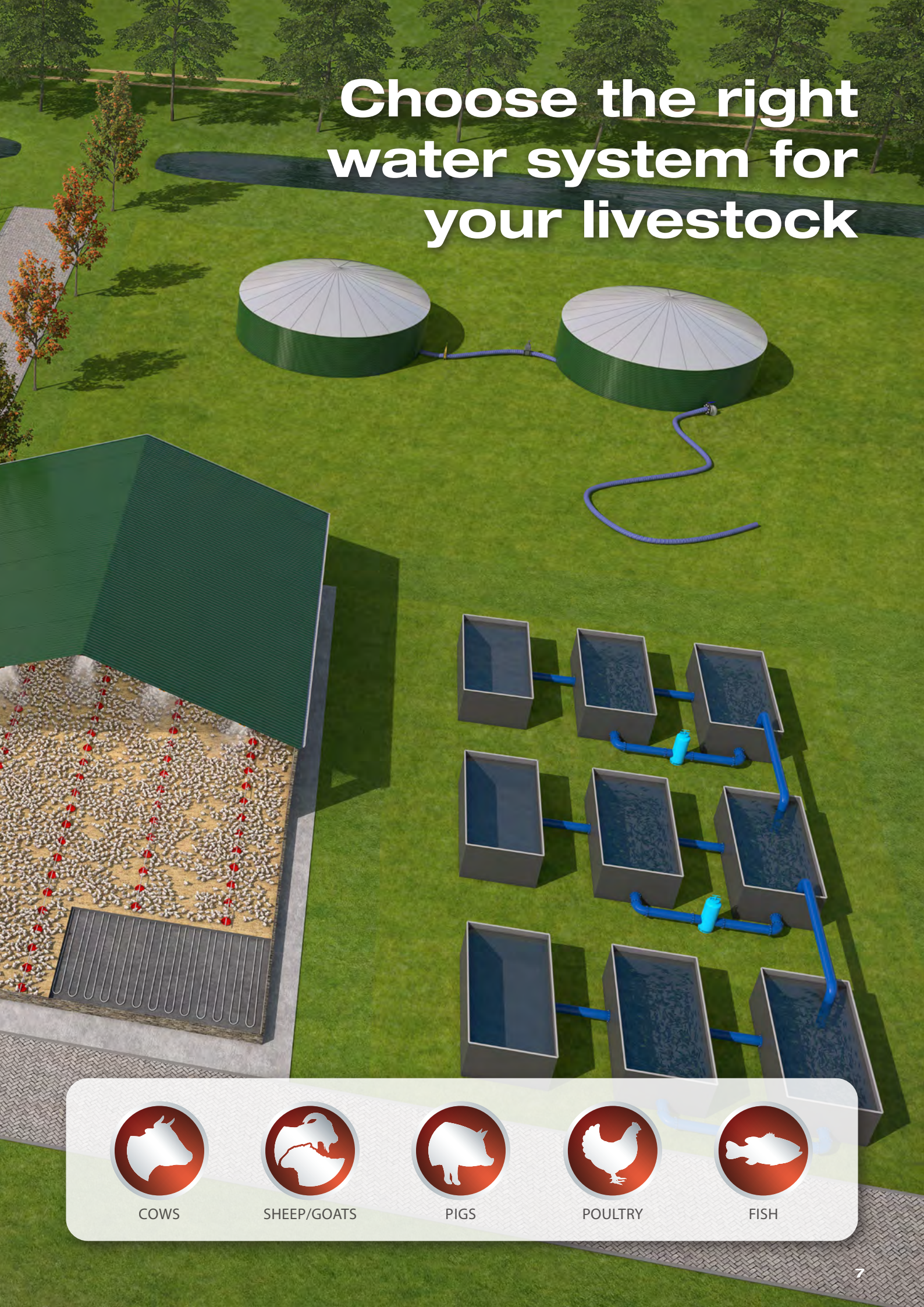
DRINKING



SLURRY



# Choose the right water system for your livestock



COWS



SHEEP/GOATS



PIGS



POULTRY



FISH

# WATER SUPPLY

An efficient and clean water supply is essential for your animals' welfare and productivity.

## Boreholes lining-pumps

Create your own well with a borehole lining-pumps and complementary piping systems.

### Boreholes lining-pump

Part no. 7024370



## Tanks

Storage and transport to secure your water demand.



### Steel Water Tanks

Part no. 7028900



### PE Storage Tank

Part no. 0020221



### Membrane tanks

Part no. 0920153



## Controllers

Controlling the amount and quality of your water.

### Dosing systems

Part no. 7024292



### Water meters

Part no. 0892316



### Pressure gauges

Part no. 0840090



### Cartridge filters

Part no. 7028253



### Pressure reducers

Part no. 0410825



### Non return valves

Part no. 0410418



## Break tanks

Avoid the risk of contamination to ensure that no water can get pushed back into the mains supply.

Part no. 7023557



# DRINK & FEED SYSTEMS

Find the proper systems for drinking and feeding according to the needs of your animals.



**Essential drinkers for cows and horses**

**Cast iron**

Part no. 7028190



**Stainless steel**

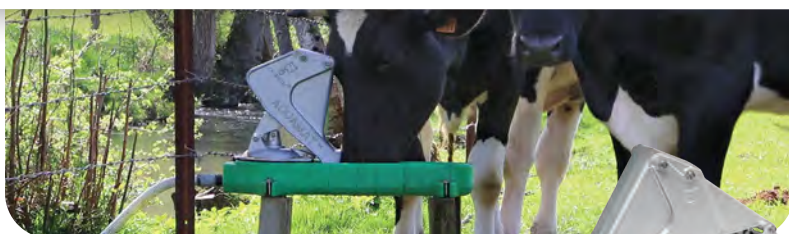
Part no. 7028194



**Drinking points on pasture**

**Troughs**

Part no. 7028180



**Pasture pumps**

Part no. 7028177



**Watering solutions for sheep and goats**

**Cast iron**

Part no. 7028173



**Drinking bowls and nipples for pigs**

**Stainless steel**

Part no. 7028214



**Stainless steel**

Part no. 7028213



**Control the water temperature in winter with frost free drinkers and electrical heating systems**



**Frost free drinker with heating element**

Part no. 7028169



**Frost free powerful pump system**

Part no. 7028170

# CLIMATE

Control the climate in stables in both summer and winter.

## COOLING

Indoor cooling with dedicated foggers and sprinklers.



**TurboFog**

Part no. 7028450

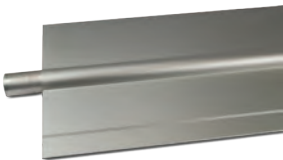


**Sprinklers**

Part no. 7020939

## HEATING

With adequate systems like floor heating or twin pipes.



**Twin pipe**

Part no. 0710675



**Floor heating**

Part no. 7014177



**Floor heating**

Part no. 7023890



**Compression fittings**

Part no. 0702030



**Push fit systems**

Part no. 0700611



**Temperature & pressure gauges**

Part no. 0801563



# WASTE WATER & SLURRY

Dispose your waste water and slurry in a sustainable way, with respect to animals and the environment.

A wide range of valves, couplers, fittings, hoses and specific components for agricultural applications



**Butterfly valves**

Part no. 0401853



**Ball valves**

Part no. 0090957



**MZ valves & fittings**

Part no. 0400827





## Gate valves



Part no. 0400766



Part no. 0112083

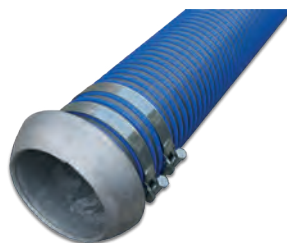


## Manifolds

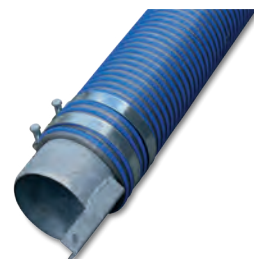


Part no. 0200778

## Hoses



Part no. 7015820



Part no. 0504616

## Perrot and Bauer couplers



Part no. 0220435



Part no. 0200379

# AQUACULTURE

The controlled production of fish is experiencing a huge growth. We provide a wide range of products for fish farming, from dedicated tanks and piping to filtration, for optimal water quality.



## Water tanks

Part no. 7028978

## Filtration

Part no. 7028581





## Piping

Different sizes and quality in  
PVC and PE

### Slide valve 315mm

Part no. 0112085



### PVC pipe 315mm

Part no. 0309097



### EF Elbow 250mm

Part no. 7025476

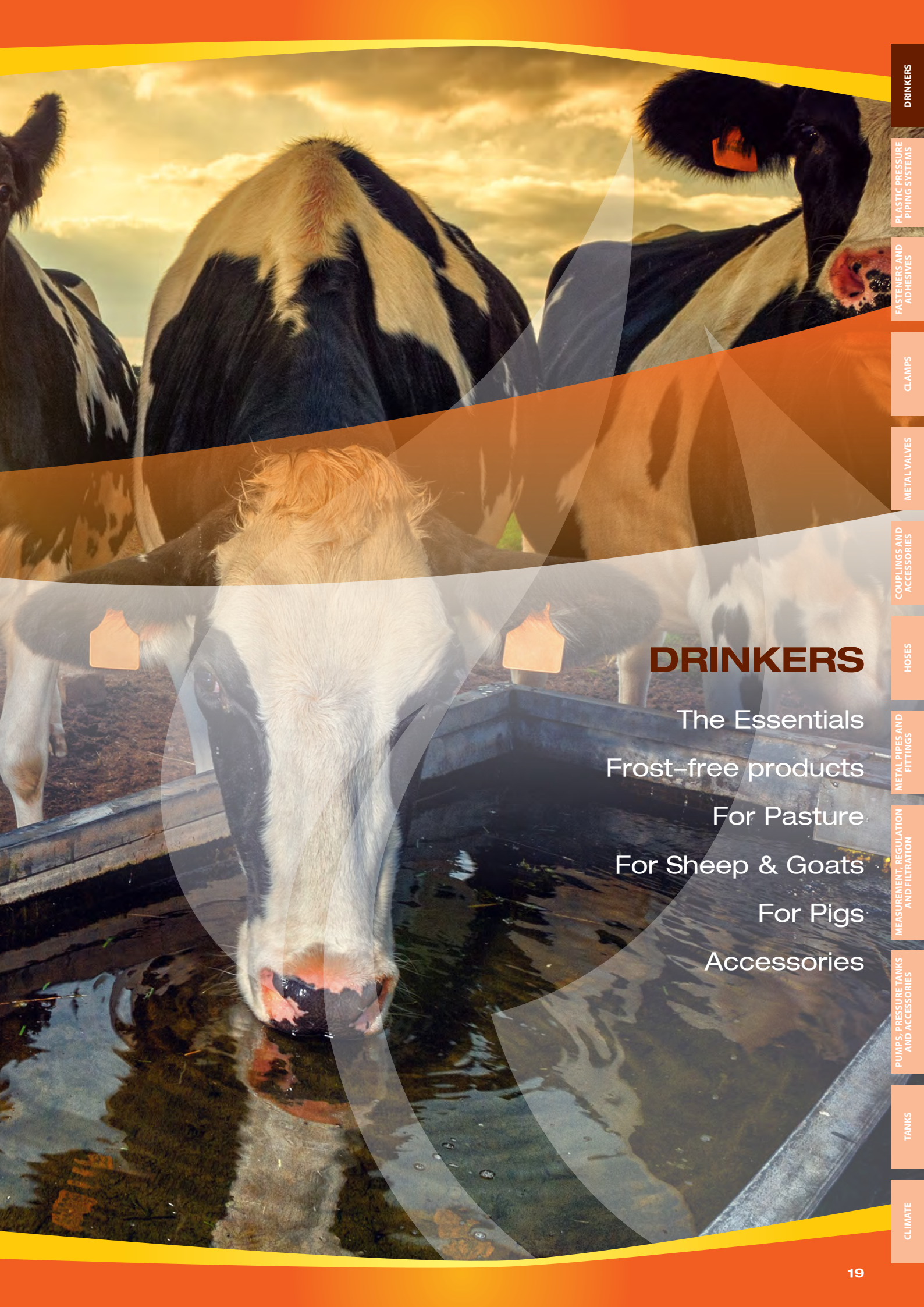


### PE pipe 250mm

Part no. 0390616







DRINKERS

PLASTIC PRESSURE  
PIPING SYSTEMS

FASTENERS AND  
ADHESIVES

CLAMPS

METAL VALVES

COUPLINGS AND  
ACCESSORIES

HOSES

METAL PIPES AND  
FITTINGS

MEASUREMENT, REGULATION  
AND FILTRATION

PUMPS, PRESSURE TANKS  
AND ACCESSORIES

TANKS

CLIMATE

# DRINKERS

The Essentials  
Frost-free products  
For Pasture  
For Sheep & Goats  
For Pigs  
Accessories

# DRINKERS

## The Essentials



### Cast iron drinking bowl with Polycoat and vertical paddle

Vertical paddle for easier maintenance

Connection without thread to horizontal 3/4" tube (20x27)

Material: cast iron



**PART NO.**

7028164 Cast iron drinking bowl with Polycoat and vertical paddle



### Double cast iron bowl with constant water level

Float valve protected by a stainless steel cover.

Drain plug without tool.

Horizontal or vertical water supply from below.

6,5 l/mn at 3 bars.

L. 45 x W. 27 x H. 24 cm.

Centres: 130 mm - Ø15 mm.

Connection on horizontal 3/4" tube.

Material: cast iron



**PART NO.**

7028167 Double cast iron bowl with constant water level



### Universal cast iron drinking bowl with constant water level

Large capacity: 5 litres.

Float valve protected by a stainless steel cover.

Drain plug without tool.

Horizontal or vertical water supply from below.

6,5 l/mn at 3 bars.

L. 45 x W. 27 x H. 24 cm.

Centres: 130 mm - Ø15 mm.

Connection on horizontal 3/4" tube

Material: cast iron



**PART NO.**

7028168 Universal cast iron drinking bowl with constant water level



DRINKERS

PLASTIC PRESSURE PIPING SYSTEMS

FASTENERS AND ADHESIVES

CLAMPS

METAL VALVES

COUPLINGS AND ACCESSORIES

HOSES

METAL PIPES AND FITTINGS

MEASUREMENT, REGULATION AND FILTRATION

PUMPS, PRESSURE TANKS AND ACCESSORIES

TANKS

CLIMATE

**400 l. polyethylene trough for milk pre-cooler exit - Galvanised frame**

Large polyethylene trough to offer the lukewarm water from the milk pre-cooler to the cows immediately after milking.  
Galvanised steel frame for wall mounting.  
Capacity: 400 litres.

- Trough of 400 litres in HDPE, a material that keeps the water lukewarm for longer.
  - Reversible one-piece frame. Water supply possible from the left or the right.
  - Drain / overflow Ø100 mm.
  - Stainless steel ¾" elbow fitting for continuous water supply from the pre-cooler.
- Dimensions: 240 x 66 x 63 cm



Material: PE



PART NO.	
7028189	400 l. polyethylene trough for milk pre-cooler exit - Galvanised frame

# DRINKERS

## The Essentials



### Cast iron drinking bowl with Polycoat - Stainless steel horizontal paddle - Brass 3/4" valve

Reliability tried and tested for nearly 40 years.  
12 l/mn at 3 bars.  
Horizontal, stainless steel paddle.  
Four fixing points.  
Connection 3/4" (20x27).

Material: cast iron



#### PART NO.

7028190 Cast iron drinking bowl with Polycoat - Stainless steel horizontal paddle - Brass 3/4" valve



### Synthetic drinking bowl with horizontal paddle - Brass 3/4" valve

Shock resistant synthetic bowl.  
Perfect for cattle or horses.  
Four fixing points.  
Connection 3/4" (20x27) from top or bottom.

12 l/mn at 3 bars.  
Wide paddle, easy to push.

Material: polyethylene



#### PART NO.

7028191 Synthetic drinking bowl with horizontal paddle - Brass 3/4" valve



### Synthetic drinking bowl with tube - Brass 3/4" valve

Shock resistant synthetic bowl.  
Perfect for cattle or horses.  
Four fixing points.  
Connection 3/4" (20x27) from top or bottom.

13 l/mn at 3 bars.  
- Adjustable flow rate.  
- Tube very easy to push.

Material: polyethylene



#### PART NO.

7028192 Synthetic drinking bowl with tube - Brass 3/4" valve



### Cast iron drinking bowl with Polycoat - Brass 3/4" valve with T fitting

Cast iron drinking bowl, deep and wide, suited for all types of snouts.  
 An effort of 600 g at 3 bar on the tube valve is enough to activate the valve.  
 With T fitting for circulation system connection.

King-sized bowl: L. 319 x W. 260 x H. 178 mm.

Connection 3/4" (20x27).

18 l/mn at 3 bars.

Material: cast iron



PART NO.	
7028193	Cast iron drinking bowl with Polycoat - Brass 3/4" valve with T fitting



### Stainless steel drinking bowl - Stainless steel 3/4" valve

Seamless stainless steel drinker, sturdy and durable.  
 Bowl with rounded edge to avoid water spilling.  
 Stainless steel valve with high flow rate resist to the most acidic water.  
 Connection 3/4" from the top.  
 Four oblong mounting holes.

Smooth push tube valve, easy to activate.

Large bowl inclined slightly forward for more comfort.

18 l/mn at 3 bars.

Material: stainless steel



PART NO.	
7028194	Stainless steel drinking bowl - Stainless steel 3/4" valve



### Stainless steel drinking bowl - Stainless steel 3/4" valve with T-fitting

Seamless stainless steel drinker, sturdy and durable.  
 Bowl with rounded edge to avoid water spilling.  
 Stainless steel valve with adjustable and high flow rate.  
 Resist to the most acidic water.  
 Connection 3/4" with T-fitting for multiple possibilities.  
 Four oblong mounting holes.  
 With T fitting for circulation system connection.

- Smooth push tube valve, easy to activate.
  - Large bowl inclined slightly forward for more comfort.
  - Stainless steel mounting plate designed to prevent dirt deposits.
- 18 l/mn at 3 bars.

Material: stainless steel



PART NO.	
7028195	Stainless steel drinking bowl - Stainless steel 3/4" valve with T-fitting



# DRINKERS

Frost-free products



## Single-access s.s. drinker with float valve and one double-walled polyethylene door

High flow rate valve.  
Connection 1/2" (15x21).

- Double-walled polyethylene door.
- Valve 32 l/min (flow rate measured at 3 bars) with shutoff pin. On single access drinkers the water supply can be connected from the left or the right.
- Double inward folded non-spill edge. No salient parts.
- Bulkhead screw-in drain plug.

Material: stainless steel



PART NO.	
7028165	Single-access s.s. drinker with float valve and one double-walled polyethylene door



## Double-access s.s. drinker with float valve and two double-walled polyethylene doors

High flow rate valve.  
Connection 1/2" (15x21).

- Double-walled polyethylene door.
- Valve 32 l/min (flow rate measured at 3 bars) with shutoff pin. On single access drinkers the water supply can be connected from the left or the right.
- Double inward folded non-spill edge. No salient parts.
- Bulkhead screw-in drain plug.

Material: stainless steel



PART NO.	
7028166	Double-access s.s. drinker with float valve and two double-walled polyethylene doors



## Drinking bowl with constant water level and heating element 24 V - 50 W

Extra-large frost-free HDPE bowl with constant water level, to be mounted on a PE or concrete stand (int. ø 300 mm) (for example item 7028199).  
10 l/mn at 3 bars.

- Water access 320 x 200 mm, maximum reserve of 5,5 litres.
- Seamless HDPE design.
- Simplified mounting system.
- Stainless steel edge and cover.
- Drain system without tools / Operation indicator light.

Electric frost protection system, efficient down to -20 °C.  
1/2" female fitting complete with 1 m stainless steel braided hose.  
Transformer 230/24 V required.

Material: PE



PART NO.	
7028169	Drinking bowl with constant water level and heating element 24 V - 50 W

## Stand

Foam-insulated PE Stand for mounting a frost-free non-spill drinker. Ideal for cattle in the existing buildings.

PE stands are sturdier and easier to install than concrete stands. The double-walled polyethylene is filled with insulating polyurethane foam to ensure perfect thermal insulation. They are equipped with a drain hole for drinkers with a drain plug. Plug is included.

Material: PE



PART NO.	
7028199	Stand



## Frost-free non-electric 75 L waterer with 2 balls, float valve for standard pressure

Non-electric frost-free drinkers, perfect for both outdoor and indoor use. They work according to the Thermos flask principle: a double food-safe HDPE wall is insulated with polyurethane foam. The water is kept at 3-5 °C in winter and 10-12 °C in summer. Single version (40l) for 15 animals or double (75l) for 30 animals.

- Frost free down to -30 °C thank to high-quality insulation material.
- Fresh water during summer.
- Balls of THERMOLAC™ are also filled with insulating polyurethane foam. They are very easy to push by cows or by horses.
- Water is protected against mosquitos and wild animals.
- 34 l./min (at 3 bars) float valve. Adjustable water level without tool.
- Pre-installed ½" stainless steel braided hose, insulating jacket and ground insulation supplied with the drinker (bottom view).
- Their large insulated drain plugs - Ø100 mm (4") allow cleaning without the need to remove the cover.
- Quickly and complete opening patented system

Material: PE



PART NO.	
7028171	Frost-free non-electric 75 L waterer with 2 balls, float valve for standard pressure



# DRINKERS

## Frost-free products



### Frost-free non-electric 40 L waterer with 1 ball, float valve for standard pressure

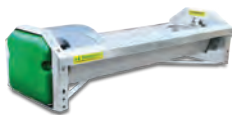
Non-electric frost-free drinkers, perfect for both outdoor and indoor use. They work according to the Thermos flask principle: a double food-safe HDPE wall is insulated with polyurethane foam. The water is kept at 3-5 °C in winter and 10-12 °C in summer. Single version (40l) for 15 animals or double (75l) for 30 animals.

- Frost free down to -30 °C thank to high-quality insulation material.
- Fresh water during summer.
- Balls of THERMOLAC™ are also filled with insulating polyurethane foam. They are very easy to push by cows or by horses.
- Water is protected against mosquitos and wild animals.
- 34 l./min (at 3 bars) float valve. Adjustable water level without tool.
- Pre-installed ½" stainless steel braided hose, insulating jacket and ground insulation supplied with the drinker (bottom view).
- Their large insulated drain plugs - Ø100 mm (4") allow cleaning without the need to remove the cover.
- Quickly and complete opening patented system.

Material: PE



PART NO.	
7028172	Frost-free non-electric 40 L waterer with 1 ball, float valve for standard pressure



### Tipping trough, type LB

Stainless steel tipping trough for dairy cows kept inside  
Suitable for up to 3 cows or 5 cows drinking at the same time.  
For wall mounting, but can be installed on floor with feet (not included).  
Several frost protection sets available.

- Stainless steel trough of 53l or 85l linking sturdiness and food safety. Specially folded non-spill edge to minimize water loss and avoid splashing.
- Galvanised steel reinforcement with anti-torsion bars under the trough.
- The valve is protected against the animals by an insulating double-walled HDPE cover also serving as a first protection from frost.
- 72 l./mn. valve (measured flow rate at 3 bars) with water shut off pin.
- ¾" swivel fitting with 2 entries: can be connected to a SPEED-FLOW circulation pump without extra accessories.
- A second HDPE side plate avoids all contact between the animals and the water supply. Its insulating capacity protecting it from frost.
- Big lever foldaway with blocking anti-fall.
- Finger safety.

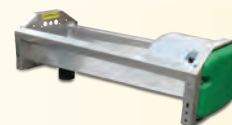
Material: stainless steel



PART NO.	TYPE	CONTENT litr
7028175	LB150	53
7028176	LB230	85

### Rapid-drain trough, type GV

Stainless steel trough with large draining.  
 Suitable for up to 3 cows or 6 cows drinking at the same time.  
 For wall mounting, but can be installed on floor with feet (not included).  
 Several frost protection set are available.



- Stainless steel trough of 66l of 144l linking sturdiness and food safety. With slanted bottom for easier cleaning and specially folded non-spill edge to minimize water loss and avoid splashing.
- The valve is protected against the animals by an insulating double-walled HDPE cover also serving as a first protection from frost.
- 72 l./mn. valve (measured flow rate at 3 bars) with water shut off pin.
- 3/4" swivel fitting with 2 entries: can be connected to a SPEED-FLOW circulation pump (not included) without extra accessories.
- A second HDPE side plate avoids all contact between the animals and the water supply. Its insulating capacity protecting it from frost. It also houses the electrical connection of the antifreeze sets.
- Draining system Ø 100 mm accessible from below: Hands are kept dry.

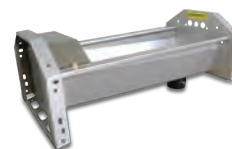
Material: stainless steel



PART NO.	TYPE	CONTENT ltr
7028185	GV150	66
7028186	GV230	112
7028187	GV300	144

### Rapid-drain trough, type GV110

Compact stainless steel trough with large drain.  
 Suitable for up to 2 cows drinking at the same time.  
 For wall mounting, but can be installed on floor with feet (not included).



32 l/mn at 3 bars.

- Stainless steel trough of 57 litres linking sturdiness and food safety. With slanted bottom for easier cleaning and specially folded non-spill edge to minimize water loss and avoid splashing. Only 105 cm long: can easily be installed instead of a cubicle or between two rows of cubicles.
- Compact valve protected by a stainless steel cover that can be removed without tools (brass elbow, 1/2" M supplied. Stainless steel braided hose not included).
- "Hands dry" Ø100 mm drain plug.

Material: stainless steel



PART NO.	
7028188	Rapid-drain trough, type GV110

# DRINKERS

Frost-free products



## Stainless steel drinking bowl with outer shell in enamelled cast iron and pre-installed 80 W / 24 V heating element for frost protection

Stainless steel drinking bowl with outer shell in enamelled cast iron and pre-installed 30 or 80 W / 24 V heating element for frost protection.

Sturdy, deep, non-spill and compact.

Connection 1/2" (15x21) female from top / bottom.

Four fixing points Ø14 mm.

- Stainless steel bowl and valve.
  - The push tube with jet breaker supplies water without splashing.
  - Drain plug.
  - The heating element surrounds both bowl and valve.
- 18 l/mn at 3 bars

Material: stainless steel



PART NO.	
7028196	Stainless steel drinking bowl with outer shell in enamelled cast iron and pre-installed 80 W / 24 V heating element for frost protection



## Thermalint frost protection

Protects the waterworks against frost.

Complete with thermostat and an earthed 2-pin plug with BS approved adaptor.

PART NO.	CAPACITY W	LENGTH m	VOLTAGE
0880502	32	2	230VAC
0880503	64	4	230VAC
0880505	128	8	230VAC
0880509	192	12	230VAC
0880513	288	18	230VAC
0880514	384	24	230VAC

## For Pasture

### Trough, type BS

Circular troughs in Polychoc™ HDPE to water herds of cattle or horses on pasture (Not suitable for indoor use).

Renowned quality for more than 25 years.

10 years guarantee against all manufacturing defects.

- Very sturdy inside edge.
- Compartment provided for optional valve (not included) with side protection of water supply line.
- Large rectangular quick discharge "VIDE-VITE".
- Quick and easy to clean.
- Ground anchoring possible (not included).

Material: PE



PART NO.	TYPE	CONTENT ltr
7028178	BS400	400
7028179	BS600	600
7028180	BS1000	1000
7028181	BS1500	1500



### Trough, type Polychoc

The PREBAC troughs are non-deforming, sturdy, practical as well as light thanks to the special material of which they are made:

POLYCHOC™ polyethylene. This pure high-density polyethylene is food-safe, UV-resistant and recyclable.

Oval models of 950, 550 and now 400 litres. Model 400l (height 40 cm) designed for sheep and ponies.

- These sturdy troughs keep their shape when filled.
- Compartment provided for optional valve (not included) with side protection of water supply line.
- Easily loaded and transported on board of a vehicle.
- Large rectangular quick discharge "VIDE-VITE".
- Quick and easy to clean.
- Ground anchoring possible (not included).

Material: PE



PART NO.	TYPE	CONTENT ltr
7028182	Polychoc™	400
7028183	Polychoc™	550
7028184	Polychoc™	950



# DRINKERS

For Pasture



## Pasture pump alone with fitting 1" MM (26x34 mm)

Pasture pump with very easily operated mechanism that has been tried and tested for over more than 20 years, for cattle and horses.  
Pumps up to 7 m depth or 70 m length.  
Flow rate of 0,5 l /pushing.

- Trough in polyethylene: Rust-resistant, UV-resistant and unbreakable, whereas the cast trough.
- Learning process facilitated by small water reserve visible on the bottom of the bowl.
- The push rod surrounds the mechanism to avoid accidents.
- Reliable and sturdy: Ø 12 mm axe.



PART NO.	
7028177	Pasture pump alone with fitting 1" MM (26x34 mm)



## Float-valve unit

Float-valve unit in stainless 10/10 steel to be mounted on all types of drinking troughs.  
Large mounting brackets.  
Synthetic valve, rustproof, regardless of the water quality.  
The height of the float valves can be adjusted without tools.  
Individual water shut-off without extra shut-off valve.

Material: stainless steel



PART NO.	SIZE
7028200	1/2"



## Float valve for PREBAC, 32 l/mn (at 3 bars), (max. pressure: 6 bars) - 1/2" male brass elbow fitting included

Float-valve unit in stainless 10/10 steel to be mounted on all types of drinking troughs.  
Large mounting brackets.  
Synthetic valve, rustproof, regardless of the water quality.  
The height of the float valves can be adjusted without tools.  
Individual water shut-off without extra shut-off valve.

Connection: male thread



PART NO.	SIZE
7028201	1/2"



### Float valve, type VGD

Reliable and durable, synthetic and stainless steel valve, rustproof, designed to fill drinking troughs or tanks in record time.

Measured flows: 72 l/min and 100 l/min from 3 bars.

Adjustable water level without tool.

½" (15x21) male connection.



PART NO.	FLOW RATE
7028202	72 l/min
7028203	100 l/min



## For Sheep & Goats

### Cast iron with Polycoat drinking bowl with float valve

Small cast-iron bowl with constant level, ideal for 10 to 15 goats or sheep from a very early age on.

5 l/min at 3 bars.

- Very sturdy 2,5 litres bowl of grey cast iron.
- Stainless steel valve cover.
- Drain system without tools.
- ½" M water supply from right or left.

L. 26 x W. 25 x H. 17 cm. Centres: 110 mm - Ø14 mm

Material: cast iron



PART NO.	
7028173	Cast iron with Polycoat drinking bowl with float valve



### Cast iron with Polycoat drinking bowl - Brass ¾" valve with T

Educational cast iron bowl designed for the «little snouts» (sheep, goats, young animals...).

The small amount of remaining water below the valve stimulates the animals to push the tube.

A pressure of 300g on the push tube is enough to open the valve.

18 l/mn at 3 bars.

Connection to loop possible with T ¾" (20 x 27 mm).

Four fixing points

With T fitting for circulation system connection

Material: cast iron



PART NO.	
7028174	Cast iron with Polycoat drinking bowl - Brass ¾" valve with T



# DRINKERS

For Pigs



## Stainless steel drinking bowl for fatteners up to 130 kg

Reinforced stainless steel valve.  
Centres: 80 mm - Ø 8 mm.

Our drinking bowls for pigs are made of nondeforming polished stainless steel and are available in different models adjusted to the pigs' age.  
Stainless steel valve with ½" male gas connection.

Adjustable flow rate.

Two to four oblong mounting holes allow you to make up for poor wall drilling.  
The drinking bowls have to be mounted to the wall using a stainless steel fixture (not included).

Material: stainless steel



PART NO.	
7028206	Stainless steel drinking bowl for fatteners up to 130 kg



## Stainless steel bowl for fatteners from 25 to 110 kg

Centres: 80 mm - Ø 8 mm.

Our drinking bowls for pigs are made of nondeforming polished stainless steel and are available in different models adjusted to the pigs' age.  
Stainless steel valve with ½" male gas connection.

Adjustable flow rate.

Two to four oblong mounting holes allow you to make up for poor wall drilling.  
The drinking bowls have to be mounted to the wall using a stainless steel fixture (not included).



PART NO.	
7028214	Stainless steel bowl for fatteners from 25 to 110 kg



## Stainless steel drinking bowl for weaners

Centres: 70 mm - Ø 8 mm.

Our drinking bowls for pigs are made of nondeforming polished stainless steel and are available in different models adjusted to the pigs' age.  
Stainless steel valve with ½" male gas connection.

Adjustable flow rate.

Two to four oblong mounting holes allow you to make up for poor wall drilling.  
The drinking bowls have to be mounted to the wall using a stainless steel fixture (not included).

Material: stainless steel



PART NO.	
7028207	Stainless steel drinking bowl for weaners

**Stainless steel drinking bowl for individual sows, groups, mixed maternity (sows, piglets) and boars**

Reinforced stainless steel valve.  
Four fixing points Ø 10,5 mm.  
Centres: 88 mm and 103 mm.

Our drinking bowls for pigs are made of nondeforming polished stainless steel and are available in different models adjusted to the pigs' age.  
Stainless steel valve with 1/2" male gas connection.

Adjustable flow rate.  
Two to four oblong mounting holes allow you to make up for poor wall drilling.  
The drinking bowls have to be mounted to the wall using a stainless steel fixture (not included).

Material: stainless steel



PART NO.	
7028208	Stainless steel drinking bowl for individual sows, groups, mixed maternity (sows, piglets) and boars



**Stainless steel drinking bowl for maternity**

Centres: 70 mm - Ø 8 mm  
Our drinking bowls for pigs are made of nondeforming polished stainless steel and are available in different models adjusted to the pigs' age.  
Stainless steel valve with 1/2" male gas connection.

Adjustable flow rate.  
Two to four oblong mounting holes allow you to make up for poor wall drilling.  
The drinking bowls have to be mounted to the wall using a stainless steel fixture (not included).

Material: stainless steel



PART NO.	
7028209	Stainless steel drinking bowl for maternity



**Stainless steel finger moistener, Mini. flow rate: 0,3 l/mn - Maxi : 3,5 l/mn, Fitting 3/8" (12x17) male**

With flow rate adjustment in upper half  
Connection: male thread  
Material : stainless steel



PART NO.	SIZE
7028210	3/8"



# DRINKERS

For Pigs



**Stainless steel finger moistener, POUSTUBE MALE, Mini. flow rate: 0,6 l/min. (0.16 USG) - Fitting 1/2" M**

With flow rate adjustment in upper half.

- Avoids injuries due to the specific design.
- No jams: the mechanism is protected from the animals.

Connection: male thread

Material : stainless steel



PART NO.	SIZE
7028211	1/2"



**Watering nipples, Directo Premium 90 : For fattening, sows and boars, Body Ø 23 mm - 1/2" M fitting**

Watering nipples with adjustable flow rate without disassembly.

The Directo Premium watering nipple is designed to optimise water consumption in different stages of pig farming.

The flow rate is adjusted without disassembly, to the water pressure in the system and the type of animal: less spilling, decrease the slurry volume and control of the production costs.

Any deposits in the water lines can be drained by fully opening the set screw.

To shut off the water supply you only have to fully tighten the set screw.

1/2" male fitting. Suitable for low and standard pressure.

Long life guaranteed by its 3 stainless steel parts (body, tube and spring)

Connection: male thread



PART NO.	SIZE	DIAMETER mm
7028212	1/2"	23
7028213	1/2"	19



**Drinker bracket 15°**

Connection : female thread  
 Material : malleable cast iron  
 Surface treatment: galvanised

PART NO.	SIZE
1200000	1/2"



**Drinker bracket 30°**

Connection : female thread  
 Material : malleable cast iron  
 Surface treatment: galvanised

PART NO.	SIZE
1200014	1/2"
1200002	3/4" x 1/2"
1200003	3/4"



**Drinker bracket 45°**

Connection : female thread  
 Material : malleable cast iron  
 Surface treatment: galvanised

PART NO.	SIZE
1200001	1/2"



**Drinker bracket 15°**

Connection: female thread  
 Material : stainless steel 304

PART NO.	SIZE
1240000	1 1/4"-1 1/2" x 1/2"



**Drinker bracket 30°**

Connection: female thread  
 Material : stainless steel 304

PART NO.	SIZE
1240001	1/2"



**Drinker bracket 45°**

Connection: female thread  
 Material : stainless steel 304

PART NO.	SIZE
1240002	1/2"



**Pipe nipple drinker holder 30°**

Connection: male thread x female thread  
 Material : stainless steel 304

PART NO.	SIZE	LENGTH mm
1200130	1/2"	500
1200131	1/2"	750
1200132	1/2"	1000



**Pipe nipple drinking holder 30°**

Connection: male thread  
 Material : stainless steel 304

PART NO.	SIZE	LENGTH mm
7010086	1/2"	750
7010085	1/2"	1000

# DRINKERS

For Pigs



## Pipe nipple drinking holder 30°

Connection: female thread  
Material : stainless steel 304  
Type : without PVC clamp  
Type : with double outlet

PART NO.	SIZE	LENGTH mm
7010089	1/2"	1000



## Safety bracket for pipe nipple holder

Material: stainless steel 304

PART NO.
7009442



## Pipe nipple drinker holder 30°

Connection: male thread x female thread x female thread  
Material : stainless steel 304

PART NO.	SIZE	LENGTH mm
1200142	1/2"	500



## Nr. 23 stainless steel pipe nipple

Connection: male thread  
Material : stainless steel 304

PART NO.	SIZE	LENGTH mm
1200139	1/2"	500
1200140	1/2"	750
1200141	1/2"	1000



## Adjustable Pipe clamp

Material: stainless steel 304

PART NO.	SIZE	SUITABLE FOR
7010087	1/2"	stainless steel pipe



## Mega pipe nipple drinking holder 45°

Connection: female thread x male thread  
Material : stainless steel 304

PART NO.	SIZE	LENGTH mm	TYPE
7007293	1/2"	750	1 outlet
7007294	1/2"	1000	2 outlets
7007295	1/2"	1000	1 outlet



## Pipe nipple drinker holder, model T

Connection: male thread x female thread x female thread  
Material : stainless steel 304

PART NO.	SIZE	LENGTH mm
1200148	1/2"	1000



## Pipe nipple

Connection: male thread x female thread  
Material : stainless steel 304

PART NO.	SIZE	LENGTH mm
1200136	1/2"	500
1200137	1/2"	750
1200138	1/2"	1000



**Profec Clamp saddle**  
 Connection : clamp x female thread  
 Material : brass  
 Surface treatment: nickel plated

PART NO.	SIZE
1209015	3/4"-1" x 1/2"



**Profec Clamp saddle**  
 Connection: clamp x female thread  
 Material : brass

PART NO.	SIZE
1209023	1 1/4"-1 1/2" x 1/2"



**Profec Clamp saddle**  
 Connection: clamp x female thread  
 Material : brass

PART NO.	SIZE
1209021	3/4"-1" x 1/2"

## Accessories



**Footbath for cattle**  
 HDPE footbath for cattle, with antiskid bottom. The large ribs on the base open the hooves enough to penetrate them well with the treatment product.  
 Material: PE



PART NO.	SIZE
7028204	



**Footbath for disinfection of boots**  
 Footbath for disinfection of boots, with antiskid bottom.



PART NO.	SIZE
7028205	

## Protection frame in galvanised steel suitable for F11, FORSTAL, F30, F130, LAC 5, LAC 10, Wall or corner mounting

Wall or corner mounting - fits brackets A331  
 Dimensions: D 366 x W 334 x H 235 mm

Material: galvanised steel



PART NO.	SIZE
7028198	Protection frame in galvanised steel suitable for F11, FORSTAL, F30, F130, LAC 5, LAC 10, Wall or corner mounting





# PLASTIC PRESSURE PIPING SYSTEMS

PVC Pressure Pipe, Metric

PVC Pressure Fittings, Metric

PVC Pressure Pipe, Imperial

PVC Pressure Fittings, Imperial Grey

PVC Ring Seal Pressure Pipes and Fittings, Metric

Cast Iron Ring Seal Pressure Fittings for PE/PVC Pipes, Metric

PVC/PP Valves, Metric

PVC Valves, Imperial

PE Pipes, In Coils

PE Pipes, Straight Lengths

Compression Fittings, Jason

Compression Fittings, PN10

Transition Compression Fittings, Universal

PP Saddles for PE / PVC Pipes

Jason PE100 Electrofusion and Butt Welding Fittings

VDL PE100 Electrofusion and Butt Welding Fittings

Speedfit Pipes and Fittings

Super-Speedfit Pipes and Fittings

PVC Hose Tails

PP Hose Tails, Grey

DRINKERS

PLASTIC PRESSURE PIPING SYSTEMS

FASTENERS AND ADHESIVES

CLAMPS

METAL VALVES

COUPLINGS AND ACCESSORIES

HOSES

METAL PIPES AND FITTINGS

MEASUREMENT, REGULATION AND FILTRATION

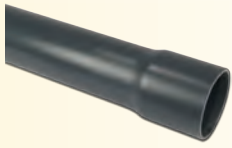
PUMPS, PRESSURE TANKS AND ACCESSORIES

TANKS

CLIMATE

# PLASTIC PRESSURE PIPING SYSTEMS

PVC Pressure Pipe, Metric



## Pressure pipe, 7,5 bar

Connection : glue socket x plain

Material : PVC-U

Colour : grey

PART NO.	SIZE	WALL THICKNESS mm	LENGTH m	PRESSURE bar	CRATE
0305000	50 mm	2,0	5	7,5	1075
0306300	63 mm	2,0	5	7,5	700
0307500	75 mm	2,2	5	7,5	500
0309000	90 mm	2,7	5	7,5	315
0309001	110 mm	3,3	5	7,5	215
0309002	125 mm	3,7	5	7,5	190
0309003	160 mm	4,7	5	7,5	110
0309004	200 mm	5,9	5	7,5	70
0309005	250 mm	7,3	5	7,5	70
0309006	315 mm	9,2	5	7,5	40



## Pressure pipe, 10 bar

Connection : glue socket x plain

Material : PVC-U

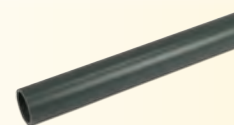
Colour : grey

PART NO.	SIZE	WALL THICKNESS mm	LENGTH m	PRESSURE bar	CRATE
0302000	20 mm	1,3	5	10	4380
0309025	25 mm	1,5	5	10	4455
0303179	32 mm	1,6	5	10	2595
0309040	40 mm	1,9	5	10	1595
0309050	50 mm	2,4	5	10	1075
0309063	63 mm	2,4	5	10	700
0309075	75 mm	2,9	5	10	500
0309090	90 mm	3,5	5	10	315
0309091	110 mm	4,2	5	10	215
0309092	125 mm	4,8	5	10	190
0309093	140 mm	5,4	5	10	130
0309094	160 mm	6,2	5	10	110
0309095	200 mm	7,7	5	10	70
0309098	225 mm	8,6	5	10	55
0309096	250 mm	9,6	5	10	55
0309097	315 mm	12,1	5	10	45

### Pressure pipe according to ISO / DIN, 10 bar

Connection : plain  
 Material : PVC-U  
 Colour : grey

PART NO.	SIZE	WALL THICKNESS mm	LENGTH m	ISO 1452	DIN 8061
0309161	63 mm	3,0	6	PN10	PN10



### Pressure pipe according to ISO, 12,5 bar

Connection : glue socket x plain  
 Material : PVC-U  
 Colour : grey

PART NO.	SIZE	WALL THICKNESS mm	LENGTH m	ISO 1452	CRATE
0309230	63 mm	3,8	5	PN12,5	700
0309231	75 mm	4,5	5	PN12,5	500
0309232	90 mm	5,4	5	PN12,5	315



### Pressure pipe according to ISO / DIN, 16 bar

Connection : glue socket x plain  
 Material : PVC-U  
 Colour : grey

PART NO.	SIZE	WALL THICKNESS mm	LENGTH m	ISO 1452	DIN 8061	CRATE
0329121	20 mm	1,5	5	PN16	PN16	4380
0329126	25 mm	1,9	5	PN16	PN16	4455
0329133	32 mm	2,4	5	PN16	PN16	2595
0329141	40 mm	3,0	5	PN16	PN16	1595
0309229	50 mm	3,7	5	PN16	PN16	1075
0309159	63 mm	4,7	5	PN16	PN16	700
7018027	75 mm	5,6	5	PN16	PN16	500
7018028	90 mm	6,7	5	PN16	PN16	315



### Pressure pipe according to ISO, 16 bar

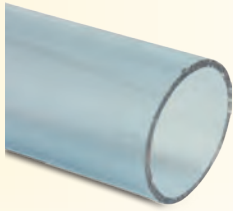
Connection : glue socket x plain  
 Material : PVC-U  
 Colour : grey

PART NO.	SIZE	WALL THICKNESS mm	LENGTH m	ISO 1452	CRATE
0309233	110 mm	6,6	5	PN16	215
0309234	125 mm	7,4	5	PN16	190
0309235	160 mm	9,5	5	PN16	110



# PLASTIC PRESSURE PIPING SYSTEMS

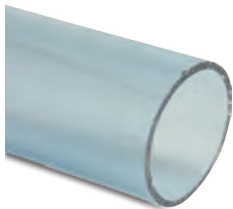
PVC Pressure Pipe, Metric



## Pressure pipe according to ISO

Connection : plain  
Material : PVC-U  
Colour : transparent

PART NO.	SIZE	WALL THICKNESS mm	LENGTH m	ISO 1452
0340020	40 mm	2,0	5	PN10
0340021	50 mm	2,4	5	PN10
0340022	63 mm	3,0	5	PN10
0340023	75 mm	3,6	5	PN10
0340024	90 mm	4,3	5	PN10



## Pressure pipe according to ISO

Connection : plain  
Material : PVC-U  
Colour : transparent

PART NO.	SIZE	WALL THICKNESS mm	LENGTH m	ISO 1452
0340018	25 mm	1,5	5	PN12,5
0340019	32 mm	1,9	5	PN12,5
0340025	110 mm	5,3	5	PN12,5



## Pressure pipe according to ISO

Connection : plain  
Material : PVC-U  
Colour : transparent

PART NO.	SIZE	WALL THICKNESS mm	LENGTH m	ISO 1452
0340001	20 mm	1,5	5	PN16
0340026	25 mm	1,9	5	PN16
0340027	32 mm	2,4	5	PN16
0340028	40 mm	3,0	5	PN16
0340029	50 mm	3,7	5	PN16
0340030	63 mm	4,7	5	PN16



### Threading pipe

Connection : plain

Material : PP

Max. temp. : 80 °C

PART NO.	SIZE	WALL THICKNESS mm	LENGTH m	COLOUR	PRESSURE bar
0330012	1/2"	3,5	5	grey	10
0330018	3/4"	4,6	5	grey	10
0330025	1"	5,1	5	grey	10
7004265	1/2"	3,5	5	blue	10
7004266	3/4"	4,6	5	blue	10
7004267	1"	5,1	5	blue	10

### Threading pipe

Connection : plain

Material : PVC-U

Colour : grey

PART NO.	SIZE	WALL THICKNESS mm	LENGTH m	PRESSURE bar
0330042	1/2"	3,2	4	10
0330043	3/4"	4,8	4	10
0330044	1"	5,5	4	10
0330045	1 1/4"	6,35	4	10



# PLASTIC PRESSURE PIPING SYSTEMS

## PVC Pressure Fittings, Metric



**Mega Union coupler**  
 Connection : glue socket  
 Material : PVC-U  
 Colour : grey



PART NO.	SIZE	PRESSURE bar	PACKAGING pcs	
0110070	16 mm	16	10	100
0110071	20 mm	16	10	100
0110072	25 mm	16	10	50
0110073	32 mm	16	10	30
0110074	40 mm	16	1	75
0110075	50 mm	16	1	60
0110076	63 mm	16	1	36
0110077	75 mm	10	1	16
0110078	90 mm	10	1	12
0110079	110 mm	10	1	6



**Union coupler**  
 Connection : glue socket x spigot  
 Material : PVC-U  
 Colour : grey



PART NO.	SIZE	PRESSURE bar	PACKAGING pcs	
0100430	50 mm	10	1	72
0100431	63 mm	10	1	12



**Union coupler**  
 Connection : glue socket x female thread  
 Material : PVC-U  
 Colour : grey



PART NO.	SIZE	PRESSURE bar	PACKAGING pcs	
0110080	16 mm x 3/8"	10	10	100
0110081	20 mm x 1/2"	10	10	100
0110082	25 mm x 3/4"	10	10	50
0110083	32 mm x 1"	10	10	30
0110084	40 mm x 1 1/4"	10	1	75
0110085	50 mm x 1 1/2"	10	1	60
0110086	63 mm x 2"	10	1	36
0110087	75 mm x 2 1/2"	10	1	16
0110088	90 mm x 3"	10	1	12
0110089	110 mm x 4"	10	1	5



**Union coupler**  
 Connection : glue socket x male thread  
 Material : PVC-U  
 Colour : grey



PART NO.	SIZE	PRESSURE bar	PACKAGING pcs	
0110090	16 mm x 3/8"	10	10	100
0110091	20 mm x 1/2"	10	10	90
0110092	25 mm x 3/4"	10	10	50
0110093	32 mm x 1"	10	10	30
0110094	40 mm x 1 1/4"	10	1	70
0110095	50 mm x 1 1/2"	10	1	60
0100364	50 mm x 2"	10	1	50
0110096	63 mm x 2"	10	1	36
0100119	75 mm x 2 1/2"	10	1	16
0100122	90 mm x 3"	10	1	10
0100123	110 mm x 4"	10	1	4



**Union coupler**  
 Connection : female thread  
 Material : PVC-U  
 Colour : grey



PART NO.	SIZE	PRESSURE bar	PACKAGING pcs	
0100111	1/2"	10	10	100
0100112	3/4"	10	10	50
0100113	1"	10	10	30
0100114	1 1/4"	10	1	75
0100115	1 1/2"	10	1	60
0100116	2"	10	1	30

You can find a larger selection on our webshop



### Union coupler

Connection : female thread x male thread  
 Material : PVC-U  
 Colour : grey



PART NO.	SIZE	PRESSURE bar	PACKAGING pcs	
0100100	1/2"	10	10	90
0100101	3/4"	10	10	50
0100102	1"	10	10	30
0100103	1 1/4"	10	1	70
0100104	1 1/2"	10	1	60
0100105	2"	10	1	30



### Mega O-ring for 16 bar union couplers

Material: NBR  
 Colour : black



PART NO.	SIZE	MOQ
0110881	16 mm	10
0110882	20 mm	10
0110884	32 mm	10
0110885	40 mm	10
0110886	50 mm	10
0110887	63 mm	10
0100805	75 mm	5
0100806	90 mm	1
0100807	110 mm	1



### Mega Union coupler with O-ring

Connection : glue socket x male thread  
 Material : PVC-U  
 Colour : grey



PART NO.	SIZE	PRESSURE bar
0100432	50 mm x 1 1/2"	10
0100436	50 mm x 2"	10
0100433	63 mm x 2"	10



### Union adaptor

Connection : glue socket x female thread  
 Material : PVC/stainless steel  
 Colour : grey



PART NO.	SIZE	PRESSURE bar
0102100	20 mm x 1/2"	10
0102101	25 mm x 3/4"	10
0102102	32 mm x 1"	10
0102103	40 mm x 1 1/4"	10
0102104	50 mm x 1 1/2"	10
0102105	63 mm x 2"	10
0102106	75 mm x 2 1/2"	10



### Union adaptor

Connection : glue socket x male thread  
 Material : PVC/stainless steel  
 Colour : grey



PART NO.	SIZE	PRESSURE bar
0102110	20 mm x 1/2"	10
0102111	25 mm x 3/4"	10
0102112	32 mm x 1"	10
0102113	40 mm x 1 1/4"	10
0102114	50 mm x 1 1/2"	10
0102115	63 mm x 2"	10
0102116	75 mm x 2 1/2"	10



### Mega Union coupler, made from tubing

Connection : glue socket x glue socket/glue spigot  
 Material : PVC-U  
 Colour : grey



PART NO.	SIZE	PRESSURE bar	PACKAGING pcs	
0110021	32 mm x 32/40 mm	16	10	120

You can find a larger selection on our webshop

# PLASTIC PRESSURE PIPING SYSTEMS



**Mega 2/3 Union coupler, made from tubing**

Connection : glue socket x female threaded nut

Material : PVC-U  
Colour : grey



PART NO.	SIZE	PRESSURE bar	PACKAGING pcs	
0110032	32 mm x 1 1/4"	16	1	50



**Long bend 90°, made from tubing**

Connection : glue socket

Material : PVC-U  
Colour : grey

Type : made from tubing



PART NO.	SIZE	PRESSURE bar	PACKAGING pcs	
0110201	32 mm	16	1	150
0110202	40 mm	16	1	100
0110203	50 mm	16	1	80
0110204	63 mm	16	1	45
0110205	75 mm	16	1	25
0110206	90 mm	16	1	15



**Mega Long bend 80°, wet feed systems**

Connection : glue socket

Material : PVC-U  
Colour : grey

Type : made from tubing



PART NO.	SIZE	RADIUS mm	PRESSURE bar
7015317	63 mm	94.5	10

## PVC Pressure Fittings, Metric



**O-ring for coupler, made from tubing**

Material : NBR  
Colour : black

PART NO.	SIZE	MOQ
0110873	32 mm	50



**Long bend 90°, made from tubing**

Connection : glue socket

Material : PVC-U  
Colour : grey

Type : made from tubing



PART NO.	SIZE	PRESSURE bar	PACKAGING pcs	
0110188	32 mm	10	1	100
0110189	40 mm	10	1	200
0110190	50 mm	10	1	100
0110191	63 mm	10	1	60
0110192	75 mm	10	1	35
0110193	90 mm	10	1	20
0110194	110 mm	12,5	1	10
0110195	125 mm	12,5	1	6
0110235	140 mm	12,5	1	5
0110196	160 mm	12,5	1	5
0110197	200 mm	12,5	1	1
0100020	225 mm	12,5	1	1
0110198	250 mm	12,5	1	1
0100021	280 mm	12,5	1	1
0110199	315 mm	10	1	1



**Long bend 90°, wet feed systems**

Connection : glue socket

Material : PVC-U  
Colour : grey



PART NO.	SIZE	RADIUS mm	PRESSURE bar
0110244	63 mm	175	10

You can find a larger selection on our webshop





**Long bend 45°, made from tubing**

Connection : glue socket  
 Material : PVC-U  
 Colour : grey  
 Type : made from tubing



PART NO.	SIZE	PRESSURE bar	MOQ
0110226	32 mm	16	10
0110227	40 mm	16	1
0110228	50 mm	16	1
0110229	63 mm	16	1
0110230	75 mm	16	1
0110231	90 mm	16	1



**Long bend 45°, made from tubing**

Connection : glue socket  
 Material : PVC-U  
 Colour : grey  
 Type : made from tubing



PART NO.	SIZE	PRESSURE bar	MOQ
0110211	32 mm	10	20
0110212	40 mm	10	1
0110213	50 mm	10	1
0110214	63 mm	10	1
0110215	75 mm	10	1
0110216	90 mm	10	1
0110217	110 mm	12,5	1
0110218	125 mm	12,5	1
0110219	140 mm	12,5	1
0110220	160 mm	12,5	1
0110221	200 mm	12,5	1
0100024	225 mm	10	1
0110222	250 mm	12,5	1
0100025	280 mm	10	1
0110223	315 mm	10	1



**Long bend 30°, made from tubing**

Connection : glue socket  
 Material : PVC-U  
 Colour : grey



PART NO.	SIZE	PRESSURE bar
0100751	90 mm	12,5
0100752	110 mm	12,5
0100753	125 mm	12,5
0100754	140 mm	12,5
0100755	160 mm	12,5
0100756	200 mm	12,5
0100385	225 mm	10
0100386	250 mm	10
0100388	315 mm	10



**Long bend 15°, made from tubing**

Connection : glue socket x glue spigot  
 Material : PVC-U  
 Colour : grey  
 Type : made from tubing



PART NO.	SIZE	PRESSURE bar
0100045	90 mm	12,5
0100046	110 mm	12,5
0100047	125 mm	12,5
0100048	140 mm	12,5
0100049	160 mm	12,5
0100050	200 mm	12,5
0100749	225 mm	12,5
0100051	250 mm	12,5
0100052	315 mm	12,5



**Long bend 22°, made from tubing**

Connection : glue socket  
 Material : PVC-U  
 Colour : grey  
 Type : made from tubing



PART NO.	SIZE	PRESSURE bar
0100743	90 mm	12,5
0100744	110 mm	12,5
0100745	125 mm	12,5
0100746	140 mm	12,5
0100747	160 mm	12,5
0100748	200 mm	12,5

You can find a larger selection on our webshop

# PLASTIC PRESSURE PIPING SYSTEMS



**Profec Elbow 90°**  
 Connection : glue socket  
 Material : PVC-U  
 Colour : grey



PART NO.	SIZE	PRESSURE bar	PACKAGING pcs	
0110104	12 mm	16	50	600
0110105	16 mm	16	10	600
0111823	20 mm	16	10	170
0111824	25 mm	16	10	90
0110100	32 mm	16	10	50
0110101	40 mm	16	1	120
0110102	50 mm	16	1	64
0110103	63 mm	16	1	32
0110112	75 mm	16	1	20
0110113	90 mm	16	1	12
0110114	110 mm	16	1	16
0110115	125 mm	16	1	12
0110116	140 mm	16	1	8
0110117	160 mm	16	1	5
0110118	200 mm	10	1	2
0100010	225 mm	10	1	2
0100011	250 mm	10	1	1
0100012	280 mm	10	1	1
0100013	315 mm	10	1	1



**Elbow 90° adaptor**  
 Connection : glue socket x female thread  
 Material : PVC-U  
 Colour : grey  
 Type : reinforced



PART NO.	SIZE	PRESSURE bar
0110167	20 mm x 1/2"	16
0110168	25 mm x 3/4"	16
0110169	32 mm x 1"	16
0110170	40 mm x 1 1/4"	16
0110171	50 mm x 1 1/2"	16
0110172	63 mm x 2"	16

## PVC Pressure Fittings, Metric



**Elbow 90° reducing**  
 Connection : glue socket/glue spigot x glue socket  
 Material : PVC-U  
 Colour : grey



PART NO.	SIZE	PRESSURE bar	PACKAGING pcs	
0110135	32/40 mm x 40 mm	10	1	125
0110136	32/40 mm x 50 mm	10	1	70
0110097	40/50 mm x 50 mm	10	1	70
0110098	50/63 mm x 63 mm	10	1	30



**Elbow 90° reducing**  
 Connection : glue socket x female thread  
 Material : PVC-U  
 Colour : grey



PART NO.	SIZE	PRESSURE bar
0110159	16 mm x 3/8"	10
0110160	20 mm x 1/2"	10
0110161	25 mm x 3/4"	10
0110162	32 mm x 1"	10
0110163	40 mm x 1 1/4"	10
0110164	50 mm x 1 1/2"	10
0110165	63 mm x 2"	10
0110174	90 mm x 3"	10
0110175	110 mm x 4"	10

You can find a larger selection on our webshop



### Mega Elbow 90° PVC-U glue socket x male thread 10 bar

Connection : glue socket x male thread

Material : PVC-U  
Colour : grey



PART NO.	SIZE	PRESSURE bar	PACKAGING pcs	
0110140	32 mm x 3/4"	10	10	50
0110141	32 mm x 1"	10	10	40
0110142	32 mm x 1 1/4"	10	1	140
0110143	40 mm x 1 1/4"	10	1	35
0110144	40 mm x 1 1/2"	10	1	35
0110145	50 mm x 1 1/4"	10	1	20
0110146	50 mm x 1 1/2"	10	1	20
0110147	50 mm x 2"	10	1	15
0100120	63 mm x 2"	10	1	10



### Elbow 90° threaded

Connection : female thread

Material : PVC-U  
Colour : grey



PART NO.	SIZE	PRESSURE bar	PACKAGING pcs	
0110150	1/2"	10	10	120
0110151	3/4"	10	10	70
0110152	1"	10	10	40
0110153	1 1/4"	10	1	25
0110154	1 1/2"	10	1	15
0110155	2"	10	1	10
0110156	2 1/2"	10	1	6
0110157	3"	10	1	12



### Elbow 90°

Connection : female thread

Material : PVC-U  
Colour : grey  
Type : reinforced



PART NO.	SIZE	PRESSURE bar	PACKAGING pcs	
0100300	1/2"	10	10	120
0100301	3/4"	10	10	70
0100302	1"	10	10	40
0100303	1 1/4"	10	1	25
0100304	1 1/2"	10	1	15
0100305	2"	10	1	10



### Elbow 90°, reducing

Connection : female thread

Material : PVC-U  
Colour : grey



PART NO.	SIZE	PRESSURE bar	PACKAGING pcs	
0100349	3/4" x 1/2"	10	10	90



### Elbow 90°, reducing

Connection : female thread

Material : PVC-U  
Colour : grey  
Type : reinforced



PART NO.	SIZE	PRESSURE bar	PACKAGING pcs	
0100350	3/4" x 1/2"	10	10	90



### Wall bracket 90°

Connection : glue socket x female thread

Material : PVC-U/brass  
Colour : grey



PART NO.	SIZE	PRESSURE bar	PACKAGING pcs	
0102030	20 mm x 1/2"	10	10	40

You can find a larger selection on our webshop

# PLASTIC PRESSURE PIPING SYSTEMS

## PVC Pressure Fittings, Metric



### Profec Elbow 45°

Connection : glue socket  
Material : PVC-U  
Colour : grey



### Elbow 45°

Connection : glue socket/glue spigot x glue socket  
Material : PVC-U  
Colour : grey



PART NO.	SIZE	PRESSURE bar	PACKAGING pcs	
0100742	12 mm	16	50	650
0110119	16 mm	16	10	360
0111825	20 mm	16	10	200
0111826	25 mm	16	10	100
0111900	32 mm	16	10	60
0111901	40 mm	16	1	150
0110133	50 mm	16	1	80
0110134	63 mm	16	1	40
0110126	75 mm	16	1	24
0110127	90 mm	16	1	14
0110128	110 mm	16	1	20
0110129	125 mm	16	1	16
0110130	140 mm	16	1	10
0110131	160 mm	16	1	6
0110132	200 mm	10	1	2
0100015	225 mm	10	1	2
0100016	250 mm	10	1	2
0100017	280 mm	10	1	1
0100018	315 mm	10	1	1

PART NO.	SIZE	PRESSURE bar	PACKAGING pcs	
0110068	40/50 mm x 50 mm	10	1	90
0110069	50/63 mm x 63 mm	10	1	50



### Profec T-piece 90°

Connection : glue socket  
Material : PVC-U  
Colour : grey



PART NO.	SIZE	PRESSURE bar	PACKAGING pcs	
0110250	12 mm	16	50	600
0110251	16 mm	16	10	360
0111827	20 mm	16	10	100
0111828	25 mm	16	10	50
0110245	32 mm	16	10	30
0110246	40 mm	16	1	70
0110247	50 mm	16	1	50
0110248	63 mm	16	1	26
0110258	75 mm	16	1	14
0110259	90 mm	16	1	24
0110260	110 mm	16	1	12
0110261	125 mm	16	1	8
0110262	140 mm	16	1	5
0110263	160 mm	16	1	4
0110264	200 mm	10	1	1
0100028	225 mm	10	1	1
0100029	250 mm	10	1	1
0100030	280 mm	10	1	1
0100031	315 mm	10	1	1

You can find a larger selection on our webshop



### Profec T-piece 90°

Connection : glue socket  
Material : PVC-U  
Colour : grey



### T-piece 90°

Connection : glue socket x female  
thread x glue socket  
Material : PVC-U  
Colour : grey



PART NO.	SIZE	PRESSURE bar
0110285	20 mm x 16 mm x 20 mm	16
0110287	25 mm x 16 mm x 25 mm	16
0110288	25 mm x 20 mm x 25 mm	16
0110290	32 mm x 16 mm x 32 mm	16
0110291	32 mm x 20 mm x 32 mm	16
0110292	32 mm x 25 mm x 32 mm	16
0100390	40 mm x 16 mm x 40 mm	16
0110293	40 mm x 20 mm x 40 mm	16
0110294	40 mm x 25 mm x 40 mm	16
0110295	40 mm x 32 mm x 40 mm	16
0101307	50 mm x 20 mm x 50 mm	16
0110296	50 mm x 25 mm x 50 mm	16
0110297	50 mm x 32 mm x 50 mm	16
0110298	50 mm x 40 mm x 50 mm	16
0101308	63 mm x 20 mm x 63 mm	16
0110299	63 mm x 25 mm x 63 mm	16
0110300	63 mm x 32 mm x 63 mm	16
0110301	63 mm x 40 mm x 63 mm	16
0110302	63 mm x 50 mm x 63 mm	16
0110303	75 mm x 32 mm x 75 mm	16
0110304	75 mm x 40 mm x 75 mm	16
0110305	75 mm x 50 mm x 75 mm	16
0110306	75 mm x 63 mm x 75 mm	16
0110309	90 mm x 40 mm x 90 mm	16
0110310	90 mm x 50 mm x 90 mm	16
0110311	90 mm x 63 mm x 90 mm	16
0110312	90 mm x 75 mm x 90 mm	16
0110316	110 mm x 50 mm x 110 mm	16
0110317	110 mm x 63 mm x 110 mm	16
0110318	110 mm x 75 mm x 110 mm	16
0110319	110 mm x 90 mm x 110 mm	16
0110323	125 mm x 63 mm x 125 mm	16
0110324	125 mm x 75 mm x 125 mm	16
0110325	125 mm x 90 mm x 125 mm	16
0110326	125 mm x 110 mm x 125 mm	16
0110392	140 mm x 75 mm x 140 mm	16
0110394	140 mm x 110 mm x 140 mm	16
0101309	160 mm x 90 mm x 160 mm	10
0110396	160 mm x 110 mm x 160 mm	10
0101310	160 mm x 125 mm x 160 mm	10
0101311	160 mm x 140 mm x 160 mm	10

PART NO.	SIZE	PRESSURE bar
0110359	16 mm x 3/8" x 16 mm	10
0110360	20 mm x 1/2" x 20 mm	10
0100135	25 mm x 1/2" x 25 mm	10
0110361	25 mm x 3/4" x 25 mm	10
0100136	32 mm x 1/2" x 32 mm	10
0100137	32 mm x 3/4" x 32 mm	10
0110362	32 mm x 1" x 32 mm	10
0100138	40 mm x 1/2" x 40 mm	10
0100139	40 mm x 3/4" x 40 mm	10
0100140	40 mm x 1" x 40 mm	10
0110363	40 mm x 1 1/4" x 40 mm	10
0100141	50 mm x 1/2" x 50 mm	10
0100142	50 mm x 3/4" x 50 mm	10
0100143	50 mm x 1" x 50 mm	10
0110364	50 mm x 1 1/2" x 50 mm	10
0100145	63 mm x 1/2" x 63 mm	10
0100146	63 mm x 3/4" x 63 mm	10
0100147	63 mm x 1" x 63 mm	10
0110365	63 mm x 2" x 63 mm	10
0100150	75 mm x 1" x 75 mm	10
0110366	75 mm x 2 1/2" x 75 mm	10
0110398	90 mm x 3" x 90 mm	10



### T-piece 90°

Connection : glue socket x female  
thread x glue socket  
Material : PVC-U  
Colour : grey  
Type : reinforced



PART NO.	SIZE	PRESSURE bar	PACKAGING pcs	
0110368	20 mm x 1/2" x 20 mm	16	10	70
0110369	25 mm x 3/4" x 25 mm	16	10	40
0110370	32 mm x 1" x 32 mm	16	10	30
0110371	40 mm x 1 1/4" x 40 mm	16	1	20
0110372	50 mm x 1 1/2" x 50 mm	16	1	12
0110373	63 mm x 2" x 63 mm	16	1	9

You can find a larger selection on our webshop

# PLASTIC PRESSURE PIPING SYSTEMS



## T-piece 90°

Connection : glue socket x female thread x glue socket  
Material : PVC-U/brass  
Colour : grey



PART NO.	SIZE	PRESSURE bar	PACKAGING pcs	
0102040	20 mm x 1/2" x 20 mm	16	10	60
0102043	32 mm x 1/2" x 32 mm	16	10	30

## PVC Pressure Fittings, Metric



## T-piece 90°

Connection : female thread  
Material : PVC-U  
Colour : grey



PART NO.	SIZE	PRESSURE bar
0110331	3/8"	10
0110332	1/2"	10
0110333	3/4"	10
0110334	1"	10
0110335	1 1/4"	10
0110336	1 1/2"	10
0110337	2"	10
0100391	2 1/2"	10
0100392	3"	10



## T-piece 90°

Connection : female thread  
Material : PVC-U  
Colour : grey  
Type : reinforced



PART NO.	SIZE	PRESSURE bar	PACKAGING pcs	
0100306	1/2"	16	10	80
0100307	3/4"	16	10	40
0100308	1"	16	10	30
0100309	1 1/4"	16	1	20
0100310	1 1/2"	16	1	12
0100311	2"	16	1	9



## T-piece 90°, reducing

Connection : female thread  
Material : PVC-U  
Colour : grey  
Type : reinforced



PART NO.	SIZE	PRESSURE bar	PACKAGING pcs	
0100360	3/4" x 1/2" x 3/4"	16	10	50



## T-piece 45°

Connection : glue socket  
Material : PVC-U  
Colour : grey



PART NO.	SIZE	PRESSURE bar	PACKAGING pcs	
0110270	20 mm	16	80	80
0110271	25 mm	16	50	50
0110272	32 mm	16	30	30
0110273	40 mm	16	55	55
0110274	50 mm	16	1	35
0110275	63 mm	10	1	20
0110276	75 mm	10	1	11
0110279	160 mm	6	1	3



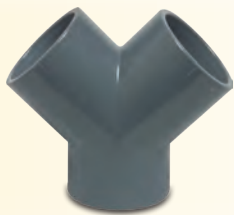
## T-piece 90°

Connection : glue socket x male thread x glue socket  
Material : PVC-U  
Colour : grey



PART NO.	SIZE	PRESSURE bar	PACKAGING pcs	
0110346	25 mm x 3/4" x 25 mm	10	10	50
0110349	32 mm x 1" x 32 mm	10	10	30

You can find a larger selection on our webshop



### Y-piece

Connection : glue socket  
Material : PVC-U  
Colour : grey



PART NO.	SIZE	PRESSURE bar	PACKAGING pcs	
0101490	50 mm	10	1	40
0101491	63 mm	10	1	24
0101399	75 mm	10	1	12



### Y-bend

Connection : glue socket  
Material : PVC-U  
Colour : grey



PART NO.	SIZE	PRESSURE bar	PACKAGING pcs	
0110268	50 mm	16	1	30
0110269	63 mm	16	1	15



### Y-piece

Connection : glue socket  
Material : ABS  
Colour : grey



PART NO.	SIZE	PRESSURE bar	PACKAGING pcs	
0101400	63 mm	10	1	50



### Cross-piece

Connection : glue socket  
Material : PVC-U  
Colour : grey



PART NO.	SIZE	PRESSURE bar	PACKAGING pcs	
0110375	20 mm	16	10	90
0110376	25 mm	16	10	40
0110377	32 mm	16	10	30
0110378	40 mm	16	1	60
0110379	50 mm	16	1	30
0110380	63 mm	16	1	20
0110381	75 mm	10	1	9
0110382	90 mm	10	1	15
0110383	110 mm	10	1	8

You can find a larger selection on our webshop

# PLASTIC PRESSURE PIPING SYSTEMS

## PVC Pressure Fittings, Metric



### Hexagon adaptor

Connection : glue socket/glue spigot x male thread  
Material : PVC-U  
Colour : grey



### Adaptor socket

Connection : glue socket/glue spigot x female thread  
Material : PVC-U  
Colour : grey



PART NO.	SIZE	PRESSURE bar	PACKAGING pcs	
0110480	12/16 mm x 3/8"	10	1	200
0110446	16/20 mm x 3/8"	10	1	1200
0110447	16/20 mm x 1/2"	10	1	1100
0110448	20/25 mm x 3/8"	10	20	140
0110449	20/25 mm x 1/2"	10	10	200
0110444	20/25 mm x 3/4"	10	10	150
0110450	25/32 mm x 1/2"	10	10	120
0110451	25/32 mm x 3/4"	10	10	120
0110452	25/32 mm x 1"	10	10	90
0110453	32/40 mm x 1/2"	10	10	60
0110454	32/40 mm x 3/4"	10	10	60
0110455	32/40 mm x 1"	10	10	60
0110456	32/40 mm x 1 1/4"	10	10	50
0110457	40/50 mm x 1"	10	1	170
0110458	40/50 mm x 1 1/4"	10	1	150
0110459	40/50 mm x 1 1/2"	10	1	140
0110460	50/63 mm x 1"	10	1	120
0110461	50/63 mm x 1 1/4"	10	1	120
0110462	50/63 mm x 1 1/2"	10	1	120
0110463	50/63 mm x 2"	10	1	80
0110464	63/75 mm x 1 1/4"	10	1	80
0110465	63/75 mm x 1 1/2"	10	1	70
0110466	63/75 mm x 2"	10	1	60
0110467	63/75 mm x 2 1/2"	10	1	45
0111200	75/90 mm x 2"	10	1	48
0111201	75/90 mm x 2 1/2"	10	1	48
0111202	75/90 mm x 3"	10	1	36
0111203	90/110 mm x 2 1/2"	10	1	20
0111204	90/110 mm x 3"	10	1	20
0111205	90/110 mm x 4"	10	1	16
0111206	110/125 mm x 3"	10	1	18
0111207	110/125 mm x 4"	10	1	12
0110432	140/160 mm x 4"	10	1	18

PART NO.	SIZE	PRESSURE bar	PACKAGING pcs	
0101375	16/20 mm x 1/4"	10	20	200
0100250	16/20 mm x 3/8"	10	20	160
0100251	16/20 mm x 1/2"	10	1	150
0100252	16/20 mm x 3/4"	10	20	120
0100253	20/25 mm x 1/2"	10	10	130
0100254	20/25 mm x 3/4"	10	10	100
0100255	20/25 mm x 1"	10	10	60
0100256	25/32 mm x 3/4"	10	10	100
0100257	25/32 mm x 1"	10	10	60
0100258	25/32 mm x 1 1/4"	10	1	50
0100259	32/40 mm x 1"	10	1	60
0100260	32/40 mm x 1 1/4"	10	1	50
0100261	32/40 mm x 1 1/2"	10	1	50
0100262	40/50 mm x 1 1/4"	10	1	40
0100263	40/50 mm x 1 1/2"	10	1	40
0100264	40/50 mm x 2"	10	1	80
0100265	50/63 mm x 1 1/2"	10	1	96
0100266	50/63 mm x 2"	10	1	80
0100267	50/63 mm x 2 1/2"	10	1	24
0100268	63/75 mm x 2"	10	1	60
0100269	63/75 mm x 2 1/2"	10	1	36
0101376	63/75 mm x 3"	10	1	16
0101377	75/90 mm x 2 1/2"	10	1	48
0101378	75/90 mm x 3"	10	1	9
0101379	75/90 mm x 4"	10	1	10
0101380	90/110 mm x 3"	10	1	16
0101381	90/110 mm x 4"3" x 2 1/2"	10	1	6

You can find a larger selection on our webshop





### Threaded adaptor socket

Connection : glue socket/glue spigot x female thread

Material : PVC-U  
 Colour : grey  
 Type : reinforced



PART NO.	SIZE	PRESSURE bar	PACKAGING pcs	
0100371	16/25 mm x 1/2"	16	10	130



### Threaded adaptor socket, reinforced

Connection : glue socket x female thread

Material : PVC-U  
 Colour : grey  
 Type : reinforced



PART NO.	SIZE	PRESSURE bar	PACKAGING pcs	
0110508	20 mm x 1/2"	16	10	130
0110509	25 mm x 3/4"	16	10	90
0110510	32 mm x 1"	16	10	50
0110511	40 mm x 1 1/4"	16	1	40
0110512	50 mm x 1 1/2"	16	1	30
0110513	63 mm x 2"	16	1	18



### VDL Adaptor socket

Connection : glue socket x female thread

Material : PVC-U  
 Colour : grey



PART NO.	SIZE	PRESSURE bar	TYPE	MOQ
7018165	75 mm x 1 1/2"	16	reinforced	1
0110831	110 mm x 4"	10	reinforced	1



### Adaptor socket

Connection : glue socket x female thread

Material : PVC-U  
 Colour : grey



PART NO.	SIZE	PRESSURE bar	PACKAGING pcs	
0110816	16 mm x 3/8"	10	1	1400
0110817	20 mm x 1/2"	10	10	130
0110818	25 mm x 1/2"	10	1	500
0110819	25 mm x 3/4"	10	10	90
0110822	32 mm x 1"	10	10	50
0110824	40 mm x 1 1/4"	10	1	40
0110826	50 mm x 1 1/2"	10	1	30
0110828	63 mm x 2"	10	1	18



### Reducing nipple, reinforced

Connection : male thread x female thread

Material : PVC-U  
 Colour : grey  
 Type : reinforced



PART NO.	SIZE	PRESSURE bar	PACKAGING pcs	
0100320	3/4" x 1/2"	10	10	150
0100375	3/4" x 1"	10	10	80
0100321	1" x 1/2"	10	10	110
0100322	1" x 3/4"	10	10	90
0100323	1 1/4" x 1/2"	10	1	60
0100324	1 1/4" x 3/4"	10	1	50
0100325	1 1/4" x 1"	10	1	50
0100326	1 1/2" x 1/2"	10	1	50
0100327	1 1/2" x 3/4"	10	1	50
0100328	1 1/2" x 1"	10	1	50
0100329	1 1/2" x 1 1/4"	10	1	35
0100330	2" x 3/4"	10	1	35
0100331	2" x 1"	10	1	35
0100332	2" x 1 1/4"	10	1	35
0100333	2" x 1 1/2"	10	1	25

You can find a larger selection on our webshop

# PLASTIC PRESSURE PIPING SYSTEMS

## PVC Pressure Fittings, Metric



**Mega Reducing nipple**  
 Connection : male thread  
 Material : PVC-U  
 Colour : grey



**Reducing nipple**  
 Connection : male thread x female thread  
 Material : PVC-U  
 Colour : grey



PART NO.	SIZE	PRESSURE bar	PACKAGING pcs	
0101331	1/2" x 3/8"	10	20	200
0100170	3/4" x 3/8"	10	20	160
0100171	3/4" x 1/2"	10	10	180
0100172	1" x 3/8"	10	1	90
0100173	1" x 1/2"	10	10	100
0100174	1" x 3/4"	10	10	100
0100175	1 1/4" x 1/2"	10	1	100
0100176	1 1/4" x 3/4"	10	1	60
0100177	1 1/4" x 1"	10	1	50
0100178	1 1/2" x 3/4"	10	1	50
0100179	1 1/2" x 1"	10	1	40
0100180	1 1/2" x 1 1/4"	10	1	40
0100181	2" x 1"	10	1	25
0100182	2" x 1 1/4"	10	1	25
0100183	2" x 1 1/2"	10	1	25
0100186	2 1/2" x 2"	10	1	20
0100187	3" x 1 1/2"	10	1	12
0100188	3" x 2"	10	1	12
0100189	3" x 2 1/2"	10	1	9

PART NO.	SIZE	PRESSURE bar	PACKAGING pcs	
0101323	3/8" x 1/2"	10	10	50
0101324	1/2" x 3/8"	10	50	50
0101325	1/2" x 3/4"	10	10	120
0100192	3/4" x 3/8"	10	1	700
0100193	3/4" x 1/2"	10	10	150
0100194	3/4" x 1"	10	10	80
0100195	1" x 3/8"	10	1	500
0100196	1" x 1/2"	10	10	110
0100197	1" x 3/4"	10	10	90
0100198	1" x 1 1/4"	10	1	40
0100199	1 1/4" x 1/2"	10	1	60
0100200	1 1/4" x 3/4"	10	1	50
0100201	1 1/4" x 1"	10	1	50
0100202	1 1/4" x 1 1/2"	10	1	30
0100203	1 1/2" x 3/4"	10	1	50
0100204	1 1/2" x 1"	10	1	50
0100205	1 1/2" x 1 1/4"	10	1	35
0100206	1 1/2" x 2"	10	1	20
0100207	2" x 1"	10	1	35
0100208	2" x 1 1/4"	10	1	35
0100209	2" x 1 1/2"	10	1	25
0100210	2" x 2 1/2"	10	1	100
0100212	2 1/2" x 1 1/2"	10	1	60
0100213	2 1/2" x 2"	10	1	60
0100214	3" x 1 1/2"	10	1	30
0100215	3" x 2"	10	1	40
0100216	3" x 2 1/2"	10	1	30

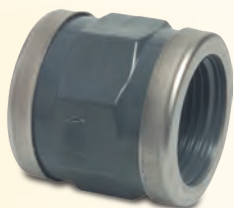


**Mega Socket**  
 Connection : female thread  
 Material : PVC-U  
 Colour : grey



PART NO.	SIZE	PRESSURE bar	PACKAGING pcs	
0110519	3/8"	10	1	1300
0110520	1/2"	10	10	160
0110521	3/4"	10	10	90
0110522	1"	10	10	50
0110523	1 1/4"	10	1	40
0110524	1 1/2"	10	1	30
0110525	2"	10	1	18

You can find a larger selection on our webshop



### Mega Threaded socket

Connection : female thread  
 Material : PVC-U  
 Colour : grey  
 Type : reinforced



PART NO.	SIZE	PRESSURE bar	PACKAGING pcs	
0100721	1/2"	16	10	130
0100722	3/4"	16	10	90
0100723	1"	16	10	50
0100724	1 1/4"	16	1	40
0100725	1 1/2"	16	1	30
0100726	2"	16	1	18

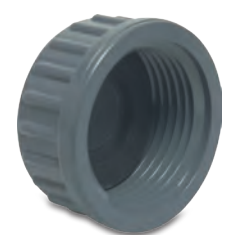


### VDL End set

Connection : glue socket  
 Material : PVC-U  
 Colour : grey



PART NO.	SIZE	MOQ
7018275	16 mm x 1/2"	1
0110569	20 mm x 1/2"	20



### End cap

Connection : female thread  
 Material : PVC-U  
 Colour : grey



PART NO.	SIZE	PRESSURE bar	PACKAGING pcs	
0110574	3/8"	10	50	800
0110575	1/2"	10	10	450
0110576	3/4"	10	10	200
0110577	1"	10	10	200
0110578	1 1/4"	10	1	140
0110579	1 1/2"	10	1	60
0110580	2"	10	1	170

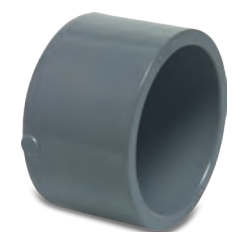


### Mega Nipple

Connection : male thread  
 Material : PVC-U  
 Colour : grey



PART NO.	SIZE	PRESSURE bar	PACKAGING pcs	
0110535	3/8"	10	1	2400
0110536	1/2"	10	10	250
0110537	3/4"	10	10	150
0110538	1"	10	10	80
0110539	1 1/4"	10	1	50
0110540	1 1/2"	10	1	40
0110541	2"	10	1	46
0110542	2 1/2"	10	1	15
0110543	3"	10	1	7
0110544	4"	10	1	4



### Profec Cap

Connection : glue socket  
 Material : PVC-U  
 Colour : grey



PART NO.	SIZE	PRESSURE bar	PACKAGING pcs	
0101336	12 mm	16	50	3000
0110585	16 mm	16	10	100
0110586	20 mm	16	10	350
0110587	25 mm	16	10	200
0110588	32 mm	16	10	120
0110589	40 mm	16	10	80
0110590	50 mm	16	1	200
0110591	63 mm	16	1	120
0110592	75 mm	16	1	60
0110593	90 mm	16	1	38
0110594	110 mm	16	1	18
0110595	125 mm	16	1	13
0110596	140 mm	16	1	10
0110597	160 mm	16	1	6
0110598	200 mm	10	1	3
0101337	225 mm	10	1	2
0100397	250 mm	10	1	4
0100398	315 mm	10	1	2
0110599	400 mm	10	1	1

You can find a larger selection on our webshop

# PLASTIC PRESSURE PIPING SYSTEMS



## Mega Rubber seal for end cap

Material: SBR  
Colour : black



PART NO.	SIZE	MOQ
0110870	1/2"	1
0110871	3/4"	20



## Rubber sealing ring for threaded end cap

Fits in female thread

Material: SBR  
Colour : black

PART NO.	SIZE	THICKNESS mm	MOQ
0110872	1"	2	50
0110874	1 1/4"	3	50
0110875	1 1/2"	3	50
0110876	2"	3	50
0110877	2 1/2"	4	10
0110878	3"	4	10
0110879	4"	5	10

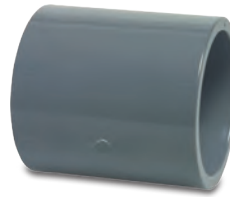


## Threaded plug

Connection : male thread  
Material : PVC-U  
Colour : grey



PART NO.	SIZE	PRESSURE bar	PACKAGING pcs	
0101338	1/4"	10	20	200
0110600	3/8"	10	20	200
0110601	1/2"	10	10	840
0110602	3/4"	10	10	480
0110603	1"	10	10	240
0110604	1 1/4"	10	1	70
0110605	1 1/2"	10	1	60
0110606	2"	10	1	30
0110607	2 1/2"	10	1	25
0110608	3"	10	1	15
0110609	4"	10	1	8



## Profec Socket

Connection : glue socket  
Material : PVC-U  
Colour : grey



PART NO.	SIZE	PRESSURE bar	PACKAGING pcs	
0110659	12 mm	16	50	1800
0110645	16 mm	16	50	600
0110614	20 mm	16	10	200
0110615	25 mm	16	10	120
0110616	32 mm	16	10	70
0110617	40 mm	16	1	180
0110618	50 mm	16	1	100
0110619	63 mm	16	1	60
0110652	75 mm	16	1	36
0110653	90 mm	16	1	18
0110654	110 mm	16	1	12
0110655	125 mm	16	1	24
0110656	140 mm	16	1	14
0110657	160 mm	16	1	10
0110658	200 mm	10	1	3
0100036	225 mm	10	1	2
0100037	250 mm	10	1	2
0100038	315 mm	6	1	1



## Reducing socket

Connection : glue socket  
Material : PVC-U  
Colour : grey  
Type : made from tubing



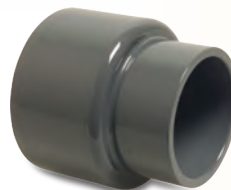
PART NO.	SIZE	PRESSURE bar
0100039	225 mm x 200 mm	10
0110688	250 mm x 200 mm	10
0110691	315 mm x 250 mm	10

You can find a larger selection on our webshop



### Reducing socket

Connection : glue spigot/glue socket x glue socket  
 Material : PVC-U  
 Colour : grey



### Reducing socket

Connection : glue socket  
 Material : PVC-U  
 Colour : grey



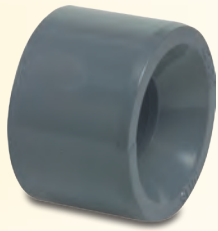
PART NO.	SIZE	PRESSURE bar	PACKAGING pcs	
0110705	32/25 mm x 20 mm	16	10	120
0101344	32/25 mm x 25 mm	16	10	100
0110707	40/32 mm x 20 mm	16	10	80
0110708	40/32 mm x 25 mm	16	10	80
0101345	40/32 mm x 32 mm	16	10	50
0110709	50/40 mm x 20 mm	16	10	50
0110710	50/40 mm x 25 mm	16	10	12
0110711	50/40 mm x 32 mm	16	1	150
0101346	50/40 mm x 40 mm	16	1	30
0110712	63/50 mm x 20 mm	16	1	30
0110713	63/50 mm x 25 mm	16	1	30
0110714	63/50 mm x 32 mm	16	1	30
0110715	63/50 mm x 40 mm	16	1	110
0101347	63/50 mm x 50 mm	16	1	20
0110718	75/63 mm x 32 mm	16	1	40
0110719	75/63 mm x 40 mm	16	1	40
0110720	75/63 mm x 50 mm	16	1	40
0101348	75/63 mm x 63 mm	16	1	26
0100790	90/75 mm x 40 mm	16	1	24
0110721	90/75 mm x 50 mm	16	1	48
0110722	90/75 mm x 63 mm	16	1	34
0101349	90/75 mm x 75 mm	16	1	30
0100791	110/90 mm x 50 mm	16	1	27
0110723	110/90 mm x 63 mm	16	1	27
0100792	110/90 mm x 75 mm	16	1	18
0101350	110/90 mm x 90 mm	16	1	16
0110724	125/110 mm x 63 mm	16	1	20
0100793	125/110 mm x 75 mm	16	1	18
0110725	125/110 mm x 90 mm	16	1	18
0100794	140/125 mm x 75 mm	16	1	12
0100795	140/125 mm x 90 mm	16	1	12
0100796	140/125 mm x 110 mm	16	1	9
0110726	160/140 mm x 90 mm	10	1	18
0101351	160/140 mm x 110 mm	10	1	40
0110727	160/140 mm x 125 mm	10	1	11
0101352	200/180 mm x 110 mm	10	1	6
0101355	225/200 mm x 125 mm	10	1	4
0101356	225/200 mm x 140 mm	10	1	3
0101357	225/200 mm x 160 mm	10	1	3
0101359	250/225 mm x 160 mm	10	1	2
0101360	250/225 mm x 200 mm	10	1	2
0101361	315/280 mm x 160 mm	10	1	2
0101362	315/280 mm x 200 mm	10	1	2

PART NO.	SIZE	PRESSURE bar	PACKAGING pcs	
0110669	63 mm x 50 mm	16	1	100
0110670	75 mm x 50 mm	16	1	60
0110671	75 mm x 63 mm	16	1	36
0110672	90 mm x 50 mm	16	1	27
0110673	90 mm x 63 mm	16	1	27
0110674	90 mm x 75 mm	16	1	27
0110675	110 mm x 75 mm	16	1	18
0110676	110 mm x 90 mm	16	1	18
0110677	125 mm x 90 mm	16	1	10
0110678	125 mm x 110 mm	16	1	10
0110679	140 mm x 110 mm	16	1	6
0110680	140 mm x 125 mm	16	1	12
0110681	160 mm x 110 mm	16	1	12
0110682	160 mm x 125 mm	16	1	16
0110683	160 mm x 140 mm	16	1	10
0110684	200 mm x 125 mm	16	1	6
0110685	200 mm x 140 mm	16	1	61
0110686	200 mm x 160 mm	16	1	6

You can find a larger selection on our webshop

# PLASTIC PRESSURE PIPING SYSTEMS

## PVC Pressure Fittings, Metric

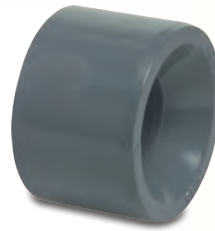


### Reducing bush

Connection : glue spigot x  
glue socket

Material : PVC-U

Colour : grey



### Reducing bush

Connection : glue spigot x  
glue socket

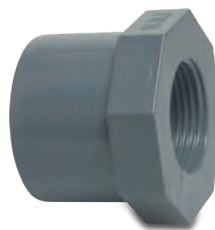
Material : PVC-U

Colour : grey



PART NO.	SIZE	PRESSURE bar	PACKAGING pcs	
0110730	16 mm x 12 mm	16	50	250
0100798	20 mm x 12 mm	16	50	150
0110731	20 mm x 16 mm	16	50	1800
0110732	25 mm x 16 mm	16	10	450
0110733	25 mm x 20 mm	16	10	360
0110734	32 mm x 16 mm	16	1	1100
0110735	32 mm x 20 mm	16	10	200
0110736	32 mm x 25 mm	16	10	200
0110737	40 mm x 16 mm	16	1	140
0110738	40 mm x 20 mm	16	1	140
0110739	40 mm x 25 mm	16	1	140
0110740	40 mm x 32 mm	16	1	140
0110741	50 mm x 20 mm	16	1	80
0110742	50 mm x 25 mm	16	10	80
0110743	50 mm x 32 mm	16	1	80
0110744	50 mm x 40 mm	16	1	80
0110746	63 mm x 32 mm	16	1	50
0110747	63 mm x 40 mm	16	1	50
0110748	63 mm x 50 mm	16	1	50
0110750	75 mm x 40 mm	16	1	100
0110751	75 mm x 50 mm	16	1	100
0110752	75 mm x 63 mm	16	1	100
0110753	90 mm x 50 mm	16	1	60
0110754	90 mm x 63 mm	16	1	60
0110755	90 mm x 75 mm	16	1	60
0110757	110 mm x 50 mm	16	1	38
0110758	110 mm x 63 mm	16	1	38
0110759	110 mm x 75 mm	16	1	38
0110760	110 mm x 90 mm	16	1	38
0110762	125 mm x 75 mm	16	1	24
0110763	125 mm x 90 mm	16	1	24
0110764	125 mm x 110 mm	16	1	24
0110766	140 mm x 90 mm	16	1	20
0110767	140 mm x 110 mm	16	1	20
0110768	140 mm x 125 mm	16	1	20

PART NO.	SIZE	PRESSURE bar	PACKAGING pcs	
0110769	160 mm x 90 mm	16	1	9
0110770	160 mm x 110 mm	16	1	9
0110771	160 mm x 125 mm	16	1	9
0110772	160 mm x 140 mm	16	1	12
0100281	200 mm x 110 mm	10	1	4
0100282	200 mm x 125 mm	10	1	4
0100283	200 mm x 140 mm	10	1	4
0110773	200 mm x 160 mm	10	1	4
0100284	225 mm x 110 mm	10	1	3
0100286	225 mm x 140 mm	10	1	3
0100287	225 mm x 160 mm	10	1	3
0110774	225 mm x 200 mm	10	1	3
0100289	250 mm x 160 mm	10	1	3
0110775	250 mm x 200 mm	10	1	3
0110776	250 mm x 225 mm	10	1	3
0100291	280 mm x 225 mm	10	1	4
0101369	315 mm x 160 mm	10	1	3
0100293	315 mm x 200 mm	10	1	1
0100294	315 mm x 225 mm	10	1	3
0100295	315 mm x 250 mm	10	1	3
0100296	315 mm x 280 mm	10	1	4



### Reducing bush

Connection : glue spigot x  
female thread

Material : PVC-U

Colour : grey



PART NO.	SIZE	PRESSURE bar	PACKAGING pcs	
0110781	20 mm x 1/4"	10	50	1200
0110784	25 mm x 1/2"	10	10	600
0110785	32 mm x 1/2"	10	10	150
0110786	32 mm x 3/4"	10	10	150
0110787	40 mm x 1/2"	10	10	70
0110789	40 mm x 1"	10	1	70

You can find a larger selection on our webshop

## Stub flange

Next to the connection dimensions (Size and PCD) for the backing rings and stub flanges we show the inner-hole size of the backing flange and the pipe size from the stub flange.

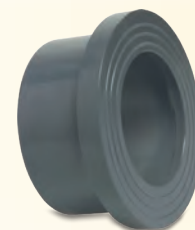
For backing rings, the inner hole size is given in column Inner Ø

For stub flanges, the pipe size is given in column Outer Ø

Connection : glue socket

Material : PVC-U

Colour : grey



PART NO.	SIZE	DN	OUTER Ø mm	PRESSURE bar	PACKAGING pcs	
0110898	20 mm	15	27	16	1	1200
0110899	25 mm	20	33	16	1	750
0110900	32 mm	25	41	16	1	400
0110901	40 mm	32	50	16	1	250
0110902	50 mm	40	61	16	1	150
0110903	63 mm	50	77	16	1	90
0110904	75 mm	65	91	16	1	55
0110905	90 mm	80	108	16	1	30
0110906	110 mm	100	131	16	1	20
0110907	125 mm	110	145	16	1	12
0110908	140 mm	125	162	16	1	8
0110909	160 mm	150	187	10	1	18
0110910	200 mm	175	230	10	1	9
0110913	225 mm	200	248	10	1	6
0110911	250 mm	225	274	10	1	5
0110914	280 mm	250	307	6	1	4
0110912	315 mm	300	342	6	1	3
0110915	400 mm	375	432	6	1	1



### Gasket for stub flange

Material: EVA

Colour : transparent



PART NO.	SIZE	MOQ
0110935	20 mm x 32 mm	20
0110936	25 mm x 39 mm	20
0110937	32 mm x 48 mm	20
0110938	40 mm x 59 mm	5
0110939	50 mm x 71 mm	5
0110940	63 mm x 88 mm	5
0110941	75 mm x 104 mm	5
0110942	90 mm x 123 mm	1



### Gasket for stub flange

Material: EVA

Colour : transparent



PART NO.	SIZE	MOQ
0110943	110 mm x 148 mm	1
0110944	125 mm x 166 mm	1
0110945	140 mm x 186 mm	1
0110946	160 mm x 211 mm	1
0110947	200 mm x 245 mm	1
0110972	225 mm x 275 mm	1
0110948	250 mm x 328 mm	1
0110949	315 mm x 378 mm	1

You can find a larger selection on our webshop

# PLASTIC PRESSURE PIPING SYSTEMS

PVC Pressure Fittings, Metric



## Gasket for stub flange

Material: SBR  
Colour : black



PART NO.	SIZE	MOQ
0110973	280 mm	1
0110974	400 mm	1



## Mega Backing ring

Next to the connection dimensions (Size and PCD) for the backing rings and stub flanges we show the inner-hole size of the backing flange and the pipe size from the stub flange.

For backing rings, the inner hole size is given in column Inner Ø

For stub flanges, the pipe size is given in column Outer Ø

See back of this catalogue "How to recognise a flange" ref PCD

Material: PVC-U

Colour : grey



PART NO.	SIZE	DN	INNER Ø mm	PCD mm	HOLES	Ø HOLE mm	PACKAGING pcs
0110918	20 mm	15	28	65	4	14	1 250
0110919	25 mm	20	34	75	4	14	1 200
0110920	32 mm	25	42	85	4	14	1 150
0110921	40 mm	32	51	100	4	18	1 60
0110922	50 mm	40	62	110	4	18	1 70
0110923	63 mm	50	78	125	4	18	1 50
0110924	75 mm	65	92	145	4	18	1 40
0110925	90 mm	80	110	160	8	18	1 34
0110926	110 mm	100	133	180	8	18	1 25
0110927	125 mm	110	147	190	8	18	1 22
0100401	125/140 mm	110	147	210	8	18	1 17
0110928	140 mm	125	165	210	8	18	1 17
0110929	160 mm	150	190	240	8	22	1 10
0110930	200 mm	175	232	286	8	22	1 10
0100402	200/225 mm	200	232	295	8	22	1 10
0110933	225 mm	200	250	295	8	22	1 10
0110931	250 mm	225	278	350	12	22	1 6
0110970	280 mm	250	309	350	12	22	1 12
0110932	315 mm	300	345	400	12	22	1 6
0110971	400 mm	375	438	515	16	26	1 1

You can find a larger selection on our webshop



## Socket flange

Connection : DIN flange x glue socket

Material : PVC-U

Colour : grey



PART NO.	SIZE	FLANGE	PCD mm	HOLES	Ø HOLE mm	PRESSURE bar
0111082	DN25 x 32 mm	PN10	85	4	14	10
0111083	DN32 x 40 mm	PN10	100	4	18	10
0111084	DN40 x 50 mm	PN10	110	4	18	10
0111085	DN50 x 63 mm	PN10	125	4	18	10
0111046	DN65 x 75 mm	PN10/16	145	4	18	16
0111047	DN80 x 90 mm	PN10/16	160	8	18	16
0111048	DN100 x 110 mm	PN10/16	180	8	18	16
0111049	DN110 x 125 mm	PN10	190	8	18	16
0111050	DN125 x 125 mm	PN10/16	210	8	18	16
0111051	DN125 x 140 mm	PN10/16	210	8	18	16
0111052	DN150 x 160 mm	PN10/16	240	8	23	10
0111053	DN175 x 200 mm	PN10	270	8	23	10
0111054	DN200 x 225 mm	PN10	295	8	23	10

## Mega Threaded flange

Connection : DIN flange x female thread

Material : PVC-U

Colour : grey

Pressure : 10 bar

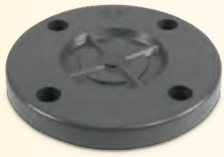


PART NO.	SIZE	FLANGE	PCD mm	HOLES	Ø HOLE mm
0111160	DN15 x 1/2"	PN10/16	65	4	14
0111161	DN20 x 3/4"	PN10/16	75	4	14
0111162	DN25 x 1"	PN10/16	85	4	14
0111163	DN32 x 1 1/4"	PN10/16	100	4	18
0111164	DN40 x 1 1/2"	PN10/16	110	4	18
0111165	DN50 x 2"	PN10/16	125	4	18
0111166	DN65 x 2 1/2"	PN10/16	145	4	18
0111167	DN80 x 3"	PN10/16	160	8	18
0111168	DN100 x 4"	PN10/16	180	8	18

You can find a larger selection on our webshop

# PLASTIC PRESSURE PIPING SYSTEMS

PVC Pressure Fittings, Metric



## Blind flange

For PCD, bolt hole size and number see Technical specifications "How to identify a flange" at the back of the catalogue (PCD equals K)

Material: PVC-U

Colour : grey



PART NO.	SIZE	FLANGE	PCD mm	HOLES	Ø HOLE mm	PRESSURE bar
0111020	DN20	PN10/16	75	4	14	16
0111021	DN25	PN10/16	85	4	14	16
0111022	DN32	PN10/16	100	4	18	16
0111023	DN40	PN10/16	110	4	18	16
0111024	DN50	PN10/16	125	4	18	16
0111025	DN65	PN10/16	145	4	18	16
0111026	DN80	PN10/16	160	8	18	16
0111027	DN100	PN10/16	180	8	18	16
0111028	DN125	PN10/16	190	8	18	16
0111029	DN125	PN10/16	210	8	18	16
0111030	DN150	PN10	240	8	23	10
0111032	DN200	PN10	295	8	23	10



## Flange set

Complete with nuts, bolts and washers

Connection : glue socket

Material : PVC-U

Colour : grey

Pressure : 10 bar



PART NO.	SIZE	DN	FLANGE	PCD mm	HOLES	Ø HOLE mm	PACKAGING pcs	
0111070	75 mm	18	PN10/16	145	4	18	1	3
0111071	90 mm	18	PN10/16	160	8	18	1	2
0111072	110 mm	18	PN10/16	180	8	18	1	2
0111073	125 mm	18	PN10/16	190	8	18	1	3
0111074	140 mm	18	PN10/16	210	8	18	1	3
0111075	160 mm	23	PN10/16	240	8	23	1	3

You can find a larger selection on our webshop



### Bulkhead fitting

Connection : glue socket x male thread  
Material : PVC-U  
Colour : grey



PART NO.	SIZE	PRESSURE bar
0110965	16 mm x 1/2"	10
0110966	20 mm x 3/4"	10
0110967	25 mm x 1"	10
0110968	32 mm x 1 1/4"	10
0110969	40 mm x 1 1/2"	10



### Mega Bulkhead fitting

Connection : glue socket/glue spigot x male thread  
Material : PVC-U  
Colour : grey



PART NO.	SIZE	PRESSURE bar	PACKAGING pcs	
0100541	25/32 mm x 1"	10	10	40
0100542	32/40 mm x 1 1/4"	10	1	100
0100543	40/50 mm x 1 3/4"	10	1	60
0100819	50/63 mm x 2"	10	1	40



### Mega Bulkhead fitting

Connection: glue socket x male thread x male thread  
Material : PVC-U  
Colour : grey



PART NO.	SIZE	PRESSURE bar	PACKAGING pcs	
0100551	25 mm x 1" x 1"	10	10	40
0100552	32 mm x 1 1/4" x 1 1/4"	10	1	25
0100820	50 mm x 2" x 2"	10	1	40



### Mega Bulkhead back nut

Connection : female thread  
Material : PVC-U  
Colour : grey



PART NO.	SIZE	MOQ
0100565	3/4"	10
0100566	1"	10
0100567	1 1/4"	20
0100570	2"	1



### Bulkhead fitting

Connection : glue socket x male thread x female thread  
Material : PVC-U  
Colour : grey

PART NO.	SIZE	PRESSURE bar
0111130	16 mm x 3/4" x 1/2"	10
0111131	20 mm x 1" x 3/4"	10
0111132	25 mm x 1 1/4" x 1"	10
0111133	32 mm x 1 1/2" x 1"	10
0111134	40 mm x 2" x 1 1/2"	10



### Bulkhead fitting

Connection : male thread  
Material : PP  
Colour : black



PART NO.	SIZE	PRESSURE bar	MOQ
0110063	1/2"	10	10
0110064	3/4"	10	1
0110065	1"	10	1

You can find a larger selection on our webshop

# PLASTIC PRESSURE PIPING SYSTEMS

## PVC Pressure Fittings, Metric



### Push-in Bulkhead fitting

Connection : male thread  
Material : PP  
Colour : black



### Wall conduit

Connection: male thread  
Material : PP  
Colour : grey

PART NO.	SIZE	PRESSURE bar	PACKAGING pcs	
7019308	1/2"	4	20	60
7019309	3/4"	4	20	60
7019310	1"	4	20	60
7019311	1 1/4"	4	10	30
7019312	1 1/2"	4	10	30
7019313	2"	4	5	15

PART NO.	SIZE	PRESSURE bar
0330215	1/2"	10
0330216	3/4"	10
0330217	1"	10



### Liner tank connector, heavy duty

Connection : socket  
Material : ABS  
Colour : black



### Bulkhead fitting

Connection : glue socket  
Material : ABS  
Colour : black

PART NO.	SIZE
0102174	50 mm
0102175	63 mm
0102176	75 mm
0102178	110 mm

PART NO.	SIZE
0102170	40 mm
0102171	50 mm
0102172	110 mm

You can find a larger selection on our webshop

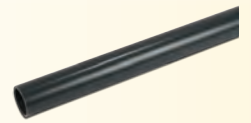
## PVC Pressure Pipe, Imperial

### Pressure pipe

Connection : plain

Material : PVC-U

Colour : grey



PART NO.	SIZE	LENGTH m	BS 3505	CRATE
0330080	1/2"	3	Class E-PN 15	2931
0330081	3/4"	3	Class E-PN 15	2082
0330082	1"	3	Class E-PN 15	1329
0330083	1 1/4"	3	Class D-PN12	744
0330084	1 1/2"	3	Class E-PN 15	615
0330085	2"	3	Class D-PN12	447
0330086	3"	3	Class D-PN12	159
0330087	4"	3	Class C-PN9	129



### Union coupler

Connection : imperial glue socket

Material : PVC-U

Colour : grey



### Union coupler

Connection : imperial glue socket

x female thread

Material : PVC-U

Colour : grey

PART NO.	SIZE	PRESSURE bar
7026484	1/2"	16
7026485	3/4"	16
7026486	1"	16
7026487	1 1/4"	16
7026488	1 1/2"	16
7026489	2"	16
7026490	3"	10
7026491	4"	10

PART NO.	SIZE	PRESSURE bar
7026492	1/2" x 1/2"	10
7026493	3/4" x 3/4"	10
7026494	1" x 1"	10
7026495	1 1/4" x 1 1/4"	10
7026496	1 1/2" x 1 1/2"	10
7026497	2" x 2"	10

# PLASTIC PRESSURE PIPING SYSTEMS

## PVC Pressure Fittings, Imperial Grey



### Elbow 90°

Connection : imperial glue socket  
x female thread  
Material : PVC-U  
Colour : grey  
Approval : WRAS



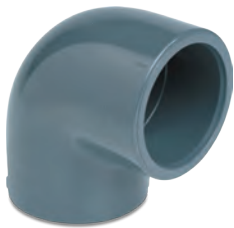
### Mega Elbow 45°

Connection : imperial glue socket  
Material : PVC-U  
Colour : grey



PART NO.	SIZE	PRESSURE bar
7025827	1/2"	10
7025828	3/4"	10
7025829	1"	10
7025830	1 1/4"	10
7025831	1 1/2"	10
7025832	2"	10
7025833	2 1/2"	10
7025834	3"	10
7025835	4"	10

PART NO.	SIZE	PRESSURE bar	PACKAGING pcs	
0169959	4"	16	1	20



### Elbow 90°

Connection : imperial glue socket  
Material : PVC-U  
Colour : grey  
Approval : WRAS



### Elbow 45°

Connection : imperial glue socket  
Material : PVC-U  
Colour : grey  
Approval : WRAS

PART NO.	SIZE	PRESSURE bar
7025935	3/8"	16
7025936	1/2"	16
7025937	3/4"	16
7025938	1"	16
7025939	1 1/4"	16
7025940	1 1/2"	16
7025941	2"	16
7025942	2 1/2"	16
7025943	3"	16
7025944	4"	16
7025945	5"	16
7025946	6"	16
7025947	8"	16

PART NO.	SIZE	PRESSURE bar
7025948	3/8"	16
7025949	1/2"	16
7025950	3/4"	16
7025951	1"	16
7025952	1 1/4"	16
7025953	1 1/2"	16
7025954	2"	16
7025955	2 1/2"	16
7025956	3"	16
7025957	4"	16
7025958	5"	16
7025959	6"	16
7025960	8"	16



### T-piece 90°

Connection : imperial glue socket  
 Material : PVC-U  
 Colour : grey  
 Approval : WRAS

PART NO.	SIZE	PRESSURE bar
7025887	3/8"	16
7025888	1/2"	16
7025889	3/4"	16
7025890	1"	16
7025891	1 1/4"	16
7025892	1 1/2"	16
7025893	2"	16
7025894	2 1/2"	16
7025895	3"	16
7025896	4"	16
7025897	5"	16
7025898	6"	16
7025899	8"	16



### Adaptor spigot

Connection : imperial glue spigot  
 x female thread  
 Material : PVC-U  
 Colour : grey  
 Approval : WRAS

PART NO.	SIZE	PRESSURE bar
7025802	1/2"	10
7025803	3/4"	10
7025804	1"	10
7025805	1 1/4"	10
7025806	1 1/2"	10
7025807	2"	10
7025808	2 1/2"	10



### Mega Adaptor spigot

Connection : imperial glue spigot  
 x female thread  
 Material : PVC-U  
 Colour : grey



PART NO.	SIZE	PRESSURE bar
0169896	1" x 1"	10



### Mega Adaptor spigot

Connection : imperial glue spigot  
 x male thread  
 Material : PVC-U  
 Colour : grey



PART NO.	SIZE	PRESSURE bar
0170060	1/2" x 1/2"	10
0170061	3/4" x 3/4"	10
0170062	1" x 1"	10
0170063	1 1/4" x 1 1/4"	10
0170064	1 1/2" x 1 1/2"	10
0170065	2" x 2"	10
0170066	2 1/2" x 2 1/2"	10
0170067	3" x 3"	10



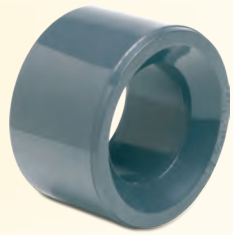
### Mega Reducing bush

Connection : glue spigot x  
 imperial glue socket  
 Material : ABS  
 Colour : grey



PART NO.	SIZE	PRESSURE bar
0100518	50 mm x 1 1/2"	16

# PLASTIC PRESSURE PIPING SYSTEMS



## Reducing bush

Connection : imperial glue spigot  
x imperial glue socket  
Material : PVC-U  
Colour : grey  
Approval : WRAS

PART NO.	SIZE	PRESSURE bar
7025866	1/2" x 3/8"	16
7025867	3/4" x 1/2"	16
7025868	1" x 1/2"	16
7025869	1" x 3/4"	16
7025870	1 1/4" x 1"	16
7025871	1 1/2" x 3/4"	16
7025872	1 1/2" x 1"	16
7025873	1 1/2" x 1 1/4"	16
7025874	2" x 1"	16
7025875	2" x 1 1/4"	16
7025876	2" x 1 1/2"	16
7025877	2 1/2" x 1 1/2"	16
7025878	2 1/2" x 2"	16
7025879	3" x 1 1/2"	16
7025880	3" x 2"	16
7025881	3" x 2 1/2"	16
7025882	4" x 2"	16
7025883	4" x 3"	16
7025884	5" x 4"	16
7025885	6" x 4"	16
7025886	8" x 6"	16

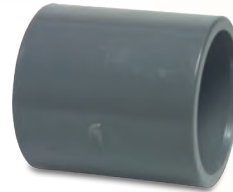


## Adaptor bush

Connection : imperial glue socket/  
imperial glue spigot  
x male thread  
Material : PVC-U  
Colour : grey  
Approval : WRAS

PART NO.	SIZE	PRESSURE bar
7025809	1/2 - 3/4" x 1/2"	10
7025810	3/4 - 1" x 3/4"	10
7025811	1 - 1 1/4" x 1"	10
7025812	1 1/4 - 1 1/2" x 1 1/4"	10
7025813	1 1/2 - 2" x 1 1/2"	10
7025814	2 - 2 1/2" x 2"	10
7025815	2 1/2 - 3" x 2 1/2"	10

# PVC Pressure Fittings, Imperial Grey

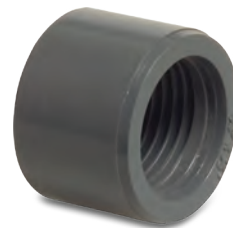


## Mega Transition socket

Connection : glue socket x  
imperial glue socket  
Material : PVC-U  
Colour : grey



PART NO.	SIZE	PRESSURE bar	PACKAGING pcs	
0169901	20 mm x 1/2"	16	1	200
0169902	25 mm x 3/4"	16	1	120
0169903	32 mm x 1"	16	1	70
0169905	50 mm x 1 1/2"	16	1	100
0169906	63 mm x 2"	16	1	60
0169907	90 mm x 3"	16	1	18
0169908	110 mm x 4"	16	1	12



## Mega Adaptor bush

Connection : imperial glue spigot  
x female thread  
Material : PVC-U  
Colour : grey



PART NO.	SIZE	PRESSURE bar
0169801	3/4" x 1/2"	10
0169802	1" x 3/4"	10



## Mega Adaptor bush

Connection : imperial glue socket  
x male thread  
Material : PVC-U  
Colour : grey



PART NO.	SIZE	PRESSURE bar	PACKAGING pcs	
0169770	1/2" x 1/2"	10	10	50
0169771	3/4" x 3/4"	10	10	120
0169772	1" x 1"	10	10	60
0169773	1 1/4" x 1 1/4"	10	1	50
0169774	1 1/2" x 1 1/2"	10	1	150
0169775	2" x 2"	10	1	100



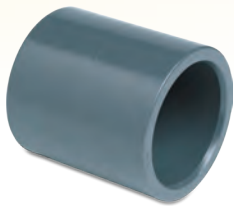


### Adaptor bush

Connection : imperial glue socket/  
imperial glue spigot  
x male thread

Material : PVC-U  
Colour : grey  
Approval : WRAS

PART NO.	SIZE	PRESSURE bar
7025816	3 - 4" x 3"	10
7025817	4 - 5" x 4"	10



### Socket

Connection : imperial glue socket

Material : PVC-U  
Colour : grey  
Approval : WRAS

PART NO.	SIZE	PRESSURE bar
7025922	3/8"	16
7025923	1/2"	16
7025924	3/4"	16
7025925	1"	16
7025926	1 1/4"	16
7025927	1 1/2"	16
7025928	2"	16
7025929	2 1/2"	16
7025930	3"	16
7025931	4"	16
7025932	5"	16
7025933	6"	16
7025934	8"	16



### Flange adaptor

Connection : DIN flange x  
glue socket

Material : PVC-U  
Colour : grey  
Approval : WRAS

PART NO.	SIZE	PRESSURE bar
7025818	DN15 x 1/2"	16
7025819	DN20 x 3/4"	16
7025820	DN25 x 1"	16
7025821	DN32 x 1 1/4"	16
7025822	DN40 x 1 1/2"	16
7025823	DN50 x 2"	16
7025824	DN65 x 2 1/2"	16
7025825	DN80 x 3"	16
7025826	DN100 x 4"	16



### Adaptor socket

Connection : imperial glue socket  
x female thread

Material : PVC-U  
Colour : grey  
Approval : WRAS

PART NO.	SIZE	PRESSURE bar
7025836	1/2"	10
7025837	3/4"	10
7025838	1"	10
7025839	1 1/4"	10
7025840	1 1/2"	10
7025841	2"	10
7025842	2 1/2"	10
7025843	3"	10
7025844	4"	10



### Stub flange

Connection : imperial glue socket

Material : PVC-U  
Colour : grey  
Approval : WRAS

PART NO.	SIZE	PRESSURE bar
7025845	1/2"	16
7025846	3/4"	16
7025847	1"	16
7025848	1 1/4"	16
7025849	1 1/2"	16
7025850	2"	16
7025851	2 1/2"	16
7025852	3"	16
7025853	4"	16
7025854	5"	16
7025855	6"	16
7025856	8"	16

# PLASTIC PRESSURE PIPING SYSTEMS



## Ring sealed pressure pipe, ISO - PN 8

Connection : ring seal x plain  
Material : PVC-U  
Colour : grey  
ISO 1452 : PN8

PART NO.	SIZE	WALL THICKNESS mm	LENGTH m	CRATE
0301002	90 mm	3,5	5	315



## Ring sealed pressure pipe, ISO - PN 10

Connection : ring seal x plain  
Material : PVC-U  
Colour : grey  
ISO 1452 : PN10

PART NO.	SIZE	WALL THICKNESS mm	LENGTH m	CRATE
0301003	110 mm	4,2	5	215
0301004	125 mm	4,8	5	190
0301006	160 mm	6,2	5	110



## Ring sealed pressure pipe, ISO / DIN

Connection : ring seal x plain  
Material : PVC-U  
Colour : grey  
ISO 1452 : PN10

PART NO.	SIZE	WALL THICKNESS mm	LENGTH m	CRATE
7012637	110 mm	5,3	5	215
7012638	125 mm	6,0	5	190
7012639	160 mm	7,7	5	110

# PVC Ring Seal Pressure Pipes and Fittings, Metric



## Ring sealed pressure pipe, ISO / DIN - PN 10

Connection : ring seal x plain  
Material : PVC-U  
Colour : grey  
ISO 1452 : PN10

PART NO.	SIZE	WALL THICKNESS mm	LENGTH m	CRATE
0301012	90 mm	4,3	5	315



## Ring sealed pressure pipe, ISO - PN 10

Connection : ring seal x plain  
Material : PVC-U  
Colour : grey  
ISO 1452 : PN10

PART NO.	SIZE	WALL THICKNESS mm	LENGTH m	CRATE
0301013	110 mm	4,2	6	258
0301014	125 mm	4,8	6	228
0301016	160 mm	6,2	6	132

### Pressure pipe PVC-A ring seal x plain ISO-PN10

This unique PVC-A pipe has the resistance of PVC-U and the ductility of PE pipes.

Weights app. 25% less than a PE pipe of the same PN.

Extremely high resistance to cracks propagation.

Significant impact resistance even at low temperatures.

Deflection angle up to 3°.

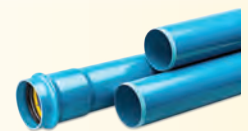
Double seal EPDM and PP ring

Connection : ring seal x plain

Material : PVC-A

Colour : blue

PART NO.	SIZE	WALL THICKNESS mm	LENGTH m	CRATE
7027763	90 mm	2,6	6	576
7027764	110 mm	3,1	6	342
7027765	125 mm	3,5	6	306
7027766	140 mm	3,9	6	270
7027767	160 mm	4,5	6	198
7027768	200 mm	5,6	6	120
7027769	225 mm	6,3	6	108
7027770	400 mm	11,2	6	30



### Pressure pipe PVC-A ring seal x plain ISO-PN 12,5

This unique PVC-A pipe has the resistance of PVC-U and the ductility of PE pipes.

Weights app. 25% less than a PE pipe of the same PN.

Extrem high resistance to cracks propagation.

Significant impact resistance even at low temperatures.

Deflection angle up to 3°.

Double seal EPDM and PP ring

Connection : ring seal x plain

Material : PVC-A

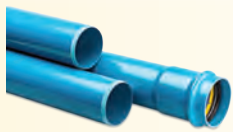
Colour : blue

PART NO.	SIZE	WALL THICKNESS mm	LENGTH m	CRATE
7027771	110 mm	3,8	6	342
7027772	125 mm	4,8	6	306
7027773	140 mm	5,4	6	270
7027774	160 mm	5,6	6	198



# PLASTIC PRESSURE PIPING SYSTEMS

## PVC Ring Seal Pressure Pipes and Fittings, Metric



### Pressure pipe PVC-A ring seal x plain ISO-PN 16

This unique PVC-A pipe has the resistance of PVC-U and the ductility of PE pipes. Weighs app. 25% less than a PE pipe of the same PN. Extrem high resistance to cracks propagation. Significant impact resistance even at low temperatures. Deflection angle up to 3°.

Double seal EPDM and PP ring

Connection : ring seal x plain

Material : PVC-A

Colour : blue

PART NO.	SIZE	WALL THICKNESS mm	LENGTH m	CRATE
7027775	110 mm	4,9	6	342



### Long bend 45°

Connection : ring seal x spigot

Material : PVC-U

Colour : grey

PART NO.	SIZE	PRESSURE bar
0301338	110 mm	10
0301341	160 mm	10



### Long bend 90°

Connection : ring seal x spigot

Material : PVC-U

Colour : grey

PART NO.	SIZE	PRESSURE bar
0301353	110 mm	10
0301356	160 mm	10



### T-piece 90°

Connection : ring seal

Material : PVC-U

Colour : grey

PART NO.	SIZE	PRESSURE bar
0301398	110 mm	10
0301401	160 mm	10



### Repair socket

No central register.

Connection : ring seal

Material : PVC-U

Colour : grey

PART NO.	SIZE	PRESSURE bar
0301365	63 mm	10
0301366	75 mm	10
0301367	90 mm	10
0301368	110 mm	10
0301369	125 mm	10
0301370	140 mm	10
0301371	160 mm	10
0301372	200 mm	10
0350164	225 mm	10
7015739	250 mm	10
7015740	315 mm	10

# Cast Iron Ring Seal Pressure Fittings for PE/PVC Pipes, Metric

## Profec Flange adaptor, type E-KS

Connection : ring seal x DIN flange  
 Material : cast iron  
 Colour : blue  
 DIN Standard: DIN 2576  
 Type : E-KS



PART NO.	SIZE	FLANGE	PRESSURE bar	PCD mm
0399021	110 mm x DN100	PN10/16	10	180
0399023	160 mm x DN150	PN10/16	10	240

## Profec T-piece, type MMA-KS

Connection : ring seal x DIN flange x ring seal  
 Material : cast iron  
 Colour : blue  
 DIN Standard: DIN 2576  
 Type : MMA-KS



PART NO.	SIZE	FLANGE	PRESSURE bar	PCD mm
0399051	110 mm x DN80 x 110 mm	PN10/16	10	160
0399034	160 mm x DN100 x 160 mm	PN10/16	10	180



## Profec Reducing socket, type MMR-KS

Connection : ring seal  
 Material : cast iron  
 Colour : blue  
 Type : MMR-KS

PART NO.	SIZE	PRESSURE bar
0399049	160 mm x 110 mm	10



## Profec T-piece, type MMB-KS

Connection : ring seal  
 Material : cast iron  
 Colour : blue  
 Type : MMB-KS

PART NO.	SIZE	PRESSURE bar
0399050	110 mm	10
0399043	160 mm	10



## Profec T-piece 90° reduced, type MMB-KS

Connection : ring seal  
 Material : cast iron  
 Colour : blue  
 Type : MMB-KS

PART NO.	SIZE	PRESSURE bar
0399041	160 mm x 110 mm x 160 mm	10

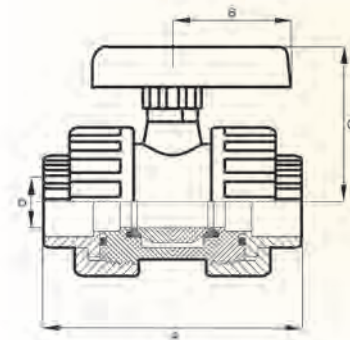
# PLASTIC PRESSURE PIPING SYSTEMS

## PVC/PP Valves, Metric



**Profec Ball valve, type Safe 600**  
With secure ball.

Connection : glue socket  
Material : PVC-U  
Operation : lever  
Handle material: PVC-U  
Colour lever : red  
Material seal : hytrel/EPDM



PART NO.	SIZE	PRESSURE bar	PACKAGING pcs	
0112100	16 mm	16	1	40
0112101	20 mm	16	1	40
0112102	25 mm	16	1	40
0112103	32 mm	16	1	40
0112104	40 mm	16	1	16
0112105	50 mm	16	1	16
0112106	63 mm	16	1	10
0112107	75 mm	10	1	4
0112108	90 mm	10	1	1
0112109	110 mm	10	1	3

A mm	B mm	C mm	D mm
84	35	46	10
84	35	46	15
112	54	71	20
126	54	71	25
149	65	93	32
157	65	93	40
190	74	107	50
214	100	122	65
259	123	148	80
275	123	148	80



**Profec Ball valve, type Safe 600 Viton**

With secure ball. Technical specification as type Safe 600.

Connection : glue socket  
Material : PVC-U  
Operation : lever  
Handle material: PVC-U  
Colour lever : red  
Material seal : PTFE/viton



**Profec Ball valve, type Safe 625**

With secure ball. Technical specification as type Safe 600.

Connection : female thread  
Material : PVC-U  
Operation : lever  
Handle material: PVC-U  
Colour lever : red  
Material seal : hytrel/EPDM

PART NO.	SIZE	PRESSURE bar	PACKAGING pcs	
0112134	20 mm	16	1	40
0112135	25 mm	16	1	40
0112136	32 mm	16	1	40
0112137	40 mm	16	1	16
0112138	50 mm	16	1	16
0112139	63 mm	16	1	10

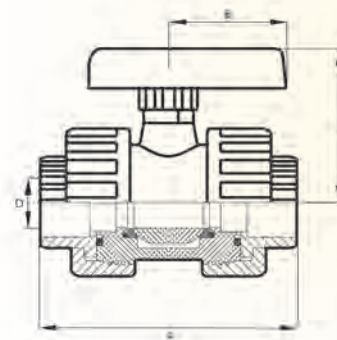
PART NO.	SIZE	PRESSURE bar	PACKAGING pcs	
0112110	1/2"	10	1	40
0112111	3/4"	10	1	40
0112112	1"	10	1	40
0112113	1 1/4"	10	1	16
0112114	1 1/2"	10	1	16
0112115	2"	10	1	10
0112116	2 1/2"	10	1	4
0112117	3"	10	1	3
0112118	4"	10	1	3



### Profec Ball valve, type Safe 525

With secure ball.

- Connection : glue socket
- Material : PVC-U
- Operation : lever
- Handle material: PVC-U
- Colour lever : red
- Material seal : hytrel/EPDM



PART NO.	SIZE	PRESSURE bar	PACKAGING pcs	
0112140	20 mm	16	1	45
0112141	25 mm	16	1	50
0112142	32 mm	16	1	50
0112143	40 mm	16	1	20
0112144	50 mm	16	1	20
0112145	63 mm	16	1	12

A mm	B mm	C mm	D mm
75	35	46	15
100	54	71	20
111	54	71	25
135	65	93	32
143	65	93	40
172	74	107	50



### Profec Ball valve, type Safe 550

With secure ball. Technical specifications as type 525.

- Connection : female thread
- Material : PVC-U
- Operation : lever
- Handle material: PVC-U
- Colour lever : red
- Material seal : hytrel/EPDM

PART NO.	SIZE	PRESSURE bar	PACKAGING pcs	
0112150	1/2"	10	1	45
0112151	3/4"	10	1	50
0112152	1"	10	1	50
0112153	1 1/4"	10	1	20
0112154	1 1/2"	10	1	20
0112155	2"	10	1	12

# PLASTIC PRESSURE PIPING SYSTEMS



## Profec Ball valve, type Safe 500

With secure ball.

Connection : compression  
 Material : PP  
 Operation : lever  
 Handle material: PVC-U  
 Colour lever : red  
 Material seal : hytrel/EPDM



PART NO.	SIZE	PRESSURE bar	PACKAGING pcs	
0707350	20 mm	10	1	30
0707351	25 mm	10	1	30
0707352	32 mm	10	1	28
0707353	40 mm	10	1	40
0707354	50 mm	10	1	10
0707355	63 mm	10	1	5



## Profec Ball valve, type Safe 502

With secure ball.

Connection : compression x male thread  
 Material : PP  
 Operation : lever  
 Handle material: PVC-U  
 Colour lever : red  
 Material seal : hytrel/EPDM



PART NO.	SIZE	PRESSURE bar	PACKAGING pcs	
0707366	20 mm x 1/2"	10	1	35
0707367	25 mm x 3/4"	10	1	40
0707368	32 mm x 1"	10	1	40
0707369	40 mm x 1 1/4"	10	1	15
0707370	50 mm x 1 1/2"	10	1	15
0707371	63 mm x 2"	10	1	7

## PVC/PP Valves, Metric



## Profec Ball valve, type Safe 501

With secure ball.

Connection : compression x female thread  
 Material : PP  
 Operation : lever  
 Handle material: PVC-U  
 Colour lever : red  
 Material seal : hytrel/EPDM



PART NO.	SIZE	PRESSURE bar	PACKAGING pcs	
0707360	20 mm x 1/2"	10	1	35
0707361	25 mm x 3/4"	10	1	40
0707362	32 mm x 1"	10	1	40
0707363	40 mm x 1 1/4"	10	1	15
0707364	50 mm x 1 1/2"	10	1	15
0707365	63 mm x 2"	10	1	7



## PVC ball valve Mega Safe 600 with Actuator 24-240VAC/VDC

Connection according to DIN 43650

Connection : glue socket  
 Material : PVC-U  
 Operation : lever  
 Material seal : hytrel/EPDM  
 Degree of protection: IP67  
 Switching time : 15 sec.



PART NO.	SIZE	PRESSURE bar
7018919	25 mm	16
7018920	32 mm	16
7018921	40 mm	16
7018922	50 mm	16
7018923	63 mm	16
7018924	75 mm	10
7018925	90 mm	10
7018926	110 mm	10





### 3-way T-bore ball valve

Connection : glue socket  
 Material : PVC-U  
 Operation : lever  
 Handle material: PVC-U  
 Colour lever : red  
 Material seal : PTFE/EPDM  
 Ball bore : T-bore



### 3-way L-bore ball valve

Connection : glue socket  
 Material : PVC-U  
 Operation : lever  
 Handle material: PVC-U  
 Colour lever : red  
 Material seal : PTFE/EPDM  
 Ball bore : L-bore



PART NO.	SIZE	PRESSURE bar
0111519	20 mm	10
0111520	25 mm	10
0111521	32 mm	10
0111522	40 mm	10
0111523	50 mm	10
0111524	63 mm	10

PART NO.	SIZE	PRESSURE bar
0111641	20 mm	10
0111642	25 mm	10
0111643	32 mm	10
0111644	40 mm	10
0111645	50 mm	10
0111646	63 mm	10



### Pneumatic diaphragm valve T4

Connection : glue spigot  
 Material : PVC-U  
 Operation : pneumatic  
 Membrane material: EPDM

PART NO.	SIZE	PRESSURE bar
0100879	20 mm	10
0100880	25 mm	10
0100881	32 mm	10
0100882	40 mm	10
0100883	50 mm	10
0100884	63 mm	10

# PLASTIC PRESSURE PIPING SYSTEMS

PVC/PP Valves, Metric



## Butterfly valve, type Mega 7000

According to ISO/DIN  
 Connection : flange  
 Material : PVC-U  
 Operation : lever  
 Handle material: aluminium  
 Material seal : EPDM



PART NO.	SIZE	DN	PRESSURE bar	PCD mm	PACKAGING pcs	
0111414	63/75 mm	65	10	125/145	1	2
0111415	90 mm	80	10	160/169	1	2
0111416	110 mm	100	10	180/190	1	2
0111417	125/140 mm	125	10	190/210	1	2
0111419	160 mm	150	6	240	1	2
0111420	200/225 mm	200	6	270/295	1	2
0111422	250 mm	250	6	345/362	1	1



## Flange sets, metric

2 flange rings & 2 flange adaptors complete with nuts bolts & washers.

Connection : glue socket  
 Material : PVC-U  
 Colour : grey



PART NO.	SIZE	DN	PRESSURE bar	PCD mm
0101462	75 mm	65	16	145
0101463	90 mm	80	16	160
0101464	110 mm	100	16	180
0101466	140 mm	125	16	210
0101467	160 mm	150	10	240
0101468	200 mm	175	10	270
7016999	200 mm	200	10	295
0101469	225 mm	200	10	295
0101484	250 mm	250	6	350



## Slide valve type Mega 8000

Connection : glue socket  
 Material : PVC-U  
 Material valve : PP  
 Max. temperature: 30 °C



PART NO.	SIZE	PRESSURE bar
0100687	75 mm	2,5



## Mega Slide valve

Connection : glue socket  
 Material : PVC-U  
 Material valve : PVC-U  
 Max. temperature: 30 °C



PART NO.	SIZE	PRESSURE bar
0100688	90 mm	1,5
0100689	110 mm	1,5



### Slide valve, metric

Connection : glue socket  
 Material : PVC/ABS  
 Material valve : stainless steel  
 Max. temperature: 30 °C

PART NO.	SIZE	PRESSURE bar
0100856	50 mm	3,0
0100857	63 mm	2,7
0100885	75 mm	3,0
0100858	90 mm	1,4
0100859	110 mm	1,2



### Slide valve

To fit to metric pipe with ring seal sockets.

Connection : spigot  
 Material : PVC-U  
 Material valve : stainless steel

PART NO.	SIZE	PRESSURE bar
0112080	110 mm	4
0112081	125 mm	4
0112082	160 mm	4
0112083	200 mm	4
0112084	250 mm	2,5
0112085	315 mm	2,5



### Electric diaphragm valve A55

Connection : glue spigot  
 Material : PVC-U  
 Operation : pilot valve 24V  
 Membrane material: NBR

PART NO.	SIZE	PRESSURE bar
0101471	63 mm	10

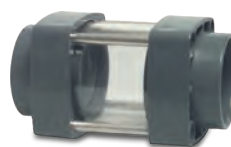


### Non return valve, spring loaded, type Mega 5000

Connection : glue socket  
 Material : PVC-U  
 Colour : grey  
 Material seal : EPDM



PART NO.	SIZE	PRESSURE bar	PACKAGING pcs	
0111539	16 mm	16	12	24
0111540	20 mm	16	1	35
0111541	25 mm	16	1	60
0111542	32 mm	16	1	48
0111543	40 mm	16	1	18
0111544	50 mm	16	1	18
0111545	63 mm	16	1	10
0111572	75 mm	10	1	4
0111573	90 mm	10	1	3
0111574	110 mm	10	1	3



### Sight glass

Connection : glue socket  
 Material : PVC-U  
 Colour : transparent



PART NO.	SIZE	PRESSURE bar	PACKAGING pcs	
0111405	50 mm	6	1	12
0111406	63 mm	6	1	12
0111407	75 mm	10	1	3
0111408	90 mm	10	1	4
0111409	110 mm	10	1	2
0111410	125 mm	10	1	2
0111411	140 mm	10	1	1
0111412	160 mm	10	1	1

# PLASTIC PRESSURE PIPING SYSTEMS

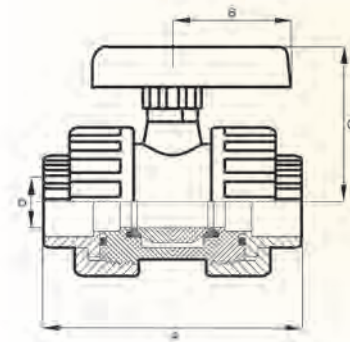
## PVC Valves, Imperial



### Ball valve with double union, type Mega imperial 2001

Connection : imperial glue socket  
 Material : PVC-U  
 Operation : lever  
 Handle material: PVC-U  
 Colour lever : red  
 Material seal : PE/EPDM

PART NO.	SIZE	PRESSURE bar	PACKAGING pcs	
0112061	1/2"	16	12	24
0112062	3/4"	16	5	10
0112063	1"	16	1	8
0112064	1 1/4"	16	1	6
0112065	1 1/2"	16	1	6
0112066	2"	10	1	9
0112068	3"	10	1	2
0112069	4"	10	1	1



A mm	B mm	C mm	D mm
84	41	54	63
108	54	63	20
124	61	70	25
142	69	85	32
167	82	93	40
198	95	111	50
269	133	168	80
275	133	166	80

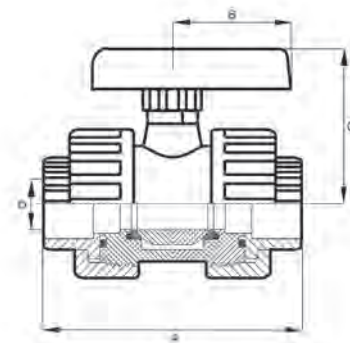


### Ball valve with single union, type Safe 525

With secured ball.

Connection : imperial glue socket  
 Material : PVC-U  
 Operation : lever  
 Handle material: PVC-U  
 Colour lever : red  
 Material seal : hytrel/EPDM

PART NO.	SIZE	PRESSURE bar	PACKAGING pcs	
0169928	1/2"	16	1	45
0169929	3/4"	16	1	50
0169930	1"	16	1	12
0169932	1 1/2"	16	1	20
0169933	2"	10	1	12



A mm	B mm	C mm	D mm
75	35	46	15
100	54	71	20
111	54	71	25
143	65	93	40
172	74	107	50



**Slide valve, imperial**

With plastic paddle.

Connection : imperial glue socket  
 Material : PVC/ABS  
 Material valve : PVC-U  
 Max. temperature: 30 °C

PART NO.	SIZE	PRESSURE bar	PACKAGING pcs	
0169890	1 1/2"	3.5	1	8
0169891	2"	3.5	1	12



**Non return spring loaded valve, type Mega imperial 5000**

Connection : imperial glue socket  
 Material : PVC-U  
 Material seal : EPDM

PART NO.	SIZE	DN	PRESSURE bar	PACKAGING pcs	
0112031	1/2"	15	16	1	35
0112032	3/4"	20	16	1	58
0112033	1"	25	16	1	48
0112034	1 1/4"	32	16	1	20
0112035	1 1/2"	40	16	1	18
0112036	2"	50	16	1	10
0112039	4"	100	10	1	48

# PLASTIC PRESSURE PIPING SYSTEMS

## PE Pipes, In Coils



### Pressure pipe PE40

Material: PE40  
Colour : black

PART NO.	SIZE	WALL THICK-NESS mm	LENGTH m	PRESSURE bar
0700141	10 mm	1,2	100	4
0700024	12 mm	1,5	100	6
0700000	16 mm	1,5	100	5
0700001	16 mm	1,5	500	5
0700003	20 mm	1,5	100	4
0700004	20 mm	1,5	500	4
0700005	20 mm	2,0	100	4
0700006	20 mm	2,0	500	4
0700007	20 mm	2,2	100	6
0700016	20 mm	2,2	200	6
0700008	20 mm	2,2	300	6
0700009	20 mm	2,2	500	6
0700011	25 mm	1,9	100	4
0700012	25 mm	1,9	500	4
0700027	25 mm	2,3	100	5
0700013	25 mm	2,7	100	6
0700014	25 mm	2,7	300	6
0700015	25 mm	2,7	500	6
0700018	32 mm	3,0	100	5
0700026	32 mm	3,0	300	5
7011815	32 mm	3,5	100	6
0700019	40 mm	3,6	100	5
0700020	50 mm	4,5	100	5
0700021	63 mm	5,7	50	5
7011816	40 mm	4,3	100	6
7011817	50 mm	5,5	100	6
7011818	63 mm	6,8	50	6



### Pressure pipe PE40, SDR9, KIWA

Material : PE40  
Colour : black  
SDR class: SDR9  
Approval : KIWA

PART NO.	SIZE	WALL THICK-NESS mm	LENGTH m	PRESSURE bar
0700211	16 mm	1,8	50	6
0700212	16 mm	1,8	100	6
0700218	20 mm	2,2	50	6
0700219	20 mm	2,2	100	6
0700224	25 mm	2,7	50	6
0700225	25 mm	2,7	100	6
0700231	32 mm	3,5	50	6
0700232	32 mm	3,5	100	6
0700239	40 mm	4,3	50	6
0700240	40 mm	4,3	100	6
0700249	50 mm	5,4	50	6
0700250	50 mm	5,4	100	6
0700263	63 mm	6,8	50	6
0700264	63 mm	6,8	100	6



### Pressure pipe PE80, SDR17

Material : PE80  
Colour : black  
SDR class: SDR17

PART NO.	SIZE	WALL THICK-NESS mm	LENGTH m	PRESSURE bar
0700109	25 mm	2,0	100	8
0700110	32 mm	2,0	100	8
0700111	40 mm	2,4	100	8
0700112	50 mm	3,0	100	8
0700113	63 mm	3,8	100	8
0700114	75 mm	4,5	100	8
0700115	90 mm	5,4	100	8
0700116	110 mm	6,6	100	8



### Pressure pipe PE100, SDR17

Material : PE100  
Colour : black  
SDR class: SDR17

PART NO.	SIZE	WALL THICK-NESS mm	LENGTH m	PRESSURE bar
0701086	32 mm	2,0	50	10
0700086	32 mm	2,0	100	10
0701087	40 mm	2,4	50	10
0700087	40 mm	2,4	100	10
0701088	50 mm	3,0	50	10
0700088	50 mm	3,0	100	10
0701089	63 mm	3,8	50	10
0700089	63 mm	3,8	100	10
0701090	75 mm	4,5	50	10
0700090	75 mm	4,5	100	10
0701091	90 mm	5,4	50	10
0700091	90 mm	5,4	100	10



### Pressure pipe PE100, SDR11

Material : PE100  
Colour : black/blue  
SDR class : SDR11  
DIN Standard: DIN 8074/8075

PART NO.	SIZE	WALL THICK-NESS mm	LENGTH m	PRESSURE bar
0706080	20 mm	2,0	100	16
0706081	25 mm	2,3	100	16
0706082	32 mm	3,0	100	16
0706083	40 mm	3,7	100	16
0706084	50 mm	4,6	100	16
0706085	63 mm	5,8	100	16
0706086	75 mm	6,8	100	16
0706087	90 mm	8,2	100	16
0706088	110 mm	10,0	100	16



### Pressure pipe PE100, SDR11

Material: PE100  
Colour : black

PART NO.	SIZE	WALL THICK-NESS mm	LENGTH m	PRESSURE bar
0700071	25 mm	2,3	100	16
0700072	32 mm	3,0	100	16
0700073	40 mm	3,7	100	16
0700074	50 mm	4,6	100	16
0700075	63 mm	5,8	100	16

# PLASTIC PRESSURE PIPING SYSTEMS



## PE 80 Pressure pipe, SDR 11

Material : PE80  
 Colour : black/blue  
 SDR class: SDR11  
 Approval : DVGW

PART NO.	SIZE	WALL THICK-NESS mm	LENGTH m	PRESSURE bar
0390001	20 mm	2,0	6	12,5
0390002	25 mm	2,3	6	12,5
0390003	32 mm	3,0	6	12,5
0390004	40 mm	3,7	6	12,5
0390005	50 mm	4,6	6	12,5
0390006	63 mm	5,8	6	12,5
0390007	75 mm	6,9	6	12,5
0390008	90 mm	8,2	6	12,5
0390009	110 mm	10,0	6	12,5



## PE 100 Pressure pipe, SDR11

Material : PE100  
 Colour : black  
 SDR class: SDR11

PART NO.	SIZE	WALL THICK-NESS mm	LENGTH m	PRESSURE bar
0389982	25 mm	2,3	6	16
0389983	32 mm	3,0	6	16
0389984	40 mm	3,7	6	16
0389985	50 mm	4,6	6	16
0389986	63 mm	5,8	6	16
0389987	75 mm	6,8	6	16
0389988	90 mm	8,2	6	16
0389989	110 mm	10,0	6	16

## PE Pipes, Straight Lengths



## PE 100 Pressure pipe, SDR17

Material : PE100  
 Colour : black/blue  
 SDR class: SDR17  
 Approval : DVGW

PART NO.	SIZE	WALL THICK-NESS mm	LENGTH m	PRESSURE bar
0390600	32 mm	2,0	6	10
0390601	40 mm	2,4	6	10
0390602	50 mm	3,0	6	10
0390603	63 mm	3,8	6	10
0390604	75 mm	4,5	6	10
0390605	90 mm	5,4	6	10
0390606	110 mm	6,6	6	10
0390607	125 mm	7,4	6	10
0390608	140 mm	8,3	6	10
0390609	160 mm	9,5	6	10
0390611	200 mm	11,9	6	10
0390612	225 mm	13,4	6	10
0390616	250 mm	14,8	6	10



## Retaining knee rail

Connection: plain  
 Material : PE  
 Colour : black

PART NO.	SIZE	WALL THICK-NESS mm	LENGTH m
7024209	125 mm	7,4	6
7024210	125 mm	7,4	10
7024211	160 mm	9,5	6
7024212	160 mm	160	10





DRINKERS

PLASTIC PRESSURE  
PIPING SYSTEMS

FASTENERS AND  
ADHESIVES

CLAMPS

METAL VALVES

COUPLINGS AND  
ACCESSORIES

HOSES

METAL PIPES AND  
FITTINGS

MEASUREMENT, REGULATION  
AND FILTRATION

PUMPS, PRESSURE TANKS  
AND ACCESSORIES

TANKS

CLIMATE

# PLASTIC PRESSURE PIPING SYSTEMS

## Compression Fittings, Jason



### Jason Coupler

Connection: compression  
 Material : PP  
 Colour : black/blue  
 Approval : DVGW/KIWA/  
 WRAS/SVGW



PART NO.	SIZE	PRESSURE bar	PACKAGING pcs	
0706016	16 mm	16	25	525
0706020	20 mm	16	15	315
0706025	25 mm	16	15	225
0706032	32 mm	16	10	120
0706040	40 mm	16	1	72
0706050	50 mm	16	1	44
0706063	63 mm	16	1	30
0706075	75 mm	12.5	1	16
0706090	90 mm	12.5	1	10
0706099	110 mm	12.5	1	5



### Jason Adaptor

Connection: compression x  
 male thread  
 Material : PP  
 Colour : black/blue  
 Approval : DVGW/KIWA/  
 WRAS/SVGW



PART NO.	SIZE	PRESSURE bar	PACKAGING pcs	
0706216	16 mm x 3/8"	16	25	750
0706217	16 mm x 1/2"	16	25	750
0706218	16 mm x 3/4"	16	25	750
0706220	20 mm x 1/2"	16	25	500
0706221	20 mm x 3/4"	16	25	500
0706222	20 mm x 1"	16	25	450
0706224	25 mm x 1/2"	16	20	360
0706225	25 mm x 3/4"	16	20	320
0706226	25 mm x 1"	16	20	320
0706231	32 mm x 1/2"	16	10	180
0706232	32 mm x 3/4"	16	10	180
0706233	32 mm x 1"	16	10	180
0706234	32 mm x 1 1/4"	16	10	180
0706235	32 mm x 1 1/2"	16	1	150
0706239	40 mm x 1"	16	1	100
0706240	40 mm x 1 1/4"	16	1	100
0706241	40 mm x 1 1/2"	16	1	100
0706242	40 mm x 2"	16	1	100
0706248	50 mm x 1"	16	1	80
0706249	50 mm x 1 1/4"	16	1	80
0706250	50 mm x 1 1/2"	16	1	80
0706251	50 mm x 2"	16	1	70
0706263	63 mm x 1 1/2"	16	1	45
0706264	63 mm x 2"	16	1	45
0706265	63 mm x 2 1/2"	16	1	40
0706275	75 mm x 2"	12.5	1	26
0706276	75 mm x 2 1/2"	12.5	1	26
0706277	75 mm x 3"	12.5	1	26
0706289	90 mm x 2 1/2"	12.5	1	16
0706290	90 mm x 2"	12.5	1	16
0706291	90 mm x 3"	12.5	1	16
0706293	90 mm x 4"	12.5	1	16
0706295	110 mm x 2"	12.5	1	8
0706297	110 mm x 3"	12.5	1	8
0706298	110 mm x 4"	12.5	1	8



### Jason Reducing coupler

Connection: compression  
 Material : PP  
 Colour : black/blue  
 Approval : DVGW/KIWA/  
 WRAS/SVGW



PART NO.	SIZE	PRESSURE bar	PACKAGING pcs	
0706120	20 mm x 16 mm	16	20	360
0706125	25 mm x 16 mm	16	20	300
0706126	25 mm x 20 mm	16	15	255
0706132	32 mm x 20 mm	16	10	180
0706133	32 mm x 25 mm	16	10	150
0706140	40 mm x 25 mm	16	1	100
0706141	40 mm x 32 mm	16	1	85
0706151	50 mm x 32 mm	16	1	60
0706152	50 mm x 40 mm	16	1	60
0706163	63 mm x 32 mm	16	1	40
0706164	63 mm x 40 mm	16	1	25
0706165	63 mm x 50 mm	16	1	30
0706176	75 mm x 63 mm	12.5	1	18
0706190	90 mm x 63 mm	12.5	1	12
0706191	90 mm x 75 mm	12.5	1	12
0706199	110 mm x 90 mm	12.5	1	8



### Jason Adaptor

Connection: compression x female thread  
 Material : PP  
 Colour : black/blue  
 Approval : DVGW/KIWA/WRAS/SVGW



PART NO.	SIZE	PRESSURE bar	PACKAGING pcs	
0706315	16 mm x 3/8"	16	25	750
0706316	16 mm x 1/2"	16	25	750
0706317	16 mm x 3/4"	16	25	750
0706319	20 mm x 3/8"	16	1	500
0706320	20 mm x 1/2"	16	25	500
0706321	20 mm x 3/4"	16	25	500
0706324	25 mm x 1/2"	16	20	360
0706325	25 mm x 3/4"	16	20	360
0706326	25 mm x 1"	16	20	340
0706330	32 mm x 1/2"	16	10	220
0706331	32 mm x 3/4"	16	10	220
0706332	32 mm x 1"	16	10	220
0706333	32 mm x 1 1/4"	16	10	150
0706334	32 mm x 1 1/2"	16	10	150
0706340	40 mm x 1"	16	1	100
0706341	40 mm x 1 1/4"	16	1	100
0706342	40 mm x 1 1/2"	16	1	100
0706349	50 mm x 1 1/4"	16	1	65
0706350	50 mm x 1 1/2"	16	1	65
0706351	50 mm x 2"	16	1	65
0706362	63 mm x 1 1/2"	16	1	45
0706363	63 mm x 2"	16	1	45
0706364	63 mm x 2 1/2"	16	1	40
0706375	75 mm x 2"	12.5	1	26
0706376	75 mm x 2 1/2"	12.5	1	26
0706377	75 mm x 3"	12.5	1	26
0706389	90 mm x 2 1/2"	12.5	1	16
0706390	90 mm x 2"	12.5	1	16
0706391	90 mm x 3"	12.5	1	16
0706395	110 mm x 3"	12.5	1	8
0706396	110 mm x 4"	12.5	1	8



### Elbow 45°

Connection: compression  
 Material : PP  
 Colour : black/white  
 Approval : KIWA



PART NO.	SIZE	PRESSURE bar	PACKAGING pcs	
0706404	40 mm	16	60	60
0706405	50 mm	16	40	40
0706406	63 mm	16	24	24
0706408	90 mm	12.5	8	8



### Jason Elbow 90°

Connection: compression  
 Material : PP  
 Colour : black/blue  
 Approval : DVGW/KIWA/WRAS/SVGW



PART NO.	SIZE	PRESSURE bar	PACKAGING pcs	
0706516	16 mm	16	25	450
0706520	20 mm	16	20	240
0706525	25 mm	16	15	195
0706532	32 mm	16	1	100
0706540	40 mm	16	1	60
0706550	50 mm	16	1	36
0706563	63 mm	16	1	24
0706575	75 mm	12.5	1	12
0706590	90 mm	12.5	1	8
0706599	110 mm	12.5	1	4

# PLASTIC PRESSURE PIPING SYSTEMS

## Compression Fittings, Jason



### Jason Elbow 90°

Couplers from 1 1/4" with reinforcement ring.

Connection: compression x female thread

Material : PP  
 Colour : black/blue  
 Approval : DVGW/KIWA/WRAS/SVGW



### Jason Elbow 90°

Connection: compression x male thread

Material : PP  
 Colour : black/blue  
 Approval : DVGW/KIWA/WRAS/SVGW



PART NO.	SIZE	PRESSURE bar	PACKAGING pcs	
0706619	20 mm x 1/2"	16	25	375
0706620	20 mm x 3/4"	16	25	375
0706624	25 mm x 1/2"	16	20	260
0706625	25 mm x 3/4"	16	20	260
0706626	25 mm x 1"	16	20	260
0706630	32 mm x 1/2"	16	1	180
0706631	32 mm x 3/4"	16	1	180
0706632	32 mm x 1"	16	10	180
0706633	32 mm x 1 1/4"	16	1	90
0706636	40 mm x 3/4"	16	1	1
0706638	40 mm x 1 1/4"	16	1	75
0706639	40 mm x 1 1/2"	16	1	75
0706649	50 mm x 1 1/2"	16	1	55
0706650	50 mm x 2"	16	1	55
0706663	63 mm x 2"	16	1	30
0706676	75 mm x 2 1/2"	12.5	1	15
0706679	90 mm x 3"	12.5	1	10
0706681	110 mm x 4"	12.5	1	6

PART NO.	SIZE	PRESSURE bar	PACKAGING pcs	
0706717	16 mm x 1/2"	16	25	600
0706719	20 mm x 1/2"	16	25	425
0706720	20 mm x 3/4"	16	25	425
0706724	25 mm x 1/2"	16	20	360
0706725	25 mm x 3/4"	16	20	320
0706726	25 mm x 1"	16	20	300
0706731	32 mm x 3/4"	16	10	180
0706732	32 mm x 1"	16	10	180
0706740	40 mm x 1 1/4"	16	1	90
0706741	40 mm x 1 1/2"	16	1	90
0706750	50 mm x 1 1/2"	16	1	60
0706751	50 mm x 2"	16	1	60
0706762	75 mm x 2 1/2"	12.5	1	15
0706763	63 mm x 2"	16	1	30
0706764	63 mm x 2 1/2"	16	1	30
0706765	75 mm x 3"	12.5	1	15
0706766	90 mm x 3"	12.5	1	10
0706768	110 mm x 4"	12.5	1	6



### Jason T-piece 90°

Connection: compression  
 Material : PP  
 Colour : black/blue  
 Approval : DVGW/KIWA/  
 WRAS/SVGW

PART NO.	SIZE	PRESSURE bar	PACKAGING pcs	
0706816	16 mm	16	20	260
0706820	20 mm	16	15	150
0706825	25 mm	16	10	110
0706832	32 mm	16	1	70
0706840	40 mm	16	1	40
0706850	50 mm	16	1	25
0706863	63 mm	16	1	15
0706875	75 mm	12.5	1	8
0706890	90 mm	12.5	1	5
0706899	110 mm	12.5	1	2



### Jason T-piece 90°, reduced

Connection: compression  
 Material : PP  
 Colour : black/blue  
 Approval : DVGW/KIWA/  
 WRAS/SVGW

PART NO.	SIZE	PRESSURE bar	PACKAGING pcs	
0706923	20 mm x 16 mm x 20 mm	16	10	160
0706925	25 mm x 20 mm x 25 mm	16	10	120
0706932	32 mm x 25 mm x 32 mm	16	1	80
0706940	40 mm x 32 mm x 40 mm	16	1	40
0706950	50 mm x 40 mm x 50 mm	16	1	25
0706963	63 mm x 50 mm x 63 mm	16	1	16
0706975	75 mm x 63 mm x 75 mm	12.5	1	8
0706976	90 mm x 75 mm x 90 mm	12.5	1	5
0706977	110 mm x 90 mm x 110 mm	12.5	1	2



### Jason T-piece 90°

Couplers from 1¼" with reinforcement ring

Connection: compression x female  
 thread x compression  
 Material : PP  
 Colour : black/blue  
 Approval : DVGW/KIWA/  
 WRAS/SVGW

PART NO.	SIZE	PRESSURE bar	PACKAGING pcs	
0707016	16 mm x 1/2" x 16 mm	16	20	320
0707017	16 mm x 3/4" x 16 mm	16	20	320
0707020	20 mm x 1/2" x 20 mm	16	15	225
0707024	20 mm x 3/4" x 20 mm	16	15	225
0707025	25 mm x 1/2" x 25 mm	16	10	160
0707027	25 mm x 3/4" x 25 mm	16	10	160
0707028	25 mm x 1" x 25 mm	16	10	160
0707030	32 mm x 1/2" x 32 mm	16	1	100
0707031	32 mm x 3/4" x 32 mm	16	1	100
0707033	32 mm x 1" x 32 mm	16	1	100
0707039	40 mm x 3/4" x 40 mm	16	1	35
0707040	40 mm x 1" x 40 mm	16	1	30
0707041	40 mm x 1 1/4" x 40 mm	16	1	45
0707042	40 mm x 1 1/2" x 40 mm	16	1	45
0707050	50 mm x 1 1/2" x 50 mm	16	1	30
0707051	50 mm x 2" x 50 mm	16	1	30
0707063	63 mm x 2" x 63 mm	16	1	18
0707064	63 mm x 2 1/2" x 63 mm	16	1	18
0707074	75 mm x 2" x 75 mm	12.5	1	10
0707075	75 mm x 2 1/2" x 75 mm	12.5	1	10
0707080	90 mm x 3" x 90 mm	12.5	1	7
0707081	110 mm x 4" x 110 mm	12.5	1	4

# PLASTIC PRESSURE PIPING SYSTEMS

## Compression Fittings, Jason



### Jason T-piece 90°

Couplers from 1/4" with reinforcement ring

Connection: compression x male thread x compression

Material : PP  
Colour : black/blue  
Approval : DVGW/KIWA/WRAS/SVGW



### Flange adaptor

Connection: DIN flange x compression

Material : PP  
Colour : black  
Approval : DVGW/KIWA/WRAS/SVGW



PART NO.	SIZE	PRESSURE bar	PACKAGING pcs	
0707116	16 mm x 1/2" x 16 mm	16	20	320
0707117	16 mm x 3/4" x 16 mm	16	20	320
0707120	20 mm x 1/2" x 20 mm	16	15	180
0707121	20 mm x 3/4" x 20 mm	16	15	180
0707122	20 mm x 1" x 20 mm	16	15	160
0707124	25 mm x 1/2" x 25 mm	16	10	150
0707125	25 mm x 3/4" x 25 mm	16	15	150
0707126	25 mm x 1" x 25 mm	16	10	120
0707130	32 mm x 1/2" x 32 mm	16	1	100
0707131	32 mm x 3/4" x 32 mm	16	1	100
0707132	32 mm x 1" x 32 mm	16	1	85
0707137	40 mm x 1" x 40 mm	16	1	50
0707138	40 mm x 1 1/4" x 40 mm	16	1	50
0707140	40 mm x 1 1/2" x 40 mm	16	1	50
0707150	50 mm x 1 1/2" x 50 mm	16	1	30
0707151	50 mm x 2" x 50 mm	16	1	30
0707163	63 mm x 2" x 63 mm	16	1	20
0707200	75 mm x 2 1/2" x 75 mm	12.5	1	10
0707202	90 mm x 3" x 90 mm	12.5	1	6
0707209	110 mm x 4" x 110 mm	12.5	1	4

PART NO.	SIZE	PRESSURE bar	PCD mm
0707178	DN50 x 2" x 63 mm	16	125
0707181	DN65 x 2 1/2" x 75 mm	10	145
0707184	DN80 x 3" x 90 mm	10	160
0707187	DN100 x 4" x 110 mm	10	180



### Jason Cap

Connection: compression

Material : PP  
Colour : black/blue  
Approval : DVGW/KIWA/WRAS/SVGW



PART NO.	SIZE	PRESSURE bar	PACKAGING pcs	
0707190	16 mm	16	25	900
0707191	20 mm	16	20	500
0707192	25 mm	16	20	340
0707193	32 mm	16	10	220
0707194	40 mm	16	1	125
0707195	50 mm	16	1	80
0707196	63 mm	16	1	45
0707197	75 mm	12.5	1	26
0707198	90 mm	12.5	1	16
0707199	110 mm	12.5	1	10



### Jason Wall mounted elbow

With stainless steel reinforcement ring.

Connection: compression x female thread

Material : PP  
Colour : black/blue  
Approval : DVGW/KIWA/WRAS/SVGW



PART NO.	SIZE	PRESSURE bar	PACKAGING pcs	
7024727	16 mm x 1/2"	16	10	280
0707211	20 mm x 1/2"	16	10	240
0707212	25 mm x 3/4"	16	10	140



### Jason O-ring

Material : NBR

Approval: DVGW/KIWA/WRAS



PART NO.	SIZE	MOQ
0707320	16 mm	10
0707321	20 mm	10
0707322	25 mm	10
0707323	32 mm	10
0707324	40 mm	10
0707325	50 mm	10
0707326	63 mm	10
0707327	75 mm	10
0707328	90 mm	10
0707329	110 mm	1



### Jason Lock ring

Enables compression fittings to be used on PVC pipe

Material: stainless steel



PART NO.	SIZE
0703680	20 mm
0703681	25 mm
0703682	32 mm
0703683	40 mm
0703684	50 mm
0703685	63 mm



### Jason Repair coupler

Connection: compression

Material : PP

Colour : black/blue

Approval : DVGW/KIWA/  
WRAS/SVGW



PART NO.	SIZE	PRESSURE bar
7023905	32 mm	16
7023906	40 mm	16
7023907	50 mm	16
7023908	63 mm	16
7023909	75 mm	16
7023910	90 mm	16
7023911	110 mm	16

# PLASTIC PRESSURE PIPING SYSTEMS



## Coupler

Connection: compression  
Material : PP  
Colour : black/green



PART NO.	SIZE	PRESSURE bar
7027515	16 mm	10
7025054	20 mm	10
7025055	25 mm	10
7025056	32 mm	10
7025057	40 mm	10
7025058	50 mm	10
7025059	63 mm	10



## Reducing coupler

Connection: compression  
Material : PP  
Colour : black/green



PART NO.	SIZE	PRESSURE bar
7025060	25 mm x 20 mm	10
7025061	32 mm x 20 mm	10
7025062	32 mm x 25 mm	10
7025063	40 mm x 25 mm	10
7025064	40 mm x 32 mm	10
7025065	50 mm x 32 mm	10
7025066	50 mm x 40 mm	10
7025067	63 mm x 40 mm	10
7025068	63 mm x 50 mm	10



## Elbow 90°

Connection: compression  
Material : PP  
Colour : black/green



PART NO.	SIZE	PRESSURE bar
7027521	16 mm	10
7025069	20 mm	10
7025070	25 mm	10
7025071	32 mm	10
7025072	40 mm	10
7025073	50 mm	10
7025074	63 mm	10



## Elbow 90°

Connection: compression x male thread  
Material : PP  
Colour : black/green



PART NO.	SIZE	PRESSURE bar
7027517	16 mm x 1/2"	10
7027518	16 mm x 3/4"	10
7025026	20 mm x 1/2"	10
7025027	20 mm x 3/4"	10
7025028	25 mm x 1/2"	10
7025029	25 mm x 3/4"	10
7025030	25 mm x 1"	10
7025031	32 mm x 3/4"	10
7025032	32 mm x 1"	10
7025033	32 mm x 1 1/4"	10
7025034	40 mm x 1"	10
7025035	40 mm x 1 1/4"	10
7025036	40 mm x 1 1/2"	10
7025037	50 mm x 1 1/4"	10
7025038	50 mm x 1 1/2"	10
7025039	50 mm x 2"	10
7025040	63 mm x 2"	10





### Elbow 90°

Connection: compression x female thread  
 Material : PP  
 Colour : black/green



PART NO.	SIZE	PRESSURE bar
7027519	16 mm x 1/2"	10
7027520	16 mm x 3/4"	10
7025041	20 mm x 1/2"	10
7025042	20 mm x 3/4"	10
7025043	25 mm x 1/2"	10
7025044	25 mm x 3/4"	10
7025045	25 mm x 1"	10
7025046	32 mm x 1/2"	10
7025047	32 mm x 3/4"	10
7025048	32 mm x 1"	10
7025049	32 mm x 1 1/4"	10
7025050	40 mm x 1"	10
7025051	40 mm x 1 1/4"	10
7025052	50 mm x 1 1/2"	10
7025053	63 mm x 2"	10



### T-piece 90° reduced

Connection: compression  
 Material : PP  
 Colour : black/green



PART NO.	SIZE	PRESSURE bar
7025014	25 mm x 20 mm x 25 mm	10
7025015	25 mm x 32 mm x 25 mm	10
7025016	32 mm x 20 mm x 32 mm	10
7025017	32 mm x 25 mm x 32 mm	10
7025018	40 mm x 25 mm x 40 mm	10
7025019	40 mm x 32 mm x 40 mm	10
7025020	50 mm x 25 mm x 50 mm	10
7025021	50 mm x 32 mm x 50 mm	10
7025022	50 mm x 40 mm x 50 mm	10
7025023	63 mm x 32 mm x 63 mm	10
7025024	63 mm x 40 mm x 63 mm	10
7025025	63 mm x 50 mm x 63 mm	10



### T-piece 90°

Connection: compression  
 Material : PP  
 Colour : black/green



PART NO.	SIZE	PRESSURE bar
7027526	16 mm	10
7025008	20 mm	10
7025009	25 mm	10
7025010	32 mm	10
7025011	40 mm	10
7025012	50 mm	10
7025013	63 mm	10



### T-piece 90°

Connection: compression x female thread x compression  
 Material : PP  
 Colour : black/green



PART NO.	SIZE	PRESSURE bar
7027524	16 mm x 1/2" x 16 mm	10
7027525	16 mm x 3/4" x 16 mm	10
7024996	20 mm x 1/2" x 20 mm	10
7024997	20 mm x 3/4" x 20 mm	10
7024998	25 mm x 1/2" x 25 mm	10
7024999	25 mm x 3/4" x 25 mm	10
7025000	25 mm x 1" x 25 mm	10
7027527	32 mm x 1/2" x 32 mm	10
7025001	32 mm x 3/4" x 32 mm	10
7025002	32 mm x 1" x 32 mm	10
7025003	32 mm x 1 1/4" x 32 mm	10
7025004	40 mm x 1" x 40 mm	10
7025005	40 mm x 1 1/4" x 40 mm	10
7025006	50 mm x 1 1/2" x 50 mm	10
7025007	63 mm x 2" x 63 mm	10

# PLASTIC PRESSURE PIPING SYSTEMS



## T-piece 90°

Connection: compression x male thread x compression

Material : PP  
Colour : black/green



PART NO.	SIZE	PRESSURE bar
7027522	16 mm x 1/2" x 16 mm	10
7027523	16 mm x 3/4" x 16 mm	10
7024983	20 mm x 1/2" x 20 mm	10
7024984	20 mm x 3/4" x 20 mm	10
7024985	25 mm x 1/2" x 25 mm	10
7024986	25 mm x 3/4" x 25 mm	10
7024987	25 mm x 1" x 25 mm	10
7024988	32 mm x 3/4" x 32 mm	10
7024989	32 mm x 1" x 32 mm	10
7024990	32 mm x 1 1/4" x 32 mm	10
7024991	40 mm x 1" x 40 mm	10
7024992	40 mm x 1 1/4" x 40 mm	10
7024993	50 mm x 1,25" x 50 mm	10
7024994	50 mm x 1 1/2" x 50 mm	10
7024995	63 mm x 2" x 63 mm	10



## Adaptor socket

Connection: compression x female thread

Material : PP  
Colour : black/green



PART NO.	SIZE	PRESSURE bar
7027513	16 mm x 1/2"	10
7027514	16 mm x 3/4"	10
7024947	20 mm x 1/2"	10
7024948	20 mm x 3/4"	10
7024949	25 mm x 1/2"	10
7024950	25 mm x 3/4"	10
7024951	25 mm x 1"	10
7024952	32 mm x 3/4"	10
7024953	32 mm x 1"	10
7024954	32 mm x 1 1/4"	10
7024955	40 mm x 1"	10
7024956	40 mm x 1 1/4"	10
7024957	40 mm x 1 1/2"	10
7024958	50 mm x 1 1/2"	10
7024959	63 mm x 2"	10

## Compression Fittings, PN10



## Adaptor bush

Connection: compression x male thread

Material : PP  
Colour : black/green



PART NO.	SIZE	PRESSURE bar
7027511	16 mm x 1/2"	10
7027512	16 mm x 3/4"	10
7024966	20 mm x 1/2"	10
7024967	20 mm x 3/4"	10
7024968	25 mm x 1/2"	10
7024969	25 mm x 3/4"	10
7024970	25 mm x 1"	10
7024971	32 mm x 3/4"	10
7024972	32 mm x 1"	10
7024973	32 mm x 1 1/4"	10
7024974	40 mm x 3/4"	10
7024975	40 mm x 1"	10
7024976	40 mm x 1 1/4"	10
7024977	40 mm x 1 1/2"	10
7024978	50 mm x 1 1/4"	10
7024979	50 mm x 1 1/2"	10
7024980	50 mm x 2"	10
7024981	63 mm x 1 1/2"	10
7024982	63 mm x 2"	10



## Cap

Connection: compression

Material : PP  
Colour : black/green



PART NO.	SIZE	PRESSURE bar
7027516	16 mm	10
7024960	20 mm	10
7024961	25 mm	10
7024962	32 mm	10
7024963	40 mm	10
7024964	50 mm	10
7024965	63 mm	10

## Transition Compression Fittings, Universal



### Universal transition straight coupler

Connection: compression  
Material : PP  
Colour : grey/black



### Transition insert

Connection: spigot x imperial compression  
Material : PP

PART NO.	SIZE	PRESSURE bar
0704836	15-21 mm x 20 mm	10
0704837	15-21 mm x 25 mm	10
0704838	15-21 mm x 32 mm	10
0704839	15-21 mm x 40 mm	10
0704840	21-27 mm x 20 mm	10
0704841	21-27 mm x 25 mm	10
0704842	21-27 mm x 32 mm	10
0704843	21-27 mm x 40 mm	10
0704844	21-27 mm x 50 mm	10
0704845	27-35 mm x 25 mm	10
0704846	27-35 mm x 32 mm	10
0704847	27-35 mm x 40 mm	10
0704848	27-35 mm x 50 mm	10
0704849	27-35 mm x 63 mm	10
0704850	35-50 mm x 32 mm	10
0704851	35-50 mm x 40 mm	10
0704852	35-50 mm x 50 mm	10
0704853	35-50 mm x 63 mm	10

PART NO.	SIZE	BS 3505
7007665	20 mm x 1/2"	Class D-PN12
7007666	25 mm x 3/4"	Class D-PN12
7007667	32 mm x 1"	Class D-PN12
7007668	50 mm x 1 1/4"	Class D-PN12
7007669	50 mm x 1 1/2"	Class D-PN12
7007670	20 mm x 1/2"	Class C-PN9
7007671	25 mm x 3/4"	Class C-PN9
7007672	32 mm x 1"	Class C-PN9
7007673	50 mm x 1 1/4"	Class C-PN9
7007674	50 mm x 1 1/2"	Class C-PN9
7007675	63 mm x 2"	Class C-PN9

# PLASTIC PRESSURE PIPING SYSTEMS

## PP Saddles for PE / PVC Pipes



### Jason Bolt saddle

Connection : clamp x female thread  
 Material : PP  
 Colour : black  
 Material seal : NBR  
 Material bolts: steel



### Jason Bolt saddle

Connection : clamp x female thread  
 Material : PP  
 Colour : black  
 Material seal : NBR  
 Material bolts: steel



PART NO.	SIZE	NUMBER OF BOLTS / NUTS	PRESSURE bar	TYPE
0120525	20 mm x 1/2"	2	16	
0120527	25 mm x 1/2"	2	16	
0120528	25 mm x 3/4"	2	16	
0120531	32 mm x 1/2"	2	16	
0120532	32 mm x 3/4"	2	16	
0120533	32 mm x 1"	2	16	
0120538	40 mm x 1/2"	2	16	
0120539	40 mm x 3/4"	2	16	
0120540	40 mm x 1"	2	16	
0120548	50 mm x 1/2"	4	16	
0120549	50 mm x 3/4"	4	16	
0120550	50 mm x 1"	4	16	
0120551	50 mm x 1 1/4"	4	16	SS ring
0120563	63 mm x 1/2"	4	16	
0120564	63 mm x 3/4"	4	16	
0120565	63 mm x 1"	4	16	
0120566	63 mm x 1 1/4"	4	12.5	SS ring
0120567	63 mm x 1 1/2"	4	12.5	SS ring
0120575	75 mm x 1/2"	4	16	
0120576	75 mm x 3/4"	4	16	
0120577	75 mm x 1"	4	16	
0120578	75 mm x 1 1/4"	4	12.5	SS ring
0120579	75 mm x 1 1/2"	4	12.5	SS ring
0120580	75 mm x 2"	4	12.5	SS ring
0120590	90 mm x 1/2"	4	16	
0120591	90 mm x 3/4"	4	16	
0120592	90 mm x 1"	4	16	
0120593	90 mm x 1 1/4"	4	12.5	SS ring
0120594	90 mm x 1 1/2"	4	12.5	SS ring
0120595	90 mm x 2"	4	12.5	SS ring
0120609	110 mm x 1/2"	4	16	
0120610	110 mm x 3/4"	4	16	
0120611	110 mm x 1"	4	16	
0120612	110 mm x 1 1/4"	4	12.5	SS ring

PART NO.	SIZE	NUMBER OF BOLTS / NUTS	PRESSURE bar	TYPE
0120613	110 mm x 1 1/2"	4	12.5	SS ring
0120614	110 mm x 2"	4	12.5	SS ring
0100890	110 mm x 2 1/2"	4	12.5	SS ring
0100891	110 mm x 3"	4	12.5	SS ring
0120625	125 mm x 3/4"	4	6	
0120626	125 mm x 1"	4	6	
0120627	125 mm x 1 1/4"	4	6	SS ring
0120628	125 mm x 1 1/2"	4	6	SS ring
0120629	125 mm x 2"	4	6	SS ring



### Clamp saddle

Connection : clamp x female thread  
 Material : PP  
 Colour : black  
 Material seal : NBR  
 Type : wedge

PART NO.	SIZE	PRESSURE bar
0149500	32 mm x 1/2"	6
0149501	32 mm x 3/4"	6
0149504	40 mm x 3/4"	6
0149506	50 mm x 1/2"	6
0149507	50 mm x 3/4"	6
0149511	63 mm x 1/2"	6
0149512	63 mm x 3/4"	6
0149513	63 mm x 1"	6



### Jason Bolt saddle

Connection : clamp x female thread  
 Material : PP  
 Colour : black  
 Material seal : NBR  
 Material bolts: steel



### Set bolts + nuts

When clamp saddles are installed underground, it is recommended to use Stainless Steel bolts & nuts.

Material: stainless steel A2

PART NO.	SIZE	NUMBER OF BOLTS / NUTS	PRESSURE bar	TYPE
0120738	140 mm x 1"	6	6	
0120739	140 mm x 1 1/4"	6	6	SS ring
0120740	140 mm x 1 1/2"	6	6	SS ring
0120741	140 mm x 2"	6	6	SS ring
0100893	140 mm x 3"	6	6	SS ring
0120630	160 mm x 3/4"	6	6	
0120631	160 mm x 1"	6	6	
0120632	160 mm x 1 1/4"	6	6	SS ring
0120633	160 mm x 1 1/2"	6	6	SS ring
0120634	160 mm x 2"	6	6	SS ring
0120635	160 mm x 3"	6	6	SS ring
0120636	160 mm x 4"	6	6	SS ring
0100895	180 mm x 1 1/2"	6	6	SS ring
0100896	180 mm x 2"	6	6	SS ring
0120641	200 mm x 1"	6	6	
0120642	200 mm x 1 1/4"	6	6	SS ring
0120643	200 mm x 1 1/2"	6	6	SS ring
0120644	200 mm x 2"	6	6	SS ring
0120645	200 mm x 3"	6	6	SS ring
0120646	200 mm x 4"	6	6	SS ring
0100900	225 mm x 1"	6	6	
0100901	225 mm x 1 1/4"	6	6	SS ring
0120647	225 mm x 1 1/2"	6	6	SS ring
0120648	225 mm x 2"	6	6	SS ring
0120649	225 mm x 3"	6	6	SS ring
0120650	225 mm x 4"	6	6	SS ring
0100888	250 mm x 1"	6	6	
0120651	250 mm x 2"	6	6	SS ring
0120652	250 mm x 3"	6	6	SS ring
0120653	250 mm x 4"	6	6	SS ring
0100905	280 mm x 1 1/4"	6	6	SS ring
0100909	280 mm x 4"	6	6	SS ring
0120658	315 mm x 1"	6	6	SS ring
0120655	315 mm x 2"	6	6	SS ring
0120656	315 mm x 3"	6	6	SS ring
0120657	315 mm x 4"	6	6	SS ring

PART NO.	SIZE	FEATURE	SUITABLE FOR
7024653	M8 x 40 mm	2 bolts + nuts	Bolt saddle 40mm
7024654	M8 x 50 mm	4 bolts + nuts	Bolt saddle 50-63-75mm
7024655	M8 x 60 mm	4 bolts + nuts	Bolt saddle 90mm
7024656	M8 x 65 mm	4 bolts + nuts	Bolt saddle 110-125mm
7024657	M8 x 65 mm	6 bolts + nuts	Bolt saddle 140-160mm

# PLASTIC PRESSURE PIPING SYSTEMS



## Jason EF Socket

Suitable for the connection of PE pipes and fittings. Complete with 4 mm electrical connector, welding indicator and barcode reader.

Connection: electrofusion socket

Material : PE100

Approval : DVGW



PART NO.	SIZE	PRESSURE, GAS bar	PRESSURE, WATER bar	SDR CLASS
0302152	75 mm	10	16	SDR 11
0302153	90 mm	10	16	SDR 11
0302154	110 mm	10	16	SDR 11
0302155	125 mm	10	16	SDR 11
0302156	140 mm	10	16	SDR 11
0302157	160 mm	16	25	SDR 11
0302161	250 mm	16	25	SDR 9



## Jason EF Elbow 90°

Suitable for the connection of PE pipes and fittings. Complete with 4 mm electrical connector, welding indicator and barcode reader.

Connection: electrofusion socket

Material : PE100

Approval : DVGW



PART NO.	SIZE	PRESSURE, GAS bar	PRESSURE, WATER bar	SDR CLASS
7007381	140 mm	10	16	SDR 11
0302185	160 mm	10	16	SDR 11
0302186	200 mm	10	16	SDR 11

# Jason PE100 Electrofusion and Butt Welding Fittings



## Jason EF Reducer

Suitable for the connection of PE pipes and fittings. Complete with 4 mm electrical connector, welding indicator and barcode reader.

Connection: electrofusion socket

Material : PE100

SDR class : SDR 11

Approval : DVGW



PART NO.	SIZE	PRESSURE, GAS bar	PRESSURE, WATER bar
0302208	32 mm x 20 mm	10	16
0302209	32 mm x 25 mm	10	16
7025502	40 mm x 20 mm	10	16
7025503	40 mm x 25 mm	10	16
0302210	40 mm x 32 mm	10	16
0302211	50 mm x 32 mm	10	16
0302212	50 mm x 40 mm	10	16
0302213	63 mm x 32 mm	10	16
0302214	63 mm x 40 mm	10	16
0302215	63 mm x 50 mm	10	16
0302216	75 mm x 63 mm	10	16
0302217	90 mm x 50 mm	10	16
0302218	90 mm x 63 mm	10	16
0302219	90 mm x 75 mm	10	16
0302220	110 mm x 63 mm	10	16
0302221	110 mm x 90 mm	10	16
0302222	125 mm x 110 mm	10	16
0302223	125 mm x 90 mm	10	16
0302224	160 mm x 90 mm	10	16
0302225	160 mm x 110 mm	10	16
0302226	160 mm x 125 mm	10	16



### Jason EF Elbow 45°

Suitable for the connection of PE pipes and fittings. Complete with 4 mm electrical connector, welding indicator and barcode reader.

Connection: electrofusion socket

Material : PE100

Approval : DVGW



PART NO.	SIZE	PRESSURE, GAS bar	PRESSURE, WATER bar	SDR CLASS
0302193	110 mm	16	25	SDR 7,6
0302194	125 mm	10	16	SDR 11
0302195	160 mm	10	16	SDR 11



### Jason EF Elbow 90°

Suitable for the connection of PE pipes and fittings. Complete with 4 mm electrical connector, welding indicator and barcode reader.

Connection: electrofusion socket  
x female thread

Material : PE100/brass

SDR class : SDR 7,4

Approval : DVGW



PART NO.	SIZE	PRESSURE, GAS bar	PRESSURE, WATER bar
7025426	20 mm x 1/2"	16	25
7025427	25 mm x 3/4"	16	25
7025428	32 mm x 1"	16	25
7025429	40 mm x 1 1/4"	16	25
7025430	50 mm x 1 1/2"	16	25
7025431	63 mm x 2"	16	25
7025432	75 mm x 2 1/2"	16	25
7025433	90 mm x 3"	16	25
7025434	110 mm x 4"	10	16



### Jason EF Elbow 90°

Suitable for the connection of PE pipes and fittings. Complete with 4 mm electrical connector, welding indicator and barcode reader.

Connection: electrofusion socket

Material : PE100

SDR class : SDR 11

Approval : DVGW



PART NO.	SIZE	PRESSURE, GAS bar	PRESSURE, WATER bar
7025467	25 mm	16	25
7025468	32 mm	16	25
7025469	40 mm	16	25
7025470	50 mm	16	25
7025471	63 mm	16	25
7025472	75 mm	16	25
7025473	90 mm	16	25
7025474	110 mm	16	25
7025475	225 mm	10	16
7025476	250 mm	10	16
7025477	315 mm	10	16



### Jason EF Elbow 45°

Suitable for the connection of PE pipes and fittings. Complete with 4 mm electrical connector, welding indicator and barcode reader.

Connection: electrofusion socket

Material : PE100

SDR class : SDR 11

Approval : DVGW



PART NO.	SIZE	PRESSURE, GAS bar	PRESSURE, WATER bar
7025447	32 mm	16	25
7025448	40 mm	16	25
7025449	50 mm	16	25
7025450	63 mm	16	25
7025451	75 mm	16	25
7025452	90 mm	16	25
7025453	140 mm	16	25
7025454	200 mm	10	16

# PLASTIC PRESSURE PIPING SYSTEMS



## Jason EF T-piece 90°

Suitable for the connection of PE pipes and fittings. Complete with 4 mm electrical connector, welding indicator and barcode reader.

Use an electrofusion reducer or socket and concentric reducer to make a reduced T-piece

Connection: electrofusion socket x spigot x electrofusion socket

Material : PE100

SDR class : SDR 11

Approval : DVGW



PART NO.	SIZE	PRESSURE, GAS bar	PRESSURE, WATER bar
0302166	25 mm	10	16
0302167	32 mm	10	16
0302168	40 mm	10	16
0302169	50 mm	10	16
0302170	63 mm	10	16
0302171	75 mm	10	16
0302172	90 mm	10	16
0302173	110 mm	10	16
0302174	125 mm	10	16
7007382	140 mm	10	16
0302175	160 mm	10	16
7025501	200 mm	10	16



## Jason EF Transition socket

Transition fitting suitable for the connection of PE pipes and fittings with threaded fittings or valves. Complete with 4 mm electrical connector, welding indicator and barcode reader.

Connection: electrofusion socket x female thread

Material : PE100/brass

SDR class : SDR 7,4

Approval : DVGW



PART NO.	SIZE	PRESSURE, GAS bar	PRESSURE, WATER bar
7025424	90 mm x 3"	16	25
7025425	110 mm x 4"	16	25

# Jason PE100 Electrofusion and Butt Welding Fittings



## Jason EF Transition socket

Transition fitting suitable for the connection of PE pipes and fittings with threaded fittings or valves. Complete with 4 mm electrical connector, welding indicator and barcode reader.

Connection: electrofusion socket x male thread

Material : PE100/brass

Approval : DVGW



PART NO.	SIZE	PRESSURE, GAS bar	PRESSURE, WATER bar	SDR CLASS
0302279	20 mm x 1/2"	16	25	SDR 7,6
0302280	25 mm x 3/4"	16	25	SDR 7,6
0302281	32 mm x 1"	16	25	SDR 7,6
0302282	40 mm x 1 1/4"	16	25	SDR 7,6
0302283	50 mm x 1 1/2"	16	25	SDR 7,6
0302284	63 mm x 2"	16	25	SDR 7,6
0302285	75 mm x 2 1/2"	16	25	SDR 7,6
7025422	90 mm x 3"	16	25	SDR 7,4
7025423	110 mm x 4"	16	25	SDR 7,4



## Jason EF Transition socket

Transition fitting suitable for the connection of PE pipes and fittings with threaded fittings or valves. Complete with 4 mm electrical connector, welding indicator and barcode reader.

Connection: electrofusion socket x female thread

Material : PE100/brass

SDR class : SDR 7,6

Approval : DVGW



PART NO.	SIZE	PRESSURE, GAS bar	PRESSURE, WATER bar
0302286	20 mm x 1/2"	16	25
0302287	25 mm x 3/4"	16	25
0302288	32 mm x 1"	16	25
0302289	40 mm x 1 1/4"	16	25
0302290	50 mm x 1 1/2"	16	25
0302291	63 mm x 2"	16	25
0302292	75 mm x 2 1/2"	16	25





### Jason EF Cap

Suitable for the connection of PE pipes and fittings. Complete with 4 mm electrical connector, welding indicator and barcode reader.

Connection: electrofusion socket

Material : PE100

Approval : DVGW



PART NO.	SIZE	PRESSURE, GAS bar	PRESSURE, WATER bar	SDR CLASS
7025435	20 mm	10	25	SDR 7,4
7025436	25 mm	16	25	SDR 7,4
7025437	32 mm	16	25	SDR 11
7025438	40 mm	16	25	SDR 11
7025439	50 mm	16	25	SDR 11
7025440	63 mm	16	25	SDR 11
7025441	75 mm	16	25	SDR 11
7025442	90 mm	16	25	SDR 11
7025443	110 mm	16	25	SDR 11
7025444	125 mm	16	25	SDR 11
7025445	140 mm	16	25	SDR 11
7025446	160 mm	16	25	SDR 11



### Jason EF Socket

Suitable for the connection of PE pipes and fittings. Complete with 4 mm electrical connector, welding indicator and barcode reader.

Connection: electrofusion socket

Material : PE100

SDR class : SDR 11

Approval : DVGW



PART NO.	SIZE	PRESSURE, GAS bar	PRESSURE, WATER bar	SDR CLASS
7025455	20 mm	16	25	SDR 11
7025456	25 mm	16	25	SDR 11
7025457	32 mm	16	25	SDR 11
7025458	40 mm	16	25	SDR 11
7025459	50 mm	16	25	SDR 11
7025460	63 mm	16	25	SDR 11
7025461	200 mm	10	16	SDR 7,4
7025462	225 mm	10	16	SDR 11
7025463	250 mm	10	16	SDR 11
7025464	315 mm	10	16	SDR 11
7025465	355 mm	10	16	SDR 11
7025466	400 mm	16	25	SDR 11



### Jason Elbow 90°

Suitable for electrofusion and butt welding

Connection: spigot

Material : PE100

SDR class : SDR 11

Approval : DVGW



PART NO.	SIZE	PRESSURE, GAS bar	PRESSURE, WATER bar
0302077	250 mm	10	16
0302078	315 mm	10	16



### Jason Elbow 45°

Suitable for electrofusion and butt welding

Connection: spigot

Material : PE100

SDR class : SDR 11

Approval : DVGW



PART NO.	SIZE	PRESSURE, GAS bar	PRESSURE, WATER bar
0302091	250 mm	10	16
0302092	315 mm	10	16

# PLASTIC PRESSURE PIPING SYSTEMS



## Jason T-piece 90°

Suitable for electrofusion and butt welding

Connection: spigot  
Material : PE100  
SDR class : SDR 11  
Approval : DVGW



PART NO.	SIZE	PRESSURE, GAS bar	PRESSURE, WATER bar
0302061	250 mm	10	16
0302062	315 mm	10	16



## Jason Concentric reducer

Suitable for electrofusion and butt welding

Connection: spigot  
Material : PE100  
SDR class : SDR 11  
Approval : DVGW



PART NO.	SIZE	PRESSURE, GAS bar	PRESSURE, WATER bar
0302110	32 mm x 20 mm	10	16
0302111	32 mm x 25 mm	10	16
0302112	40 mm x 20 mm	10	16
0302113	40 mm x 25 mm	10	16
0302114	40 mm x 32 mm	10	16
0302115	50 mm x 25 mm	10	16
0302116	50 mm x 32 mm	10	16
0302117	50 mm x 40 mm	10	16
0302129	125 mm x 75 mm	10	16
0302133	160 mm x 90 mm	10	16
0302134	160 mm x 110 mm	10	16
0302135	160 mm x 125 mm	10	16
0302136	160 mm x 140 mm	10	16
0302137	200 mm x 160 mm	10	16
0302138	225 mm x 160 mm	10	16
0302139	250 mm x 200 mm	10	16
0302140	250 mm x 225 mm	10	16
0302141	315 mm x 225 mm	10	16
0302142	315 mm x 250 mm	10	16
7025499	140 mm x 110 mm	10	16
7025500	225 mm x 200 mm	10	16

# Jason PE100 Electrofusion and Butt Welding Fittings



## Jason T-piece 90° reduced

Connection: electrofusion socket

Material : PE100  
SDR class : SDR 11  
Approval : DVGW



PART NO.	SIZE	PRESSURE, GAS bar	PRESSURE, WATER bar
7025480	63 mm x 40 mm x 63 mm	10	16
7025481	63 mm x 50 mm x 63 mm	10	16
7025482	75 mm x 50 mm x 75 mm	10	16
7025483	75 mm x 63 mm x 75 mm	10	16
7025484	90 mm x 63 mm x 90 mm	10	16
7025485	90 mm x 75 mm x 90 mm	10	16
7025486	110 mm x 75 mm x 110 mm	10	16
7025487	110 mm x 90 mm x 110 mm	10	16
7025488	125 mm x 90 mm x 125 mm	10	16
7025489	140 mm x 110 mm x 140 mm	10	16
7025490	140 mm x 125 mm x 140 mm	10	16
7025491	160 mm x 125 mm x 160 mm	10	16
7025492	160 mm x 140 mm x 160 mm	10	16
7025493	200 mm x 160 mm x 200 mm	10	16
7025494	225 mm x 200 mm x 225 mm	10	16
7025495	250 mm x 200 mm x 250 mm	10	16
7025496	250 mm x 225 mm x 250 mm	10	16
7025497	315 mm x 225 mm x 315 mm	10	16
7025498	315 mm x 250 mm x 315 mm	10	16



### Jason Stub flange

Suitable for electrofusion and butt welding

Connection: spigot  
 Material : PE100  
 SDR class : SDR 11  
 Approval : DVGW



PART NO.	SIZE	OUTER Ø mm	PRESSURE, GAS bar	PRESSURE, WATER bar
0302044	250 mm	285	10	16
0302046	315 mm	335	10	16
7025478	355 mm		10	16
7025479	400 mm		10	16

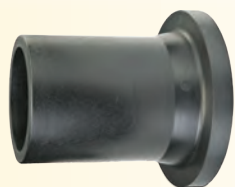
### Flange with cast iron reinforcement

Material: PP/steel  
 Colour : black



PART NO.	SIZE	DN	INNER Ø mm	PCD mm	HOLES	BOLT HOLE mm	FLANGE
0101933	63 mm	50	78	125	4	18	PN10/16
0101934	75 mm	65	92	145	4	18	PN10/16
0101935	90 mm	80	108	160	4	18	PN10/16
0101936	110 mm	100	128	180	8	18	PN10/16
0101937	125 mm	100	135	180	8	18	PN10/16
0101938	140 mm	125	158	210	8	18	PN10/16
0101939	160 mm	150	178	240	8	22	PN10/16
0101941	200 mm	200	235	295	8	22	PN10
0101942	225 mm	200	238	295	8	22	PN10

# PLASTIC PRESSURE PIPING SYSTEMS



## VDL Stub flange

Connection: spigot  
Material : PE100  
SDR class : SDR 11  
Approval : DVGW/KIWA

**V-L** Van de Lande

PART NO.	SIZE	PRESSURE, GAS bar	PRESSURE, WATER bar
7026758	20 mm	10	16
7026759	25 mm	10	16
7026760	32 mm	10	16
7026761	40 mm	10	16
7026762	50 mm	10	16
7026763	63 mm	10	16
7026764	75 mm	10	16
7026765	90 mm	10	16
7026766	110 mm	10	16
7026767	125 mm	10	16
7026768	140 mm	10	16
7026769	160 mm	10	16
7026770	180 mm	10	16
7026771	200 mm	10	16
7026772	225 mm	10	16

# VDL PE100 Electrofusion and Butt Welding Fittings



## VDL T-piece 90°

Connection: spigot  
Material : PE100  
SDR class : SDR 11  
Approval : DVGW/KIWA

**V-L** Van de Lande

PART NO.	SIZE	PRESSURE, GAS bar	PRESSURE, WATER bar
7026773	20 mm	10	16
7026774	25 mm	10	16
7026775	32 mm	10	16
7026776	40 mm	10	16
7026777	50 mm	10	16
7026778	63 mm	10	16
7026779	75 mm	10	16
7026780	90 mm	10	16
7026781	110 mm	10	16
7026782	125 mm	10	16
7026783	140 mm	10	16
7026784	160 mm	10	16
7026785	180 mm	10	16
7026786	200 mm	10	16
7026787	225 mm	10	16



## VDL Elbow 90°

Connection: spigot  
Material : PE100  
SDR class : SDR 11  
Approval : DVGW/KIWA

**V-L** Van de Lande

PART NO.	SIZE	PRESSURE, GAS bar	PRESSURE, WATER bar
7026788	20 mm	10	16
7026789	25 mm	10	16
7026790	32 mm	10	16
7026791	40 mm	10	16
7026792	50 mm	10	16
7026793	63 mm	10	16
7026794	75 mm	10	16
7026795	90 mm	10	16
7026796	110 mm	10	16
7026797	125 mm	10	16
7026798	140 mm	10	16
7026799	160 mm	10	16
7026800	180 mm	10	16
7026801	200 mm	10	16
7026802	225 mm	10	16

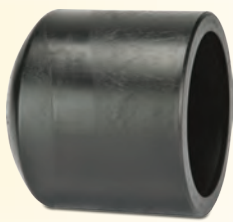


## VDL Elbow 45°

Connection: spigot  
Material : PE100  
SDR class : SDR 11  
Approval : DVGW/KIWA

**V-L** Van de Lande

PART NO.	SIZE	PRESSURE, GAS bar	PRESSURE, WATER bar
7026803	20 mm	10	16
7026804	25 mm	10	16
7026805	32 mm	10	16
7026806	40 mm	10	16
7026807	50 mm	10	16
7026808	63 mm	10	16
7026809	75 mm	10	16
7026810	90 mm	10	16
7026811	110 mm	10	16
7026812	125 mm	10	16
7026813	140 mm	10	16
7026814	160 mm	10	16
7026815	180 mm	10	16
7026816	200 mm	10	16
7026817	225 mm	10	16



### VDL Cap

Connection: spigot  
 Material : PE100  
 SDR class : SDR 11  
 Approval : DVGW/KIWA

**VL** Van de Lande

PART NO.	SIZE	PRESSURE, GAS bar	PRESSURE, WATER bar
7026818	20 mm	10	16
7026819	25 mm	10	16
7026820	32 mm	10	16
7026821	40 mm	10	16
7026822	50 mm	10	16
7026823	63 mm	10	16
7026824	75 mm	10	16
7026825	90 mm	10	16
7026826	110 mm	10	16
7026827	125 mm	10	16
7026828	140 mm	10	16
7026829	160 mm	10	16
7026830	180 mm	10	16
7026831	200 mm	10	16
7026832	225 mm	10	16
7026833	250 mm	10	16
7026834	280 mm	10	16
7026835	315 mm	10	16



### VDL Concentric reducer

Connection: spigot  
 Material : PE100  
 SDR class : SDR 11  
 Approval : DVGW/KIWA

**VL** Van de Lande

PART NO.	SIZE	PRESSURE, GAS bar	PRESSURE, WATER bar
7026836	25 mm x 20 mm	10	16
7026837	63 mm x 32 mm	10	16
7026838	63 mm x 40 mm	10	16
7026839	63 mm x 50 mm	10	16
7026840	75 mm x 50 mm	10	16
7026841	75 mm x 63 mm	10	16
7026842	90 mm x 63 mm	10	16
7026843	90 mm x 75 mm	10	16
7026844	110 mm x 63 mm	10	16
7026845	110 mm x 75 mm	10	16
7026846	110 mm x 90 mm	10	16
7026847	125 mm x 63 mm	10	16
7026848	125 mm x 90 mm	10	16
7026849	125 mm x 110 mm	10	16
7026850	140 mm x 110 mm	10	16
7026851	140 mm x 125 mm	10	16
7026852	180 mm x 90 mm	10	16
7026853	180 mm x 125 mm	10	16
7026854	180 mm x 160 mm	10	16



### VDL T-piece 90° reduced

Connection: spigot  
 Material : PE100  
 SDR class : SDR 11  
 Approval : DVGW/KIWA

**VL** Van de Lande

PART NO.	SIZE	PRESSURE, GAS bar	PRESSURE, WATER bar
7026855	63 mm x 50 mm x 63 mm	10	16
7026856	75 mm x 32 mm x 75 mm	10	16
7026857	75 mm x 50 mm x 75 mm	10	16
7026858	75 mm x 63 mm x 75 mm	10	16
7026859	90 mm x 63 mm x 90 mm	10	16
7026860	90 mm x 75 mm x 90 mm	10	16
7026861	110 mm x 63 mm x 110 mm	10	16
7026862	110 mm x 75 mm x 110 mm	10	16
7026863	110 mm x 90 mm x 110 mm	10	16

PART NO.	SIZE	PRESSURE, GAS bar	PRESSURE, WATER bar
7026864	125 mm x 90 mm x 125 mm	10	16
7026865	125 mm x 110 mm x 125 mm	10	16
7026866	160 mm x 63 mm x 160 mm	10	16
7026867	160 mm x 75 mm x 160 mm		
7026868	160 mm x 90 mm x 160 mm	16	25
7026869	160 mm x 110 mm x 160 mm	16	25
7026870	225 mm x 110 mm x 225 mm	16	25
7026871	225 mm x 160 mm x 225 mm	16	25

# PLASTIC PRESSURE PIPING SYSTEMS



## Speedpex Pipe

Connection: plain  
Material : PE-X  
Colour : white  
Approval : DVGW/KIWA/WRAS



PART NO.	SIZE	WALL THICK-NESS mm	LENGTH m	PRESSURE bar
0700699	12 mm	1.8	100	8
0700705	15 mm	1.5	3	8
0700700	15 mm	1.5	25	8
0700701	15 mm	1.5	50	8
0700702	15 mm	1.5	100	8
0700703	22 mm	2.0	25	8
0700706	22 mm	2.0	3	8



## Speedfit Coupler

Connection: push-in  
Material : POM  
Colour : white  
Approval : DVGW/KIWA/WRAS



PART NO.	SIZE	PRESSURE bar
0700604	15 mm	10
0700605	22 mm	10



## Speedfit Elbow 90°

Connection: push-in  
Material : POM  
Colour : white  
Approval : DVGW/KIWA/WRAS



PART NO.	SIZE	PRESSURE bar
0700610	15 mm	10
0700611	22 mm	10

## Speedfit Pipes and Fittings



## Speedfit Pipe

Connection: plain  
Material : PE  
Colour : black



PART NO.	SIZE	WALL THICK-NESS mm	LENGTH m	PRESSURE bar
0700576	15 mm	1,7	50	6
0700575	15 mm	1,7	100	6
0700578	22 mm	2,4	50	6
0700579	22 mm	2,4	100	6



## Speedfit Pipe

Connection: plain  
Material : Dowlex  
Colour : white  
Approval : DVGW/KIWA/WRAS



PART NO.	SIZE	WALL THICK-NESS mm	LENGTH m	PRESSURE bar
0700581	22 mm	2.0	50	8



## Speedfit Reducing socket

Connection: push-in  
Material : POM  
Colour : white  
Approval : DVGW/KIWA/WRAS



PART NO.	SIZE	PRESSURE bar
0700557	15 mm x 12 mm	10
0700675	15 mm x 10 mm	10
0700677	22 mm x 15 mm	10



## Speedfit Elbow 90°

Connection: push-in x spigot  
Material : POM  
Colour : white  
Approval : DVGW/KIWA/WRAS



PART NO.	SIZE	PRESSURE bar
0700613	15 mm	10
0700614	22 mm	10



### Speedfit Reducing elbow 90°

Connection: push-in  
 Material : POM  
 Colour : white  
 Approval : DVGW/KIWA/WRAS



PART NO.	SIZE	PRESSURE bar
0700742	22 mm x 15 mm	10



### Speedfit T-piece 90°

Connection: push-in  
 Material : POM  
 Colour : white  
 Approval : DVGW/KIWA/WRAS



PART NO.	SIZE	PRESSURE bar
0700607	15 mm	10
0700608	22 mm	10



### Speedfit Adaptor bush

Connection: push-in x male thread  
 Material : POM  
 Colour : grey  
 Approval : DVGW/KIWA/WRAS



PART NO.	SIZE	PRESSURE bar
0700600	15 mm x 1/2"	10
0700601	22 mm x 3/4"	10



### Speedfit Adaptor bush

Connection: push-in x male thread  
 Material : brass  
 Approval : DVGW/KIWA/WRAS



PART NO.	SIZE	PRESSURE bar
0700562	12 mm x 1/2"	10
0701362	16 mm x 1/2"	10



### Speedfit Adaptor elbow 90°

Connection: push-in x female threaded nut  
 Material : POM/brass  
 Colour : white  
 Approval : DVGW/KIWA/WRAS



PART NO.	SIZE	PRESSURE bar
0700668	15 mm x 1/2"	10



### Speedfit T-piece 90°

Connection: push-in  
 Material : POM  
 Colour : white  
 Approval : DVGW/KIWA/WRAS



PART NO.	SIZE	PRESSURE bar
0700595	22 mm x 15 mm x 15 mm	10
0700596	15 mm x 22 mm x 15 mm	10
0700612	22 mm x 15 mm x 22 mm	10



### Speedfit Adaptor bush

Connection: push-in x male thread  
 Material : brass  
 Approval : DVGW/KIWA/WRAS



PART NO.	SIZE	PRESSURE bar
0700666	15 mm x 1/2"	10
0700667	22 mm x 3/4"	10



### Speedfit Adaptor socket

Connection: push-in x female thread  
 Material : POM  
 Colour : white  
 Approval : DVGW/KIWA/WRAS



PART NO.	SIZE	PRESSURE bar
0700599	15 mm x 3/4"	10
0700602	15 mm x 1/2"	10
0700603	22 mm x 3/4"	10

# PLASTIC PRESSURE PIPING SYSTEMS



## Speedfit Adaptor socket

Connection: push-in x female thread  
Material : POM/brass  
Colour : white  
Approval : DVGW/KIWA/WRAS



PART NO.	SIZE	PRESSURE bar
0700669	15 mm x 1/2"	10
0700670	15 mm x 3/4"	10
0700671	22 mm x 3/4"	10



## Speedfit Reducing coupler

Connection: push-in x spigot  
Material : POM  
Colour : white  
Approval : DVGW/KIWA/WRAS



PART NO.	SIZE	PRESSURE bar
0700615	22 mm x 15 mm	10



## Speedfit Hose connector

Connection: push-in x hose tail  
Material : POM  
Colour : white  
Approval : DVGW/KIWA/WRAS



PART NO.	SIZE	PRESSURE bar
0700654	15 mm x 1/2"	10
0700655	22 mm x 3/4"	10



## Speedfit Wall bracket 90°

Connection: push-in x male thread  
Material : brass  
Approval : DVGW/KIWA/WRAS



PART NO.	SIZE	PRESSURE bar
0700648	15 mm x 1/2"	10
0700649	22 mm x 3/4"	10

## Speedfit Pipes and Fittings



## Speedfit End cap

Connection: push-in  
Material : POM  
Colour : white  
Approval : DVGW/KIWA/WRAS



PART NO.	SIZE	PRESSURE bar
0700617	15 mm	10
0700618	22 mm	10

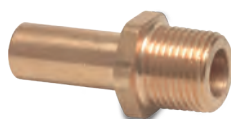


## Speedfit Plug

Insert  
Connection: spigot  
Material : POM  
Colour : white  
Approval : DVGW/KIWA/WRAS



PART NO.	SIZE	PRESSURE bar
0700620	15 mm	10
0700621	22 mm	10



## Speedfit Reducing coupler

Connection: spigot x male thread  
Material : brass  
Approval : DVGW/KIWA/WRAS



PART NO.	SIZE	PRESSURE bar
0700650	15 mm x 1/2"	10



## Speedfit Stop valve

Connection: push-in  
Material : POM  
Colour : white  
Approval : DVGW/KIWA/WRAS



PART NO.	SIZE	PRESSURE bar
0700639	15 mm	10
0700661	22 mm	10





### Ball valve

Connection: push-in  
 Material : POM  
 Colour : white  
 Approval : DVGW/KIWA/WRAS



PART NO.	SIZE	PRESSURE bar
0700635	15 mm	10



### Speedfit Ball valve

Connection: push-in x male thread  
 Material : POM  
 Colour : white  
 Approval : DVGW/KIWA/WRAS



PART NO.	SIZE	PRESSURE bar
0700637	15 mm x 3/4"	10



### Speedfit Preventor clip

Material: POM



PART NO.	SIZE	COLOUR	MOQ
0700591	15 mm	white	10
0700625	15 mm	grey	10
0700626	22 mm	grey	10



### Speedfit Pipe insert

Material: POM  
 Colour : white



PART NO.	SIZE	PRESSURE bar	MOQ
0700673	15 mm	10	10
0700674	22 mm	10	10



### Speedfit Wall bracket

Connection: push-in x female thread  
 Material : POM  
 Colour : white  
 Approval : DVGW/KIWA/WRAS



PART NO.	SIZE	PRESSURE bar
0700638	15 mm x 1/2"	10



### Speedfit Repair coupler

No internal ledge.  
 Connection: push-in  
 Material : POM  
 Colour : grey  
 Approval : DVGW/KIWA/WRAS



PART NO.	SIZE	PRESSURE bar
0700622	15 mm	10



### O-ring

Material : EPDM  
 Colour : black  
 Approval: DVGW/KIWA/WRAS

PART NO.	SIZE
0700695	15 mm
0700696	22 mm



### Speedfit Tank connector

Connection: push-in  
 Material : POM  
 Colour : grey  
 Approval : DVGW/KIWA/WRAS



PART NO.	SIZE	PRESSURE bar
0700645	15 mm	10
0700646	22 mm	10



# PLASTIC PRESSURE PIPING SYSTEMS



**Speedfit replacement cutters**

Material: steel



PART NO.	SIZE	PRESSURE bar
0700688	4-28 mm	10

## Speedfit Pipes and Fittings



**Speedfit pipe cutter**

Material: steel



PART NO.	SIZE
0700660	4-28 mm

## Super-Speedfit Pipes and Fittings



**Speedfit PA Hose**  
Especially for compressed air.  
Connection: plain  
Material : PA  
Colour : black

Speedfit®

PART NO.	INNER Ø mm	OUTER Ø mm	LENGTH m	PRESSURE bar
0700730	4	6	100	27
0700731	6	8	100	19
0700732	7	10	100	15
0700733	9	12	100	19
0700734	12	15	100	15
0700736	18	22	100	13



**Super Speedfit T-piece 90°**  
Connection: push-in  
Material : POM  
Colour : black

Speedfit®

PART NO.	SIZE	PRESSURE bar
0700760	4 mm	10
0700762	6 mm	10
0700763	8 mm	10
0700764	10 mm	10
0700766	15 mm	10



**Super Speedfit elbow 90°**  
Connection: push-in  
Material : POM  
Colour : black

Speedfit®

PART NO.	SIZE	PRESSURE bar
0700772	6 mm	10
0700773	8 mm	10
0700774	10 mm	10
0700775	12 mm	10
0700776	15 mm	10
0700778	22 mm	10



**Super Speedfit adaptor bush**  
Connection: push-in x male thread  
Material : POM  
Colour : black

Speedfit®

PART NO.	SIZE	PRESSURE bar
0700743	4 mm x 1/8"	10
0700744	4 mm x 1/4"	10
0700747	6 mm x 1/8"	10
0700748	6 mm x 1/4"	10
0700750	8 mm x 1/4"	10
0700751	8 mm x 3/8"	10
0700752	10 mm x 1/4"	10
0700753	10 mm x 3/8"	10
0700754	10 mm x 1/2"	10
0700755	12 mm x 3/8"	10
0700756	12 mm x 1/2"	10
0700757	15 mm x 1/2"	10
0700759	22 mm x 3/4"	10



**Super Speedfit coupler**  
Connection: push-in  
Material : POM  
Colour : black

Speedfit®

PART NO.	SIZE	PRESSURE bar
0700782	6 mm	10
0700783	8 mm	10
0700784	10 mm	10
0700785	12 mm	10
0700786	15 mm	10
0700788	22 mm	10

# PLASTIC PRESSURE PIPING SYSTEMS

## Super-Speedfit Pipes and Fittings



### Super Speedfit Reducing coupler

Connection: push-in x spigot  
Material : POM  
Colour : black

Speedfit®

PART NO.	SIZE	PRESSURE bar
0700795	8 mm x 6 mm	10
0700796	10 mm x 6 mm	10
0700797	10 mm x 8 mm	10
0700798	12 mm x 8 mm	10
0700800	15 mm x 10 mm	10
0700801	15 mm x 12 mm	10



### Super Speedfit Plug

Connection: spigot  
Material : POM  
Colour : red

Speedfit®

PART NO.	SIZE	PRESSURE bar
0700812	6 mm	10
0700813	8 mm	10
0700814	10 mm	10



### Super Speedfit elbow 90°

Connection: push-in x male thread  
Material : POM  
Colour : black

Speedfit®

PART NO.	SIZE	PRESSURE bar
0700871	4 mm x 1/4"	10
0700875	6 mm x 1/4"	10
0700877	8 mm x 1/4"	10
0700879	10 mm x 1/4"	10
0700885	15 mm x 1/2"	10



### Super Speedfit Adaptor bush

Connection: spigot x male thread  
Material : POM  
Colour : black

Speedfit®

PART NO.	SIZE	PRESSURE bar
0700865	15 mm x 1/2"	10



### Super Speedfit T-piece 90°

Connection: push-in x male thread x push-in  
Material : POM  
Colour : black

Speedfit®

PART NO.	SIZE	PRESSURE bar
0700897	8 mm x 1/4" x 8 mm	10



### Super Speedfit reducing coupler

Connection: push-in  
Material : POM  
Colour : black

Speedfit®

PART NO.	SIZE	PRESSURE bar
0700972	8 mm x 6 mm	10
0700975	10 mm x 8 mm	10



### Super Speedfit 3-way coupler

Connection: push-in  
Material : POM  
Colour : black

Speedfit®

PART NO.	SIZE	PRESSURE bar
0700991	6 mm	10



**Super Speedfit Connector**  
 Connection: spigot x hose tail  
 Material : POM  
 Colour : black



PART NO.	SIZE	PRESSURE bar
0700993	6 mm x 4 mm	10



**Super Speedfit Reducing coupler**  
 Connection: push-in x female thread  
 Material : POM  
 Colour : black



PART NO.	SIZE	PRESSURE bar
0701000	8 mm x 1/4"	10

## PVC Hose Tails



**1/3 Hose tail**  
 Connection: male thread x hose tail  
 Material : PVC-U  
 Colour : grey



PART NO.	SIZE	PRESSURE bar	MOQ
0110981	3/8" x 16 mm	10	20
0111008	1/2" x 18 mm	10	20
0110982	1/2" x 20 mm	10	20
0110983	3/4" x 25 mm	10	20
0111009	1" x 25 mm	10	20
0110984	1" x 30 mm	10	20
0110985	1 1/4" x 40 mm	10	10
0111016	1 1/2" x 38 mm	10	1
0111017	1 1/2" x 40 mm	10	1
0110986	1 1/2" x 50 mm	10	1
0110987	2" x 60 mm	10	1



**2/3 Hose tail**  
 Connection: female threaded nut x hose tail  
 Material : PVC-U  
 Colour : grey



PART NO.	SIZE	PRESSURE bar	MOQ
0100496	3/4" x 20 mm	10	10
0100497	1" x 25 mm	10	10
0100499	1 1/2" x 40 mm	10	10
0100536	2" x 50 mm	10	1



**1/3 Hose tail**  
 Connection: spigot x hose tail  
 Material : PVC-U  
 Colour : grey



PART NO.	SIZE	PRESSURE bar	MOQ
0111000	12 mm x 14 mm	10	1
0111001	16 mm	10	1
0111002	20 mm	10	10
0111003	25 mm	10	10
0111004	32 mm x 30 mm	10	10
0111005	40 mm	10	10
0111006	50 mm	10	1
0111007	63 mm x 61 mm	10	1

# PLASTIC PRESSURE PIPING SYSTEMS

## PP Hose Tails, Grey



### Elbow 90°

Connection: female threaded nut  
x hose tail

Material : PP  
Colour : grey



### Hose tail

Connection: male thread x  
hose tail

Material : PP  
Colour : grey

PART NO.	SIZE	PRESSURE bar
0330200	1/2" x 12 mm	10
0330201	3/4" x 12 mm	10
0330202	3/4" x 16 mm	10
0330203	3/4" x 20 mm	10
0330204	1" x 22 mm	10
0330205	1" x 25 mm	10
0330206	1 1/4" x 25 mm	10
0330207	1 1/4" x 30 mm	10
0330208	1 1/4" x 32 mm	10
0330209	1 1/2" x 40 mm	10
0330210	2" x 50 mm	10

PART NO.	SIZE	PRESSURE bar
0330170	1/4" x 12 mm	10
0330171	3/8" x 10 mm	10
0330172	3/8" x 12 mm	10
0330173	1/2" x 13 mm	10
0330174	1/2" x 16 mm	10
0330175	1/2" x 20 mm	10
0330176	3/4" x 12 mm	10
0330177	3/4" x 13 mm	10
0330178	3/4" x 16 mm	10
0330179	3/4" x 20 mm	10
0330180	3/4" x 25 mm	10
0330181	1" x 20 mm	10
0330182	1" x 25 mm	10
0330183	1" x 30 mm	10
0330184	1" x 32 mm	10
0330185	1 1/4" x 25 mm	10
0330186	1 1/4" x 30 mm	10
0330187	1 1/4" x 32 mm	10
0330194	1 1/4" x 38 mm	10
0330188	1 1/4" x 40 mm	10
0330196	1 1/2" x 38 mm	10
0330189	1 1/2" x 40 mm	10
0330190	1 1/2" x 50 mm	10
0330191	2" x 50 mm	10



### Hose tail

Connection: female threaded nut  
x hose tail

Material : PP  
Colour : grey

PART NO.	SIZE	PRESSURE bar
0330223	3/8" x 10 mm	10
0330224	3/8" x 12 mm	10
0330225	1/2" x 13 mm	10
0330226	1/2" x 16 mm	10
0330227	3/4" x 10 mm	10
0330228	3/4" x 12 mm	10
0330229	3/4" x 13 mm	10
0330230	3/4" x 16 mm	10
0330231	3/4" x 19 mm	10
0330232	3/4" x 20 mm	10
0330233	1" x 20 mm	10
0330235	1" x 25 mm	10
0330237	1 1/4" x 25 mm	10
0330238	1 1/4" x 30 mm	10
0330239	1 1/4" x 32 mm	10
0330242	1 1/2" x 38 mm	10
0330240	1 1/2" x 40 mm	10
0330241	2" x 50 mm	10



**Elbow 90°**

Connection: male thread x  
hose tail

Material : PP

Colour : grey

PART NO.	SIZE	PRESSURE bar
0330250	3/8" x 12 mm	10
0330251	1/2" x 12 mm	10
0330252	1/2" x 16 mm	10
0330253	1/2" x 20 mm	10
0330254	3/4" x 12 mm	10
0330255	3/4" x 20 mm	10
0330257	3/4" x 25 mm	10
0330259	1" x 25 mm	10
0330261	1" x 32 mm	10
0330263	1 1/4" x 32 mm	10
0330264	1 1/2" x 40 mm	10

- DRINKERS
- PLASTIC PRESSURE PIPING SYSTEMS
- FASTENERS AND ADHESIVES
- CLAMPS
- METAL VALVES
- COUPLINGS AND ACCESSORIES
- HOSES
- METAL PIPES AND FITTINGS
- MEASUREMENT, REGULATION AND FILTRATION
- PUMPS, PRESSURE TANKS AND ACCESSORIES
- TANKS
- CLIMATE







# FASTENERS AND ADHESIVES

Pipe Fixings  
Adhesives and Cleaners

DRINKERS

PLASTIC PRESSURE  
PIPING SYSTEMS

FASTENERS AND  
ADHESIVES

CLAMPS

METAL VALVES

COUPLINGS AND  
ACCESSORIES

HOSES

METAL PIPES AND  
FITTINGS

MEASUREMENT, REGULATION  
AND FILTRATION

PUMPS, PRESSURE TANKS  
AND ACCESSORIES

TANKS

CLIMATE

# FASTENERS AND ADHESIVES

## Pipe Fixings



### Mega pipe clamp

Material: PP  
Colour : black



PART NO.	SIZE	MOQ
0110950	16 mm	10
0110951	20 mm	10
0110952	25 mm	10
0110953	32 mm	10

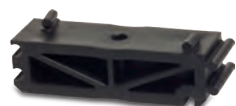


### Mega pipe clamp

Material: PP  
Colour : black



PART NO.	SIZE	MOQ
0110954	40 mm	10
0110955	50 mm	10
0110956	63 mm	10
0110957	75 mm	1
0110958	90 mm	1
0110959	110 mm	1



### Mega pipe clamp extensions

Material: PP  
Colour : black



PART NO.	SIZE	MOQ
0100523	32 mm	10
0100524	40 mm	10
0100525	50 mm	10
0100526	63 mm	10



### VDL Pipe clamp, type F

Material: PP  
Colour : black

**VDL** Van de Lande

PART NO.	SIZE	PACKAGING pcs	
7018346	90 mm	10	60
7013506	110 mm	10	40
7010482	125 mm	10	40
7013507	140 mm	10	40
7010484	160 mm	10	20
7018347	180 mm	1	10
0100860	200 mm	1	10
0100861	225 mm	1	10
0100862	250 mm	1	10
0100863	280 mm	1	10
0100864	315 mm	1	10
7017313	355 mm	1	10
0100867	400 mm	1	10



### Pipe clamp, type 2

Material: PP  
Colour : black

**VDL** Van de Lande

PART NO.	SIZE	MOQ
7018336	3/8"	1
0111267	1/2"	10
0111268	3/4"	10
0111269	1"	10



### Pipe clamp, imperial

Material: PP  
Colour : black

**V-L** Van de Lande

PART NO.	SIZE	MOQ
0111270	1 1/4"	10
0111271	1 1/2"	10
0111272	2"	10
7018337	2 1/2"	1
0111273	4"	1



### Heavy pipe clamp for PVC pipe

Material : steel  
Surface treatment: galvanised

**V-L** Van de Lande

PART NO.	SIZE
0199100	100-108 mm
0199120	120-125 mm
0199133	133-140 mm
0199150	150-160 mm
0199200	200 mm
0199225	225 mm



### Profec Pipe clamp with pin

For gas and water pipes.

Material : steel  
Surface treatment: galvanised

PART NO.	SIZE	MOQ
0329201	1/2"	10
0329202	3/4"	10
0329203	1"	10
0329204	1 1/4"	10
0329205	1 1/2"	10
0329206	2"	10



### Popp pipe clamp

Material: PP  
Colour : black

PART NO.	SIZE	MOQ
0120040	15-19 mm	10
0120041	20-23 mm	10
0120042	25-28 mm	10
0120043	31-35 mm	10
0120044	39-43 mm	10
0120045	47-51 mm	10
0120046	60-65 mm	10
0120047	72-80 mm	1
0120048	87-95 mm	1



### Profec Pipe bracket, type 2-piece

According to DIN 4109. Bracket with safety closure

Material : steel  
Surface treatment: galvanised  
DIN Standard : DIN 4109



PART NO.	SIZE	THREAD SIZE	MOQ
0329449	15-19 mm	M8/M10	5
0329450	20-25 mm	M8/M10	5
0329451	26-30 mm	M8/M10	5
0329452	32-36 mm	M8/M10	5
0329453	38-43 mm	M8/M10	5
0329454	47-51 mm	M8/M10	5
0329455	50-54 mm	M8/M10	5
7015284	60-64 mm	M8/M10	1
7018935	63-67 mm	M8/M10	1
0329456	67-73 mm	M8/M10	1
0329457	75-80 mm	M8/M10	1
0329448	87-92 mm	M8/M10	1
0329458	99-105 mm	M8/M10	1
0329459	108-114 mm	M8/M10	1
0329460	125-130 mm	M8/M10	1
0329461	133-141 mm	M8/M10	1
0329462	159-166 mm	M8/M10	1
0329463	200-220 mm	M8/M10	1

# FASTENERS AND ADHESIVES



## Pipe bracket

For gas and water pipes.

Material: stainless steel 304

PART NO.	SIZE	THREAD SIZE
0329480	12-16 mm	M8
0329320	15-19 mm	M8
0329321	20-23 mm	M8
0329322	25-31 mm	M8/M10
0329323	32-35 mm	M8/M10
0329324	40-43 mm	M8/M10
0329325	44-49 mm	M8/M10
0329326	50-56 mm	M8/M10
0329341	57-61 mm	M8/M10
0329327	63-67 mm	M8/M10
0329328	70-73 mm	M8/M10
0329329	74-80 mm	M8/M10
0329330	81-86 mm	M8/M10
0329331	87-92 mm	M8/M10
0329332	95-103 mm	M8/M10
0329333	102-116 mm	M8/M10
0329335	121-127 mm	M8/M10
0329336	133-141 mm	M8/M10
0329339	159-168 mm	M8/M10
0329340	192-207 mm	M8/M10



## Woeste Clip, single

Material: PP

Colour : white

PART NO.	SIZE	THREAD SIZE	MOQ
0710250	12 mm	M6	10
0710251	14-15 mm	M6	10
0710252	20-22 mm	M6	10
0710253	28 mm	M6	100

## Pipe Fixings



## OBO steel sewer bracket, type 3000

DIN 4109. Bracket with safety closure.

Material : steel

Surface treatment: galvanised

DIN Standard : DIN 4109

PART NO.	SIZE	THREAD SIZE
0329370	32 mm	M8
0329371	40 mm	M8
0329372	50 mm	M8
0329373	63 mm	M8
0329374	70 mm	M8
0329375	75 mm	M8
0329376	80 mm	M8
0329377	90 mm	M8
0329378	100 mm	M8
0329379	110 mm	M8
0329380	125 mm	M8
0329381	160 mm	M8
0329382	200 mm	M8
0329383	250 mm	M8



## Pipe clamp

Material : steel

Surface treatment: galvanised

PART NO.	SIZE	THREAD SIZE	MOQ
0329492	12-14 mm	M8/M10	5
0329493	15-19 mm	M8/M10	5
0329494	20-23 mm	M8/M10	5
0329495	26-28 mm	M8/M10	5
0329496	32-35 mm	M8/M10	5
0329497	40-46 mm	M8/M10	5
0329498	48-53 mm	M8/M10	5
0329499	54-58 mm	M8/M10	5
0329501	59-62 mm	M8/M10	5

## Adhesives and Cleaners



**Mega PVC glue, type S3**  
For PVC pressure pipes.



PART NO.	CONTENT ltr	FEATURE
7011847	0,25	with brush
7011848	1	with brush
7011849	5	



**Mega Solvent cleaner, type S3**



PART NO.	CONTENT ltr
7014328	0,25
7014329	1



**Mega PTFE Sealing tape**



PART NO.	SIZE	LENGTH m	THICKNESS mm
0070011	12 mm	10	0.08
0070062	15 mm	25	0.1
0070063	19 mm	50	0.1



**Profec PTFE Sealing tape**  
Approval: GASTEC



PART NO.	SIZE	LENGTH m	THICKNESS mm
0070013	12 mm	12	0.1



**Profec PTFE Sealing tape**  
NEN : NEN-EN 751-3  
Approval: DVGW



PART NO.	SIZE	LENGTH m	THICKNESS mm
0070012	12 mm	12	0.1



**Griffon Thread sealant, knot**  
Material: hemp



PART NO.	WEIGHT g
1180201	180-200



**Griffon Fibre seal, type Kolmat**  
Approval: DVGW/GASTEC/WRAS  
Colour : green



PART NO.	SIZE	LENGTH m
7020189	12 mm	15
7016364	14 mm	15



**Griffon Hemp, jar**  
Material: hemp



PART NO.	WEIGHT g	FEATURE	PACKAGING pcs
1180205	100	jar	1 12

# FASTENERS AND ADHESIVES



**Griffon Thread sealant, refill**  
Material: hemp



PART NO.	WEIGHT g
1180206	100



**Sealing paste, type Fermit Special**

Non-toxic sealing kit for sealing wire and flange connections in water and heating installations, not suitable for drinking water and gas. Temperature range up to 100° C. Non curing, ready to use and always disassembled and direct use permitted.

PART NO.	WEIGHT g
0149210	500



**Griffon Sealant, type Kolmat Easyfit**



PART NO.	FEATURE
7016366	for metal threaded connections

## Adhesives and Cleaners



**Griffon Kolmat**

Sealing compound for sealing metal threaded connections in gas, water (central heating installations) and compressed air systems. Used in combination with hemp.



PART NO.	WEIGHT g
1180198	875



**Sealing paste, type Plastic Fermit**

Sealing paste based on plastics for sanitary installations. Good for inserting drain fittings in washbasins and bathtubs, etc. For hot and cold water. Not recommended for porous substrates such as marble. Temperature range up to 100° C.

PART NO.	WEIGHT g
0149221	500



**Cable tie assortment box**

Contents: 850 pieces.  
100 x 100 mm - 2,5 mm natural,  
100 x 100 mm - 2,5 mm red,  
100 x 100 mm - 2,5 mm yellow,  
100 x 100 mm - 2,5 mm green,  
100 x 100 mm - 2,5 mm blue,  
300 x 203 mm - 4,6 mm natural,  
50 x 280 mm - 4,8 mm natural

Material: nylon



PART NO.	PACKAGING
0120057	650 pcs
0120058	850 pcs



### Cable tie, natural

Resistant to normal solutions of salt, acid, oil and grease.

Material : nylon 6.6

Colour : natural

Packaging : 100 pcs



PART NO.	SIZE	WIDTH mm
0120060	96 mm	2,5
0120061	142 mm	3,2
0120062	150 mm	3,6
0120064	190 mm	4,8
0120405	203 mm	2,5
0120063	203 mm	3,6
0120067	203 mm	7,6
0120406	250 mm	3,6
0120065	280 mm	4,8
0120409	292 mm	7,6
0120066	368 mm	4,8
0120068	380 mm	7,6
0120411	432 mm	4,8
0120069	450 mm	8
0120070	550 mm	8
0120071	710 mm	9



### Cable tie, black

U.V. resistant. Resistant to normal solutions of salt, acid, oil and grease. One Sachet (1 piece): 100 cable ties

Material : nylon 6.6

Colour : black

Packaging : 100 pcs



PART NO.	SIZE	WIDTH mm
0120080	96 mm	2,5
0120081	142 mm	3,2
0120082	150 mm	3,6
0120416	165 mm	2,5
0120084	190 mm	4,8
0120418	203 mm	2,5
0120083	203 mm	3,6
0120087	203 mm	7,6
0120419	250 mm	3,6
0120085	280 mm	4,8
0120422	300 mm	7,6
0120086	368 mm	4,8
0120088	380 mm	7,6
0120424	432 mm	4,8
0120089	450 mm	8
0120090	550 mm	8
0120095	550 mm	12,7
0120091	710 mm	9
0120092	914 mm	9







DRINKERS

PLASTIC PRESSURE  
PIPING SYSTEMS

FASTENERS AND  
ADHESIVES

CLAMPS

METAL VALVES

COUPLINGS AND  
ACCESSORIES

HOSES

METAL PIPES AND  
FITTINGS

MEASUREMENT, REGULATION  
AND FILTRATION

PUMPS, PRESSURE TANKS  
AND ACCESSORIES

TANKS

CLIMATE

# CLAMPS

Worm Drive Hose Clips  
Super Hose Clips

# CLAMPS



## Industrial worm drive clamp

Material: stainless steel 304  
Type : W4



PART NO.	SIZE	WIDTH mm	MOQ
0460300	9,5 mm x 12 mm	9,5	10
0460301	11 mm x 16 mm	9,5	10
0460302	13 mm x 20 mm	9,5	10
0460303	16 mm x 22 mm	12	10
0460304	18 mm x 25 mm	12	10
0460305	22 mm x 30 mm	12	1
0460306	25 mm x 35 mm	12	1
0460307	30 mm x 40 mm	12	1
0460308	35 mm x 50 mm	12	1
0460309	40 mm x 55 mm	12	1
0460310	45 mm x 60 mm	12	1
0460311	55 mm x 70 mm	12	1
0460312	60 mm x 80 mm	12	1
0460313	70 mm x 90 mm	12	1
0460315	90 mm x 120 mm	12	1
0460318	135 mm x 165 mm	12	1



## Profec Wormdrive hose clip, type W4

Material: stainless steel 304  
Type : W4



PART NO.	SIZE	WIDTH mm	MOQ
0464497	8 mm x 12 mm	12	20
0464480	10 mm x 16 mm	12	20
0464481	12 mm x 20 mm	12	10
0464482	16 mm x 27 mm	12	10
0464483	20 mm x 32 mm	12	10
0464484	25 mm x 40 mm	12	1
0464485	30 mm x 45 mm	12	1
0464486	35 mm x 50 mm	12	10
0464487	40 mm x 60 mm	12	10
0464489	50 mm x 70 mm	12	10
0464490	60 mm x 80 mm	12	10
0464491	70 mm x 90 mm	12	10
0464492	80 mm x 100 mm	12	10
0464493	90 mm x 110 mm	12	10
0464494	110 mm x 130 mm	12	10
0464470	140 mm x 160 mm	12	1

# Worm Drive Hose Clips



## Profec Wormdrive hose clip, type W1 Industry

Material : steel  
Surface treatment: galvanised  
Type : W1  
Type : Industry



PART NO.	SIZE	WIDTH mm	MOQ
0460540	8 mm x 12 mm	9	20
0460541	10 mm x 16 mm	9	20
0460542	12 mm x 22 mm	9	10
0460543	16 mm x 25 mm	9	10
0460544	20 mm x 32 mm	9	10
0460546	25 mm x 40 mm	9	10
0460547	32 mm x 50 mm	9	10



## Profec Wormdrive hose clip, type W1 Industry

Material : steel  
Surface treatment: galvanised  
Type : W1  
Type : Industry



PART NO.	SIZE	WIDTH mm	MOQ
0460550	16 mm x 25 mm	12	10
0460551	20 mm x 32 mm	12	10
0460552	25 mm x 40 mm	12	10
0460553	32 mm x 50 mm	12	10
0460554	40 mm x 60 mm	12	10
0460555	50 mm x 70 mm	12	10
0460556	60 mm x 80 mm	12	10
0460557	70 mm x 90 mm	12	10
0460558	90 mm x 110 mm	12	1
0460559	110 mm x 130 mm	12	1
0460560	130 mm x 160 mm	12	1
0460561	150 mm x 180 mm	12	1
0460562	170 mm x 200 mm	12	1
0460563	190 mm x 220 mm	12	1



**Profec Wormdrive hose clip,  
type W1**

Material : steel  
Surface treatment: galvanised  
Type : W1



PART NO.	SIZE	WIDTH mm	MOQ
0464601	8 mm x 12 mm	9	20
0464602	10 mm x 16 mm	9	20
0464603	12 mm x 20 mm	9	10
0464604	16 mm x 27 mm	9	10
0464605	20 mm x 32 mm	9	10
0464606	25 mm x 40 mm	9	10
0464607	35 mm x 50 mm	9	10



**Profec Wormdrive hose clip,  
type W4**

Material: stainless steel 304  
Type : W4



PART NO.	SIZE	WIDTH mm	MOQ
0464645	8 mm x 12 mm	9	20
0464646	10 mm x 16 mm	9	20
0464647	12 mm x 20 mm	9	10
0464648	16 mm x 27 mm	9	10
0464649	20 mm x 32 mm	9	10
0464650	25 mm x 40 mm	9	10
0464651	35 mm x 50 mm	9	10
0464652	40 mm x 60 mm	9	10
0464653	50 mm x 70 mm	9	10
0464654	60 mm x 80 mm	9	10



**Profec Wormdrive hose clip,  
type W1**

Material : steel  
Surface treatment: galvanised  
Type : W1



PART NO.	SIZE	WIDTH mm	MOQ
0464626	8 mm x 12 mm	12	20
0464627	10 mm x 16 mm	12	20
0464628	12 mm x 20 mm	12	10
0464629	16 mm x 27 mm	12	10
0464630	20 mm x 32 mm	12	10
0464631	25 mm x 40 mm	12	10
0464632	32 mm x 50 mm	12	10
0464633	40 mm x 60 mm	12	10
0464634	50 mm x 70 mm	12	10
0464635	60 mm x 80 mm	12	10
0464636	70 mm x 90 mm	12	10
0464637	80 mm x 100 mm	12	10
0464638	90 mm x 110 mm	12	10
0464640	110 mm x 130 mm	12	10

# CLAMPS



**Profec Hose clip, type W1 Super**  
Solid Billet Gudgeon pins & Multi Spot welds make this the ultimate Super clamp

Material : steel  
Surface treatment: galvanised  
Type : W1  
Type : Super



# Super Hose Clips



**Profec Hose clip, type W4 Super**  
Solid Billet Gudgeon pins & Multi Spot welds make this the ultimate Super clamp

Material: stainless steel 304  
Type : W4  
Type : Super



PART NO.	SIZE	WIDTH mm	MOQ
0465001	17 mm x 19 mm	18	10
0465002	20 mm x 22 mm	18	10
0465003	23 mm x 25 mm	18	10
0465004	26 mm x 28 mm	18	10
0465005	29 mm x 31 mm	20	10
0465006	30 mm x 33 mm	20	10
0465036	32 mm x 35 mm	20	10
0465007	36 mm x 39 mm	20	10
0465008	40 mm x 43 mm	20	10
0465009	44 mm x 47 mm	22	10
0465010	42 mm x 46 mm	22	10
0465011	48 mm x 51 mm	22	10
0465012	52 mm x 55 mm	22	10
0465034	56 mm x 59 mm	22	10
0465013	60 mm x 63 mm	22	10
0465014	64 mm x 67 mm	22	10
0465015	68 mm x 73 mm	24	10
0465016	74 mm x 79 mm	24	10
0465017	80 mm x 85 mm	24	10
0465018	86 mm x 91 mm	24	10
0465019	92 mm x 97 mm	24	10
0465020	98 mm x 103 mm	24	10
0465021	104 mm x 112 mm	24	1
0465022	113 mm x 121 mm	24	1
0465023	115 mm x 130 mm	24	1
0465024	122 mm x 130 mm	26	1
0465025	131 mm x 139 mm	26	1
0465026	140 mm x 148 mm	26	1
0465027	149 mm x 161 mm	26	1
0465028	162 mm x 174 mm	26	1
0465029	175 mm x 187 mm	26	1
0465030	188 mm x 200 mm	26	1
0465031	201 mm x 213 mm	26	1
0465035	214 mm x 226 mm	26	1
0465032	227 mm x 239 mm	26	1
0465033	240 mm x 252 mm	26	1
0465037	260 mm x 280 mm	26	1

PART NO.	SIZE	WIDTH mm	PACKAGING pcs	
0465040	17 mm x 19 mm	18	1	200
0465041	20 mm x 22 mm	18	10	200
0465042	23 mm x 25 mm	18	1	200
0465043	26 mm x 28 mm	18	1	200
0465044	29 mm x 31 mm	20	1	200
0465045	32 mm x 35 mm	20	1	200
0465046	36 mm x 39 mm	20	1	200
0465047	40 mm x 43 mm	20	1	200
0465048	44 mm x 47 mm	22	10	100
0465049	48 mm x 51 mm	22	1	100
0465050	52 mm x 55 mm	22	1	100
0465051	56 mm x 59 mm	22	1	100
0465052	60 mm x 63 mm	22	10	100
0465053	64 mm x 67 mm	22	10	100
0465054	68 mm x 73 mm	24	1	100
0465055	74 mm x 79 mm	24	1	50
0465056	80 mm x 85 mm	24	1	50
0465057	86 mm x 91 mm	24	1	50
0465058	92 mm x 97 mm	24	1	50
0465059	98 mm x 103 mm	24	1	50
0465060	104 mm x 112 mm	24	1	50
0465061	113 mm x 121 mm	24	1	50
0465062	122 mm x 130 mm	24	1	50
0465063	131 mm x 139 mm	26	10	50
0465064	140 mm x 148 mm	26	1	50
0465065	149 mm x 161 mm	26	1	50
0465066	162 mm x 174 mm	26	1	25



**Profec Hose clip, type W1 Super Extra Inbus**

Solid Billet Gudgeon pins & Multi Spot welds make this the ultimate Super clamp

Material: steel

Type :W1

Type : Super Extra Inbus

PART NO.	SIZE	WIDTH mm	MOQ
0465085	40 mm x 50 mm	20	10
0465086	45 mm x 55 mm	20	10
0465087	50 mm x 60 mm	20	10
0465088	55 mm x 65 mm	20	10
0466000	60 mm x 70 mm	20	1
0466001	65 mm x 75 mm	20	1
0466002	70 mm x 80 mm	20	1
0466003	75 mm x 85 mm	20	1
0466015	80 mm x 90 mm	24	1
0466016	85 mm x 95 mm	24	1
0466017	90 mm x 100 mm	24	1
0466018	95 mm x 105 mm	24	1
0466019	100 mm x 110 mm	24	1
0465089	105 mm x 115 mm	24	1
0466020	110 mm x 120 mm	24	1
0466029	155 mm x 165 mm	24	1
0466030	160 mm x 170 mm	24	1



**Flexible screwdriver**

For assembly of hose clamps.

Material: steel/plastic

PART NO.	
0460701	Flexible screwdriver



An underwater scene featuring several large fish, likely tilapia, swimming in clear water. The fish are silvery with some yellowish-brown markings. The background is a soft, greenish-brown hue, suggesting an aquarium or pond environment. The image is overlaid with a semi-transparent orange and yellow graphic element that frames the text.

## METAL VALVES

Brass Ball Valves, Mega

Brass Ball Valves, Itap

Brass Ball Valves, VIR

Brass Ball Valves, Actuated

Brass Ball Valves, Mini

Brass Ball Valves, Three Way

Bib Taps

Brass Gate Valves

Brass Solenoid Valves

Cast Iron Valves

Stainless Steel Valves

Butterfly Valves

Slurry Valves

Plastic and Brass Check Valves

Stainless Steel Check Valves

Safety Valves and Pressure Reducers

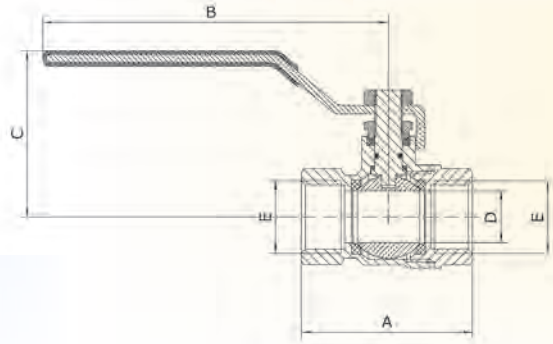
# METAL VALVES



## Mega Ball valve, type 100VA with stainless steel handle

Connection : female thread  
 Material : brass  
 Surface treatment: nickel plated  
 Operation : lever  
 Handle material : stainless steel  
 Colour lever : red  
 Material seal : PTFE

## Brass Ball Valves, Mega



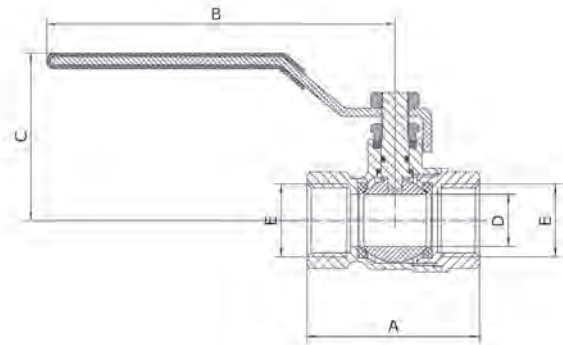
PART NO.	SIZE	PRESSURE bar	PACKAGING pcs	
0403030	1/4"	25	18	216
0403031	3/8"	25	18	216
0403032	1/2"	25	12	144
0403033	3/4"	25	14	84
0403034	1"	25	8	48
0403035	1 1/4"	25	8	32
0403036	1 1/2"	25	6	24
0403037	2"	25	1	16
0403038	2 1/2"	25	1	4
0403039	3"	25	1	2
0403040	4"	25	1	2

A mm	B mm	C mm	D mm	E inch "
40.5	86	42	9	1/4
40.5	86	42	10	3/8
48.5	100	46	15	1/2
54.5	100	51.5	19	3/4
66	125	54	24	1
76	140	72	30	1 1/4
88	140	78	37	1 1/2
98.5	168	90	45	2
132	226	110	62	2 1/2
154	280	119	74	3
179	280	130	90	4



## Mega Ball valve, type 100

Connection : female thread  
 Material : brass  
 Surface treatment: nickel plated  
 Operation : lever  
 Handle material : steel  
 Colour lever : red  
 Material seal : PTFE  
 Max. temp. : 120 °C



PART NO.	SIZE	PRESSURE bar	PACKAGING pcs	
0403002	1/2"	25	12	144
0403003	3/4"	25	14	84
0403004	1"	25	8	48
0403005	1 1/4"	25	8	32
0403006	1 1/2"	25	6	24
0403007	2"	25	4	16
0403008	2 1/2"	25	1	4
0403009	3"	25	1	2
0403010	4"	25	1	2

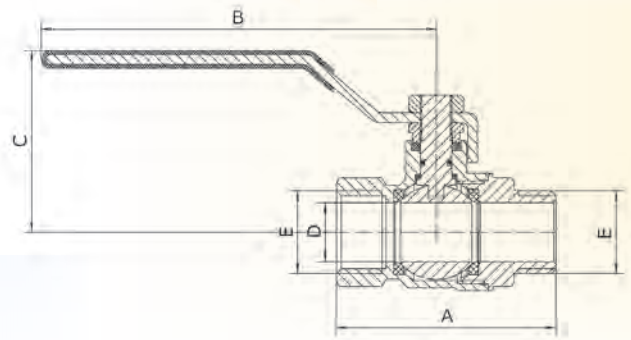
A mm	B mm	C mm	D mm	E inch "
48.5	100	46	15	1/2
54.5	100	51.5	19	3/4
66	125	54	24	1
76	140	72	30	1 1/4
88	140	78	37	1 1/2
98.5	168	90	45	2
132	226	110	62	2 1/2
154	280	119	74	3
179	280	130	90	4





**Mega Ball valve, type 104VA  
with stainless steel handle**

Connection : female thread x  
male thread  
Material : brass  
Surface treatment: nickel plated  
Operation : lever  
Handle material : stainless steel  
Colour lever : red  
Material seal : PTFE



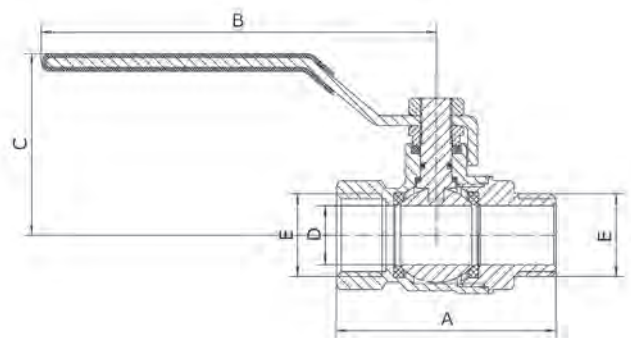
PART NO.	SIZE	PRESSURE bar	PACKAGING pcs	
0403047	1/2"	25	12	144
0403048	3/4"	25	14	84
0403049	1"	25	8	48
0403050	1 1/4"	25	8	32
0403051	1 1/2"	25	6	24
0403052	2"	25	4	16
0403053	2 1/2"	25	1	4
0403054	3"	25	1	2
0403055	4"	25	1	2

A mm	B mm	C mm	D mm	E inch "
57	100	46	15	1/2
61	100	51.5	19	3/4
70.8	125	54	24	1
83.4	140	72	30	1 1/4
96	140	78	37	1 1/2
104.1	168	90	45	2
143.6	226	110	62	2 1/2
164.7	280	119	74	3
190.7	280	130	90	4



**Mega Ball valve, type 104**

Connection : female thread x  
male thread  
Material : brass  
Surface treatment: nickel plated  
Operation : lever  
Handle material : steel  
Colour lever : red  
Material seal : PTFE



PART NO.	SIZE	PRESSURE bar	PACKAGING pcs	
0403017	1/2"	25	12	144
0403018	3/4"	25	14	84
0403019	1"	25	8	48
0403020	1 1/4"	25	8	32
0403021	1 1/2"	25	6	24
0403022	2"	25	4	16
0403023	2 1/2"	25	1	4
0403024	3"	25	1	2
0403025	4"	25	1	2

A mm	B mm	C mm	D mm	E inch "
57	100	46	15	1/2
61	100	51.5	19	3/4
70.8	125	54	24	1
83.4	140	72	30	1 1/4
96	140	78	37	1 1/2
104.1	168	90	45	2
143.6	226	110	62	2 1/2
164.7	280	119	74	3
190.7	280	130	90	4

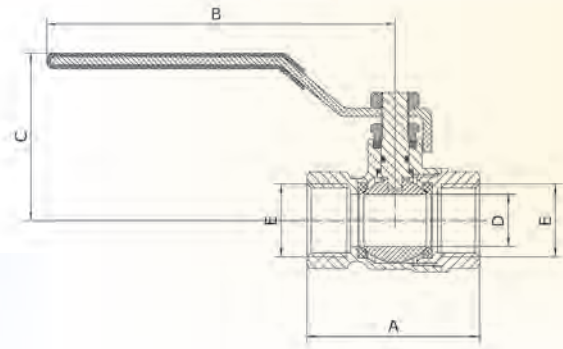
# METAL VALVES



## Mega Ball valve, type 119

Connection : female thread  
 Material : brass  
 Surface treatment: nickel plated  
 Operation : lever  
 Handle material : dacromet steel  
 Colour lever : red  
 Material seal : PTFE

## Brass Ball Valves, Mega



PART NO.	SIZE	PRESSURE bar	PACKAGING pcs	
0401071	5"	20	1	2
0401072	6"	20	1	2

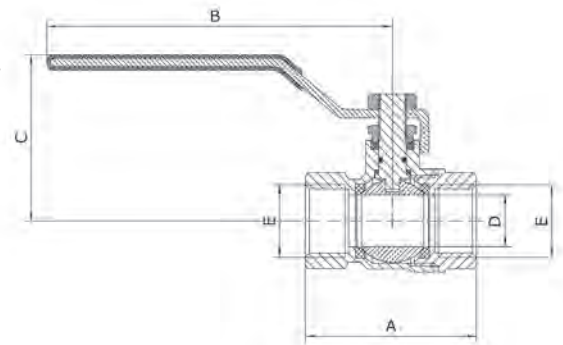
A mm	B mm	C mm	D mm	E inch "
235	315	180	125	5
235	315	195	125	6



## Mega Ball valve, type 107, with long DIN thread

High pressure full flow ball valve, long threaded. Stainless steel handles available.

Connection : female thread  
 Material : brass  
 Surface treatment: nickel plated  
 Operation : lever  
 Handle material : steel  
 Colour lever : yellow  
 Material seal : PTFE



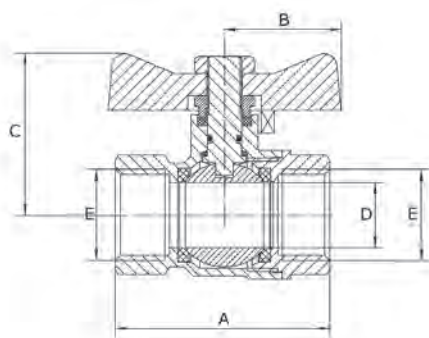
PART NO.	SIZE	PRESSURE bar	PACKAGING pcs	
0401189	3/8"	40	192	192
0401183	1/2"	40	12	144
0401184	3/4"	40	12	72
0401185	1"	30	6	36
0401186	1 1/4"	30	8	32
0401187	1 1/2"	25	4	16
0401188	2"	25	2	8

A mm	B mm	C mm	D mm	E inch "
45.6	83	39	10	3/8
56.2	95.5	45	14.5	1/2
68	115.5	57	19.5	3/4
78	115.5	65	24.5	1
90	131	79	32	1 1/4
102	163	82	39.5	1 1/2
123	163	95	49.5	2



**Mega Ball valve, type 103**

- Connection : female thread
- Material : brass
- Surface treatment: nickel plated
- Operation : butterfly handle
- Handle material : aluminium
- Colour lever : red
- Material seal : PTFE



PART NO.	SIZE	PRESSURE bar	PACKAGING pcs	
7000865	1/2"	25	16	192
7000866	3/4"	25	12	144
7000867	1"	25	6	72

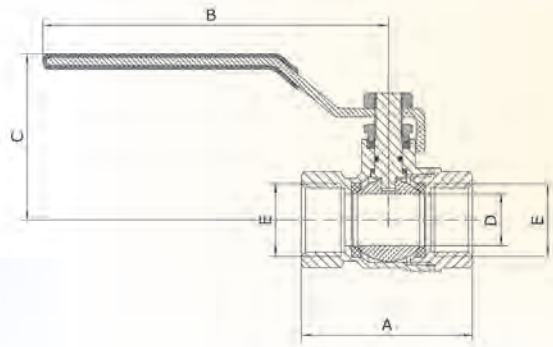
A mm	B mm	C mm	D mm	E inch "
48.5	27	38	15	1/2
54.5	27	42	19	3/4
66	35	49.5	24	1

# METAL VALVES



## Ball valve, Itap type K 90

Connection : female thread  
 Material : brass  
 Surface treatment: nickel plated  
 Operation : lever  
 Handle material : steel  
 Colour lever : red  
 Material seal : PTFE



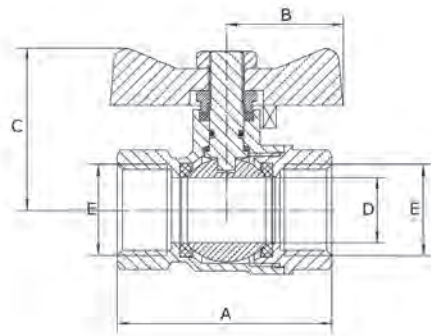
PART NO.	SIZE	PRESSURE bar	PACKAGING pcs	
0402313	1/2"	50	12	156
0402314	3/4"	40	8	64
0402315	1"	40	8	64
0402316	1 1/4"	30	4	32
0402317	1 1/2"	30	2	26
0402318	2"	25	2	12
0402319	2 1/2"	18	1	7
0402320	3"	16	1	4

A mm	B mm	C mm	D mm	E inch "
50.5	80	41	15	1/2
57.5	113	55	20	3/4
70	113	59	25	1
80.5	138	74.5	32	1 1/4
94.5	138	80.5	40	1 1/2
112.5	158	96.5	50	2
134.5	197	116	65	2 1/2
157	250	133	80	3



## Itap Ball valve, type K 92

Connection : female thread  
 Material : brass  
 Surface treatment: nickel plated  
 Operation : butterfly handle  
 Handle material : aluminium  
 Colour lever : red  
 Material seal : PTFE



PART NO.	SIZE	PRESSURE bar	PACKAGING pcs	
0402373	1/2"	50	12	132
0402374	3/4"	40	8	88
0402375	1"	40	8	64

A mm	B mm	C mm	D mm	E inch "
50.5	24	41.5	15	1/2
57.5	31	48	20	3/4
70	31	52	25	1



DRINKERS

PLASTIC PRESSURE  
PIPING SYSTEMS

FASTENERS AND  
ADHESIVES

CLAMPS

METAL VALVES

COUPLINGS AND  
ACCESSORIES

HOSES

METAL PIPES AND  
FITTINGS

MEASUREMENT, REGULATION  
AND FILTRATION

PUMPS, PRESSURE TANKS  
AND ACCESSORIES

TANKS

CLIMATE

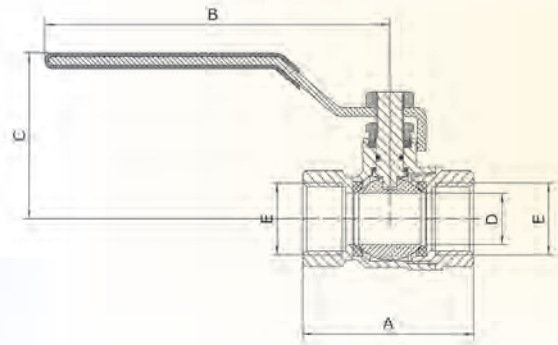
# METAL VALVES

## Brass Ball Valves, VIR



### VIR Ball valve, type 340 B

Connection : female thread  
 Material : brass  
 Surface treatment: chrome plated  
 Operation : lever  
 Handle material : dacromet steel  
 Colour lever : blue  
 Material seal : PTFE



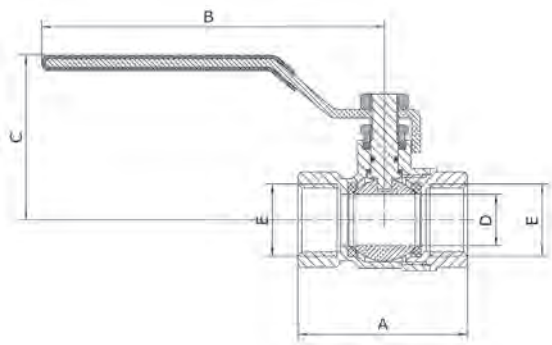
PART NO.	SIZE	PRESSURE bar	PACKAGING pcs	
0400971	1/2"	40	1	90
0400972	3/4"	40	1	60
0400973	1"	40	1	35
0400974	1 1/4"	40	1	25
0400975	1 1/2"	40	1	16
0400976	2"	40	1	8
0400977	2 1/2"	25	1	6
0400978	3"	25	1	4
0400979	4"	25	1	2

A mm	B mm	C mm	D mm	E inch "
49	90	53	15	1/2
58	90	57	20	3/4
67	125	65	25	1
81	125	71	32	1 1/4
94	140	79	40	1 1/2
110	140	87	50	2
141	200	117	65	2 1/2
163	280	132	80	3
188	280	144	100	4



### Ball valve

Connection : female thread  
 Material : PP  
 Operation : lever  
 Handle material: fibreglass-reinforced  
                                   nylon  
 Colour lever : red  
 Material seal : PTFE



PART NO.	SIZE	PRESSURE bar	PACKAGING pcs	
0401581	3/8"	16	1	100
0401582	1/2"	16	1	50
0401583	3/4"	16	1	40
0401584	1"	16	1	25
0401585	1 1/4"	16	1	15
0401586	1 1/2"	16	1	10
0401587	2"	16	1	6

A mm	B mm	C mm	D mm	E inch "
52	80	46	10	3/8
61	100	55	15	1/2
71.5	100	59	20	3/4
83	120	70	25	1
98	120	76	32	1 1/4
107	150	98	40	1 1/2
131	150	104	50	2



- DRINKERS
- PLASTIC PRESSURE PIPING SYSTEMS
- FASTENERS AND ADHESIVES
- CLAMPS
- METAL VALVES
- COUPLINGS AND ACCESSORIES
- HOSES
- METAL PIPES AND FITTINGS
- MEASUREMENT, REGULATION AND FILTRATION
- PUMPS, PRESSURE TANKS AND ACCESSORIES
- TANKS
- CLIMATE



**Ball bib tap**

- Connection : male thread x hose tail
- Material : PP
- Operation : lever
- Handle material: fibreglass-reinforced nylon
- Colour lever : red
- Ball material : hard chrome plated brass

PART NO.	SIZE	PRESSURE bar	PACKAGING pcs	
0401597	1/2" x 13 mm	16	1	40
0401598	3/4" x 19 mm	16	1	25
0401599	1" x 25 mm	16	1	15

# METAL VALVES



## Pneumatic operated ball valve double acting

Connection : female thread  
 Material : brass  
 Operation : pneumatic double acting  
 Ball material : hard chrome plated brass  
 Material seal : PTFE  
 Control pressure: 6-8 bar class ISO / 4  
 Air connection : 1/4 BSP

PART NO.	SIZE	PRESSURE bar
0412216	3/4"	16
0412217	1"	16
0412218	1 1/4"	16
0412219	1 1/2"	16
0412220	2"	16

# Brass Ball Valves, Actuated



## Pneumatic operated ball valve, type single acting

Connection : female thread  
 Material : brass  
 Operation : pneumatic single acting  
 Ball material : hard chrome plated brass  
 Material seal : PTFE  
 Control pressure: 6-8 bar class ISO / 4  
 Air connection : 1/4" BSP

PART NO.	SIZE	PRESSURE bar
0412226	1"	16
0412227	1 1/4"	16
0412228	1 1/2"	16
0412229	2"	16



## Electric operated ball valve

Connection : female thread  
 Material : brass  
 Operation : actuator 230V  
 Ball material : hard chrome plated brass  
 Material seal : PTFE  
 DIN Standard : DIN 43650  
 Adjustable angle : 0-90 °  
 Feature : with 2 end switches

PART NO.	SIZE	PRESSURE bar
0412486	3/4"	40
0412487	1"	40
0412488	1 1/4"	40
0412495	1 1/2"	40
0412496	2"	25



## Brass Ball Valves, Mini



### High pressure ball valve, type Hipress 2321

Connection : female thread  
 Material : brass  
 Surface treatment: nickel plated  
 Operation : lever  
 Handle material : aluminium  
 Colour lever : black  
 Material seal : PTFE

PART NO.	SIZE	PRESSURE bar
0401275	3/8"	210
0401276	1/2"	210
0401277	3/4"	210
0401278	1"	210



### Mini ball valve, type 405

Connection : female thread  
 x male thread  
 Material : brass  
 Surface treatment: chrome plated  
 Operation : lever  
 Handle material : plastic  
 Colour lever : black  
 Material seal : PTFE

PART NO.	SIZE	PRESSURE bar
0401364	1/8"	15
0401360	1/4"	15
0401361	3/8"	15
0401362	1/2"	15
0401363	3/4"	15



### Mini ball valve, type 410

Connection : male thread  
 Material : brass  
 Surface treatment: chrome plated  
 Operation : lever  
 Handle material : aluminium  
 Colour lever : black  
 Material seal : PTFE

PART NO.	SIZE	PRESSURE bar
0401348	1/2"	15



### Mini ball valve, type 400

Connection : female thread  
 Material : brass  
 Surface treatment: chrome plated  
 Operation : lever  
 Handle material : plastic  
 Colour lever : black  
 Material seal : PTFE

PART NO.	SIZE	PRESSURE bar
0401354	1/8"	15
0401350	1/4"	15
0401351	3/8"	15
0401352	1/2"	15
0401353	3/4"	15



### Mini ball valve, type 406

Connection : female thread  
 x male thread  
 Material : brass  
 Surface treatment: chrome plated  
 Operation : screwdriver slot  
 Material seal : PTFE

PART NO.	SIZE	PRESSURE bar
0401371	1/4"	15
0401372	3/8"	15
0401373	1/2"	15

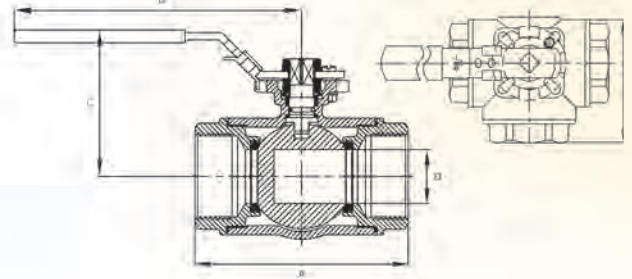
# METAL VALVES



## L-port ball valve, side branch

Connection : female thread  
 Material : brass  
 Surface treatment: nickel plated  
 Operation : lever  
 Ball bore : L-bore  
 Material seal : PTFE

## Brass Ball Valves, Three Way



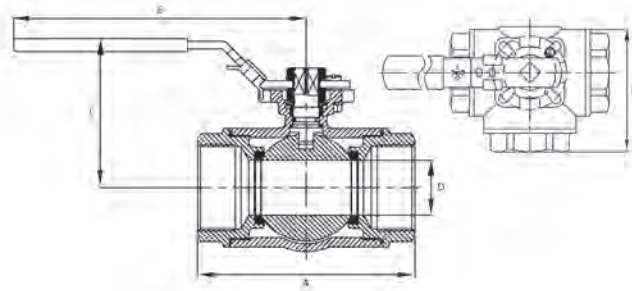
PART NO.	SIZE	PRESSURE bar
0401474	1/4"	16
0401475	3/8"	16
0401476	1/2"	16
0401477	3/4"	16
0401478	1"	16
0401479	1 1/4"	16
0401480	1 1/2"	16
0401481	2"	16

A mm	B mm	C mm	D mm	E inch "
77	125	65	10	1/4
77	125	65	12	3/8
77	125	65	14	1/2
92	145	83	18	3/4
104	170	96	23	1
118	170	102	29	1 1/4
138	170	109	36	1 1/2
162	260	139	45	2



## T-port ball valve, side branch

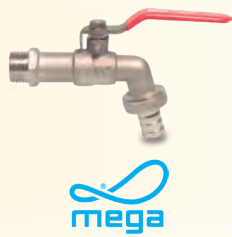
Connection : female thread  
 Material : brass  
 Surface treatment: nickel plated  
 Operation : lever  
 Ball bore : T-bore  
 Material seal : PTFE



PART NO.	SIZE	PRESSURE bar
0401506	1/4"	16
0401509	3/8"	16
0401512	1/2"	16
0401518	3/4"	16
0401525	1"	16
0401532	1 1/4"	16
0401540	1 1/2"	16
0401550	2"	16

A mm	B mm	C mm	D mm	E inch "
77	125	65	10	1/4
77	125	65	12	3/8
77	125	65	14	1/2
92	145	83	18	3/4
104	170	96	23	1
118	170	102	29	1 1/4
138	170	109	36	1 1/2
162	260	139	45	2

## Bib Taps



### Mega Bib tap, type 120

Connection : male thread x hose tail  
 Material : brass  
 Surface treatment: nickel plated  
 Operation : lever  
 Handle material : stainless steel  
 Colour lever : red

PART NO.	SIZE	PACKAGING pcs	
0401295	1/2" x 12 mm	25	100
0401296	3/4" x 19 mm	15	60
0401297	1" x 25 mm	10	40



### Mega Chrome plated brass bib tap

Connection : male thread x hose tail  
 Material : brass  
 Surface treatment: matt chrome plated  
 Operation : butterfly handle  
 Handle material : brass

PART NO.	SIZE	PACKAGING pcs	
0401465	1/2" x 12 mm	12	72
0401460	3/4" x 19 mm	8	48



### Itap Ball bib tap, type K132

Connection : male thread x hose tail  
 Material : brass  
 Surface treatment: nickel plated  
 Operation : lever  
 Handle material : steel  
 Colour lever : red

PART NO.	SIZE	PACKAGING pcs	
0401453	3/8" x 12 mm	10	120
0401452	1/2" x 12 mm	10	120
0401458	3/4" x 19 mm	6	72
0401459	1" x 25 mm	6	42

# METAL VALVES



## Mega Gate valve, type 201

With cast handwheel.

Connection : female thread  
 Material : brass  
 Operation : handwheel  
 Handle material: cast iron  
 Colour lever : red  
 Material valve : brass



PART NO.	SIZE	PRESSURE bar
0400100	1/2"	16
0400101	3/4"	16
0400102	1"	16
0400103	1 1/4"	16
0400104	1 1/2"	16
0400105	2"	16
0400106	2 1/2"	16
0400107	3"	16
0400108	4"	16

# Brass Gate Valves



## Gate valve, type K 220

Connection : female thread  
 Material : brass  
 Operation : handwheel  
 Handle material: coated steel  
 Colour lever : red  
 Material valve : brass



PART NO.	SIZE	PRESSURE bar
0400625	5"	10
0400650	6"	10

# Brass Solenoid Valves



## Solenoid valve, type WKB

Connection : female thread  
 Material : brass  
 Operation : indirect servo-operated  
 Voltage : 230VAC  
 Deactivated when open: no

PART NO.	SIZE	TYPE	PRESSURE bar
0404069	1/2"	WKB	16
0404070	3/4"	WKB	16
0404071	1"	WKB	16
0404072	1 1/4"	WKB	10
0404073	1 1/2"	WKB	10
0404074	2"	WKB	10

## Brass Solenoid Valves

### Solenoid valve, type WKE

This valve needs a minimum pressure difference of 1 mwc at the valve.

Connection : female thread  
 Material : brass  
 Operation : indirect servo-operated  
 Voltage : 230VAC  
 Deactivated when open: no



PART NO.	SIZE	TYPE	PRESSURE bar
0404091	1/2"	WKE	20
0404092	3/4"	WKE	16

### Solenoid valve, type HK

This valve will be delivered with an 8 Watt 230V/50Hz coil up to 3/4".  
 The 1" version will be delivered with a 14 Watt coil.  
 No pressure difference is needed.

Connection : female thread  
 Material : brass  
 Operation : direct servo-operated  
 Voltage : 230VAC  
 Deactivated when open: no



PART NO.	SIZE	TYPE	PRESSURE bar
0404099	1/2"	HK	14
0404100	3/4"	HK	14
0404101	1"	HK	8

### Spare Coil

PART NO.	VOLTAGE	FREQUENCY Hz	POWER W	SUITABLE FOR
0404103	24VAC	50	8	All models, except 0404101
0404106	230VAC	50	8	All models, except 0404101
0404109	24VDC	50	8	All models, except 0404101



### Connector for solenoid valve, type WKB, HK, WKE

PART NO.	
7027864	Connector for solenoid valve, type WKB, HK, WKE





## METAL VALVES

## Cast Iron Valves



### Profec Gate valve, type 301

Connection : DIN flange  
 Material : ductile iron (GGG40)  
 Surface treatment: epoxy coating  
 Operation : handwheel  
 Handle material : cast iron  
 Material spindle : stainless steel  
 Material valve : cast iron EPDM coated  
 Material seal : NBR  
 Max. temperature : 110 °C



PART NO.	SIZE	PCD mm	FLANGE	HOLES	Ø HOLE mm	PRESSURE bar
0400700	DN50	125	PN10/16	4	18	16
0400701	DN65	145	PN10/16	4	18	16
0400702	DN80	160	PN10/16	8	18	16
0400703	DN100	180	PN10/16	8	18	16
0400704	DN125	210	PN10/16	8	18	16
0400705	DN150	240	PN10/16	8	23	16
0400706	DN200	295	PN10	8	23	16
0400707	DN250	350	PN10	12	23	16
0400708	DN300	400	PN10	12	23	16



DRINKERS

PLASTIC PRESSURE PIPING SYSTEMS

FASTENERS AND ADHESIVES

CLAMPS

METAL VALVES

COUPLINGS AND ACCESSORIES

HOSES

METAL PIPES AND FITTINGS

MEASUREMENT, REGULATION AND FILTRATION

PUMPS, PRESSURE TANKS AND ACCESSORIES

TANKS

CLIMATE

### Profec Gate valve, type 200

Connection : DIN flange  
 Material : cast iron GG 25  
 Surface treatment: varnished  
 Operation : handwheel  
 Handle material : cast iron  
 Material spindle : stainless steel  
 Material valve : cast iron  
 Material seal : EPDM  
 Max. temperature : 100 °C



PART NO.	SIZE	PCD mm	FLANGE	HOLES	Ø HOLE mm	PRESSURE bar
0400760	DN40	110	PN10/16	4	88	10
0400761	DN50	125	PN10/16	4	102	10
0400762	DN65	145	PN10/16	4	122	10
0400763	DN80	160	PN10/16	8	138	10
0400764	DN100	180	PN10/16	8	158	10
0400765	DN125	210	PN10/16	8	188	10
0400766	DN150	240	PN10/16	8	212	10
0400767	DN200	295	PN10	8	268	10
0400768	DN250	350	PN10	12	320	10
0400769	DN300	400	PN10	12	370	10

# METAL VALVES

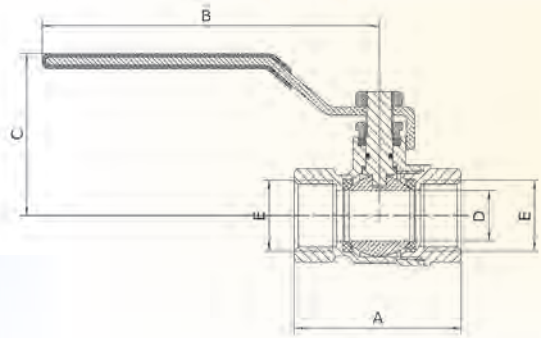


## Profec 1-piece Ball valve

Connection : female thread  
 Material : stainless steel 316  
 Operation : lever  
 Handle material: stainless steel  
 Colour lever : blue  
 Material seal : PTFE

PART NO.	SIZE	PRESSURE bar
0090892	1/4"	40
0090893	3/8"	40
0090894	1/2"	40
0090895	3/4"	40
0090896	1"	40
0090897	1 1/4"	40
0090898	1 1/2"	40
0090899	2"	40

## Stainless Steel Valves



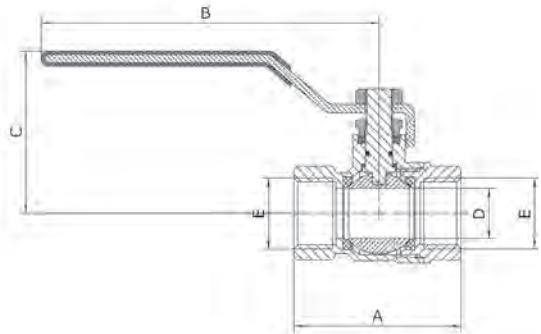
A mm	B mm	C mm	D mm	E inch "
39.5	63	29	5	1/4
43.5	90	32	7	3/8
55	93	39	9	1/2
58.5	93	43	12.5	3/4
70	110	50	15	1
77	110	55	20	1 1/4
81	140	70	25	1 1/2
95	140	68	32	2



## Profec 2-piece ball valve

Connection : female thread  
 Material : stainless steel 316  
 Operation : lever  
 Handle material: stainless steel  
 Colour lever : blue  
 Material seal : PTFE

PART NO.	SIZE	PRESSURE bar
0090940	1/4"	64
0090941	3/8"	64
0090942	1/2"	64
0090943	3/4"	64
0090944	1"	64
0090945	1 1/4"	64
0090946	1 1/2"	64
0090947	2"	64
0090948	2 1/2"	64
0090949	3"	64
0090950	4"	64



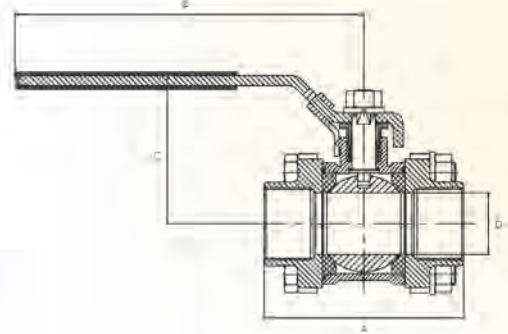
A mm	B mm	C mm	D mm	E inch "
49	100	47	12.5	1/4
49	100	47	12.5	3/8
57	100	48	15	1/2
64	112	60	20	3/4
75	112	64.5	25	1
88.5	145	78	32	1 1/4
97	145	82	38	1 1/2
120	165	97	50	2
150	230	117	65	2 1/2
168	230	126	76	3
214	308	172	94	4





### Profec 3-piece ball valve

Connection : female thread  
 Material : stainless steel 316  
 Operation : lever  
 Handle material: stainless steel  
 Colour lever : blue  
 Material seal : PTFE



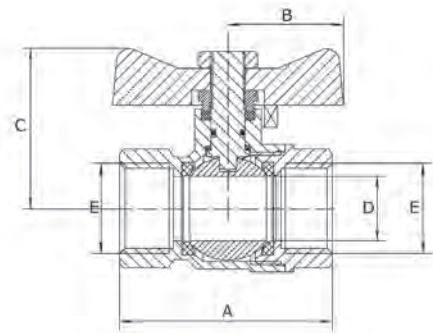
PART NO.	SIZE	PRESSURE bar
0090951	1/4"	70
0090952	3/8"	70
0090953	1/2"	70
0090954	3/4"	70
0090955	1"	70
0090956	1 1/4"	70
0090957	1 1/2"	70
0090958	2"	70
0090959	2 1/2"	70
0090960	3"	70
0090961	4"	70

A mm	B mm	C mm	D mm	E inch "
51	100	45	12.5	1/4
51	100	45	12.5	3/8
62	100	49	15	1/2
69	112	60	20	3/4
79	112	64	25	1
96	145	80	32	1 1/4
102	145	83	38	1 1/2
124	165	97	50	2
159	230	108	65	2 1/2
179	290	125	76	3
220	300	169	94	4



### Profec 2-piece ball valve

Connection : female thread  
 Material : stainless steel 316  
 Operation : butterfly handle  
 Handle material: stainless steel  
 Colour lever : blue  
 Material seal : PTFE



PART NO.	SIZE	PRESSURE bar
0090980	1/4"	50
0090981	3/8"	50
0090982	1/2"	50
0090983	3/4"	50
0090984	1"	50

A mm	B mm	C mm	D mm	E inch "
50	28	265	9	1/4
54	28	28.5	12	3/8
57	30	29.5	15	1/2
68	30	34.5	20	3/4
80	34	49.5	25	1

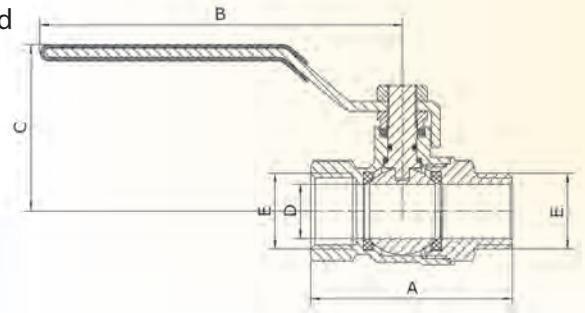
# METAL VALVES

## Stainless Steel Valves



### Profec 2-piece body ball valve

Connection : female thread x male thread  
 Material : stainless steel 316  
 Operation : lever  
 Handle material: stainless steel  
 Colour lever : blue  
 Material seal : PTFE



PART NO.	SIZE	PRESSURE bar
0091009	3/8"	50
0091010	1/2"	50
0091011	3/4"	50
0091012	1"	50
0091013	1 1/4"	50
0091014	1 1/2"	50
0091015	2"	50

A mm	B mm	C mm	D mm	E inch "
58.5	110	50	12	3/8
69	115	50	15	1/2
77.5	115	58	20	3/4
91.5	130	68	25	1
105.5	130	75	32	1 1/4
114	160	82	38	1 1/2
140	160	91	50	2



### Profec Mini ball valve

Connection : female thread x male thread  
 Material : stainless steel 316  
 Operation : lever  
 Handle material: plastic  
 Colour lever : black



PART NO.	SIZE	PRESSURE bar
0091016	1/4"	40
0091017	3/8"	40
0091018	1/2"	40



### Profec Mini ball valve

Connection : female thread  
 Material : stainless steel 316  
 Operation : lever  
 Handle material: plastic  
 Colour lever : black



PART NO.	SIZE	PRESSURE bar
0091019	1/4"	40
0091020	3/8"	40
0091021	1/2"	40



### Profec Bib tap

Connection : male thread x hose tail  
 Material : stainless steel 316  
 Operation : lever  
 Handle material: stainless steel 304  
 Colour lever : blue



PART NO.	SIZE	PRESSURE bar
0091025	1/2" x 12 mm	10
0091026	3/4" x 16 mm	10
0091027	1" x 25 mm	10



DRINKERS

PLASTIC PRESSURE PIPING SYSTEMS

FASTENERS AND ADHESIVES

CLAMPS

METAL VALVES

COUPLINGS AND ACCESSORIES

HOSES

METAL PIPES AND FITTINGS

MEASUREMENT, REGULATION AND FILTRATION

PUMPS, PRESSURE TANKS AND ACCESSORIES

TANKS

CLIMATE

## Butterfly Valves

### Profec Butterfly valve, type 601

- Connection : flange
- Colour : blue
- Operation : lever
- Handle material : cast iron
- Colour lever : black
- Material spindle : stainless steel 316
- Material valve : stainless steel 304
- Material seal : EPDM



PART NO.	SIZE	PCD mm	FLANGE	PRESSURE bar
0401865	DN50	110/125	PN6/10/16	10
0401866	DN65	130/145	PN6/10/16	10
0401867	DN80	150/160	PN6/10/16	10
0401868	DN100	170/180	PN6/10/16	10
0401869	DN125	200/210	PN6/10/16	10
0401870	DN150	225/240	PN6/10/16	10
0401871	DN200	280/295	PN6/10/16	10
0401872	DN250	335/355	PN6/10/16	10
0401873	DN300	395/410	PN6/10/16	10

# METAL VALVES

## Butterfly Valves



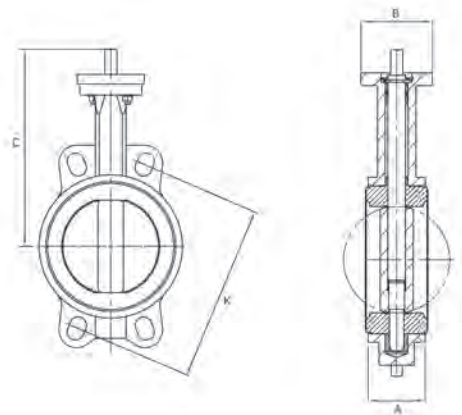
### Profec Butterfly valve, type 600

Connection : flange  
 Colour : blue  
 Operation : lever  
 Handle material : cast iron  
 Colour lever : black  
 Material spindle : stainless steel 316  
 Material valve : ductile iron  
 Material seal : EPDM



PART NO.	SIZE	PCD mm	FLANGE	PRESSURE bar
0401850	DN50	110/125	PN6/10/16	10
0401851	DN65	130/145	PN6/10/16	10
0401852	DN80	150/160	PN6/10/16	10
0401853	DN100	170/180	PN6/10/16	10
0401854	DN125	200/210	PN6/10/16	10
0401855	DN150	225/240	PN6/10/16	10
0401856	DN200	280/295	PN6/10/16	10
0401857	DN250	335/355	PN6/10/16	10

A mm	B mm	C mm	D mm	K mm
42	90	189	125	110/125
44	90	203	145	130/145
45	90	209	160	150/160
52	90	228	180	170/180
54	90	241	210	200/210
56	90	254	240	225/240
60.5	90	288	295	280/295
65.5	125	320	350	335/355



## Slurry Valves



### MZ Lever gate valve

Connection : female thread  
 Material : brass  
 Operation : lever  
 Handle material : brass  
 Material valve : brass  
 Material seal : metal seal  
 Max. temperature: 120 °C

PART NO.	SIZE	PRESSURE bar	TYPE
0400807	2 1/2"	3	0030
0400808	3"	3	0030
0400809	4"	3	0030
0400810	6"	3	0030



### MZ sluice valve, type 0074

Including fork O-rings.

Connection : flange MZ  
 Material : brass  
 Operation : bar  
 Material spindle : brass  
 Material valve : brass  
 Material seal : metal seal  
 Max. temperature: 80 °C

PART NO.	SIZE	HOLE SPACING mm	PRESSURE bar	TYPE
0400825	4"	150 x 150	3	0074
0400826	5"	150 x 150	3	0074
0400827	6"	150 x 150	2,5	0074
0400828	8"	180 x 180	1,5	0074



### MZ sluice valve

Including fork

Connection : female thread  
 Material : brass  
 Operation : bar  
 Material spindle : brass  
 Material valve : brass  
 Material seal : metal seal  
 Max. temperature: 80 °C

PART NO.	SIZE	PRESSURE bar	TYPE
0400820	4"	4	0040
0400821	5"	4	0070
0400822	6"	4	0040



### MZ sluice valve thread/flange, type 0072

Connection : flange MZ x female thread  
 Material : brass  
 Material spindle : brass  
 Max. temperature: 80 °C

PART NO.	SIZE	HOLE SPACING mm	PRESSURE bar	TYPE
0400832	6"		2,5	0072



### MZ sluice valve, type ECO 0075

Connection : flange MZ  
 Material : brass  
 Operation : bar  
 Material spindle : brass  
 Material valve : brass  
 Material seal : metal seal  
 Max. temperature: 80 °C

PART NO.	SIZE	HOLE SPACING mm	PRESSURE bar	TYPE
7006407	6"	150 x 150	2,5	ECO 0075



### MZ sluice valve, type 0044

Including fork & O-rings. Large upper part.  
 Available with drilled handle pivot on request.

Connection : flange MZ  
 Material : brass  
 Operation : bar  
 Material spindle : brass  
 Material valve : brass  
 Material seal : metal seal  
 Max. temperature: 80 °C

PART NO.	SIZE	HOLE SPACING mm	PRESSURE bar	TYPE
0400734	4"	150 x 150	4	0044
0400736	6"	150 x 150	4	0044

# METAL VALVES



## MZ sluice valve with hydraulic cylinder, type 0074

Connection : flange  
Material : brass  
Operation : hydraulic cylinder  
Material valve : brass



PART NO.	SIZE	PRESSURE bar
0490038	6"	2,5



## MZ flanged sluice valve with double acting pneumatic cylinder, type 0080

Connection : flange MZ  
Material : brass  
Operation : pneumatic cylinder  
Material valve : stainless steel  
Material seal : metal seal  
Max. temperature: 80 °C



PART NO.	SIZE	PRESSURE bar
0400741	6"	4
0400742	8"	4



## Special handle for MZ or RIV sluice valve

Material : steel  
Surface treatment: galvanised



PART NO.	SIZE	SUITABLE FOR
0200757	4"-5"-6"	MZ 4"-5"-6"
0200758	8"	MZ 8"



## MZ Lever assembly, type 0930

Material : steel  
Surface treatment: galvanised



PART NO.	SIZE	SUITABLE FOR
0402256	4"-5"-6"	type 0074 4", 5", 6"
0402257	8"	type 0074 8"

# Slurry Valves



## MZ sluice valve, type 0080

Including fork O-rings.

Connection : flange MZ  
Material : brass  
Operation : bar  
Material spindle : brass  
Material valve : brass  
Material seal : metal seal  
Max. temperature: 80 °C



PART NO.	SIZE	HOLE SPACING mm	PRESSURE bar	TYPE
7003680	4"	120 x 120	4	0080
0400749	8"	195 x 195	4	0080
0400756	6"	150 x 150	4	0080



## Handle for MZ or RIV sluice valve

Material : steel  
Surface treatment: galvanised



PART NO.	SIZE	SUITABLE FOR
0200750	4"	MZ 4"
0200751	5"	MZ 5"
0200752	6"	MZ 6"
0200753	8"	MZ 8"



## MZ knife valve DIN flange, type 0090

Connection : flange  
Material : cast iron  
Surface treatment: varnished  
Colour : green  
Material spindle : brass  
Material valve : stainless steel  
Material seal : metal seal



PART NO.	SIZE	PRESSURE bar
0402250	6"	10
0402258	8"	8
0402259	8"	8



**MZ Double acting pneumatic cylinder, item 57**



PART NO.	SIZE	FEATURE
0401821	4"	double acting
0401823	6"	double acting
0401824	8"	double acting



**Hydraulic cylinder for MZ sluice valve 0074**  
Fail safe single action. Ram connects directly to valve disc.



PART NO.	SIZE
0401718	4"
0401719	5"
0401720	6"
0401721	8"



**MZ Single acting Hydraulic cylinder, type 0510**



PART NO.	SIZE	SUITABLE FOR	FEATURE
0490045	4"	MZ sluice valve 4"	with spring
0490047	6"	MZ sluice valve 6"	with spring
0490048	8"	MZ sluice valve 8"	with spring



**MZ upper part (no. 3)**  
Material: brass



PART NO.	SIZE	SUITABLE FOR
0401686	6"	for type 0070



**MZ double acting Pneumatic cylinder with end position switch and reed contact, item 57M**



PART NO.	SIZE	FEATURE
0401959	4"	double acting with magnetic sensors
0400738	6"	double acting with magnetic sensors
0400739	8"	double acting with magnetic sensors



**MZ Hydraulic cylinder, stem 0050**  
Single acting.



PART NO.	SIZE	SUITABLE FOR
0490040	4"	MZ sluice valve 4"
0490041	5"	MZ sluice valve 5"
0490042	6"	MZ sluice valve 6"
0490043	8"	MZ sluice valve 8"



**MZ Hydraulic cylinder, type 0055**



PART NO.	SIZE	SUITABLE FOR	FEATURE
0490044	4"-6"	4", 5", 6"	double acting
0490049	8"	8"	double acting



**MZ upper part**  
Material: brass



PART NO.	SIZE	SUITABLE FOR
0401706	6"	for type 0072
0401707	8"	for type 0072

# METAL VALVES



**MZ hex. socket screw (no. 11)**

Material: stainless steel



PART NO.	SIZE
0401683	M8 x 16 mm



**MZ grease nipple**

Used for lubrication

Material : steel  
Surface treatment: galvanised



PART NO.	SIZE
0401677	4"-5"-6"
0401674	8"



**Adaptor for hydraulic cylinder**

Material: brass



PART NO.	SIZE
0401803	5"-6"
0401848	8"



**MZ fork head**

Material: brass



PART NO.	SIZE
0401678	4-5-6-8"

# Slurry Valves



**MZ gland screw (no. 8)**

Material: brass



PART NO.	SIZE
0401679	4"-5"-6"
0401680	8"



**Wedge**

Material: brass



PART NO.	SIZE	SUITABLE FOR
0401694	6"	type 0070



**MZ spindle (no. 4)**

Material: brass



PART NO.	SIZE
0401688	4"
0401689	5"
0401690	6"
0401691	8"



**MZ spindle seal (no. 6)**

Material: polymer



PART NO.	SIZE
0401681	4"-5"-6"
0401682	8"





### MZ flat gasket (no. 2)

Material: guamotor



PART NO.	SIZE
0401697	5"
0401698	6"
0401699	8"
0401696	4"



### MZ o-ring (no. 10)

Material: NBR



PART NO.	SIZE
0401716	4"-5"-6"
0401717	8"



### MZ Spare handle for 3-way block valves

Material: brass



PART NO.	SIZE	FEATURE
0402200	5"-6"	for 3-way plug valve 2



### B&P Swivel joint, type 0070

Housing: cast-iron G20 UNI 5007  
 Ball bearing-diameter: 1/2"  
 chrome steel DIN 100 Cr6  
 Rings: NBR 75 shore  
 Tolerance according to DIN 5401 1V.

Connection: flange  
 Material : cast iron



PART NO.	SIZE	PCD mm	HOLES	PRESSURE bar
0400842	4"	220	6	6
0400844	6"	260	6	6
0400845	8"	320	6	6



### MZ slider (no. 3)

Material: brass



PART NO.	SIZE
0401710	6"
0401711	8"
0401709	5"
0401708	4"



### MZ 3-way block valve, type 0020

With brass plug and 3 O-rings.

Connection : flange  
 Material : cast iron  
 Handle material: brass  
 Material seal : NBR



PART NO.	SIZE	PRESSURE bar	OPERATION
0402190	4"	4	lever
0402191	5"	4	lever
0402192	6"	4	lever
0402199	8"	4	without lever



### MZ Swivel joint, type 0720

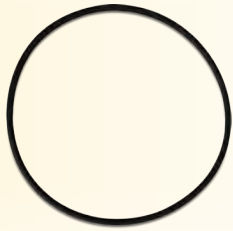
With 8-hole flange.

Connection: flange  
 Material : cast iron



PART NO.	SIZE	PCD mm	HOLES	PRESSURE bar
0400853	6"	240	8	6
0400851	8"	295	8	6

# METAL VALVES



**MZ O-ring for swivel joint**



PART NO.	SIZE
0400854	6"
0400855	8"
0400856	10"



**MZ overflow valve, 2 balls, type 0180**

Connection: hose tail  
Material : brass



PART NO.	SIZE
0401752	50 mm
0401753	60 mm
0401747	75 mm



**MZ siphon separator, type 024 B**

Connection: hose tail  
Material : fibreglass-reinforced nylon



PART NO.	SIZE
0401772	50 mm
0401774	60 mm
0401779	80 mm

# Slurry Valves



**MZ Flange for swivel joint**

Material: cast iron



PART NO.	SIZE	PCD mm	HOLES
0400847	4"	220	6
0400848	6"	260	6
0400849	8"	320	6
0400850	10"	360	6



**Swivel joint**

Connection : flange MZ  
Material : steel  
Surface treatment: galvanised



PART NO.	SIZE
0400857	6"
0400858	8"



**MZ siphon separator item 0240**

Connection: hose tail  
Material : fibreglass-reinforced nylon



PART NO.	SIZE
0401755	50 mm
0401756	60 mm
0401758	80 mm



### MZ sight glass



PART NO.	FEATURE
0490030	new model no. 0240
0401734	old type with clamp
0490008	long model no 28
0401735	old type with thread



### Floating ball, with plastic core

Material: plastic/rubber



PART NO.	SIZE
0401760	60 mm
0401761	70 mm
0401762	80 mm
0401763	100 mm



### MZ Vacuum valve, type 0810

Connection: male thread  
Material : brass



PART NO.	SIZE
0401847	1 1/2"



### MZ o-ring for sight glass

Material: NBR



PART NO.	TYPE
0401736	26
0401738	24



### MZ overflow valve, 2 balls, type 0160

Connection: hose tail  
Material : brass



PART NO.	SIZE
0401886	60 mm
0401888	80 mm



### Rubber floating ball, solid

Material: rubber



PART NO.	SIZE
0401764	60 mm
0401765	70 mm
0401766	80 mm
0401767	100 mm

# METAL VALVES



**MZ Pressure release valve, type 0860**

Connection: male thread  
Material : brass



PART NO.	SIZE
0401826	1 1/4"
0401827	1 1/2"
0401828	2"



**Perspex sight glass**

Connection: male thread  
Material : perspex



PART NO.	SIZE
0401784	2"
0401785	3"
0401842	4"



**Ready-to-fit level indicator**



PART NO.
0290040

# Slurry Valves



**MZ Pressure release valve, type 0870**

With hose tail and stainless steel spring.

Connection: male thread  
Material : brass



PART NO.	SIZE	OUTLET PRESSURE bar
0401830	1 1/4"	0,3 - 1,8
0401831	1 1/2"	0,3 - 1,5
0401832	2"	0,3 - 1,2



**Mounting ring**

Material: steel



PART NO.	SIZE
0401788	2"
0401789	3"



**O-ring**

Material: NBR



PART NO.	SIZE
0401786	2"
0401787	3"



**MZ Lubricator**

Connection: male thread x hose tail  
Material : brass



PART NO.	SIZE
0401730	1/4" x 7 mm

## Plastic and Brass Check Valves



### Non return valve spring loaded, type 2700

Connection : female thread  
 Material : PA  
 Material seal : NBR  
 Material (spring) : stainless steel 316

PART NO.	SIZE	MAX. TEMP. °C	PRESSURE bar	PACKAGING pcs	
0440855	1/2"	85	10	5	150
0440856	3/4"	85	10	5	100
0440857	1"	85	10	5	100



### Non return valve spring loaded, type Amita

Corrosion resistant  
 Connection : female thread  
 Material : PA glass fibre reinforced  
 Material seal : NBR  
 Material (spring) : stainless steel 316



PART NO.	SIZE	MAX. TEMP. °C	PRESSURE bar	PACKAGING pcs	
0440873	1/2"	90	8	1	12
0440874	3/4"	90	8	30	240
0440875	1"	90	8	1	8
0440876	1 1/4"	90	8	1	6
0440877	1 1/2"	90	8	1	6



### Profec Non return valve spring loaded, type Profec 5

Connection : female thread  
 Material : brass  
 Material seal : NBR  
 Material (spring) : stainless steel 302



PART NO.	SIZE	MAX. TEMP. °C	PRESSURE bar	PACKAGING pcs	
0420550	1/4"	100	16	30	240
0420551	3/8"	100	16	30	240
0420552	1/2"	100	16	30	240
0420553	3/4"	100	16	18	144
0420554	1"	100	16	14	84
0420555	1 1/4"	100	10	12	72
0420556	1 1/2"	100	10	10	40
0420557	2"	100	10	6	36
0420558	2 1/2"	100	8	1	15
0420559	3"	100	8	1	12

# METAL VALVES



## Non return valve spring loaded, type York

Connection : female thread  
 Material : brass  
 Material seal : NBR  
 Material (spring) : stainless steel 304



PART NO.	SIZE	MAX. TEMP. °C	PRESSURE bar	PACKAGING pcs	
0405009	3/8"	110	12	10	200
0405012	1/2"	110	12	10	200
0405018	3/4"	110	12	8	128
0405025	1"	110	12	8	88
0405032	1 1/4"	110	10	6	54
0405040	1 1/2"	110	10	4	36
0405050	2"	110	10	2	28
0405063	2 1/2"	110	8	1	16
0405075	3"	110	8	1	12
0405099	4"	110	8	1	7



## Non return valve spring loaded, type Europa

Connection : female thread  
 Material : brass  
 Material seal : NBR  
 Material (spring) : stainless steel 304



PART NO.	SIZE	MAX. TEMP. °C	PRESSURE bar	PACKAGING pcs	
0405105	3/8"	110	25	10	130
0405106	1/2"	110	25	10	120
0405107	3/4"	110	25	8	88
0405108	1"	110	25	6	54
0405109	1 1/4"	110	18	4	36
0405110	1 1/2"	110	18	4	32
0405111	2"	110	18	2	20
0405112	2 1/2"	110	12	1	9
0405113	3"	110	12	1	6
0405114	4"	110	12	1	4



## Itap Non return valve spring loaded, type Roma 104

Connection : female thread  
 Material : brass  
 Material seal : viton  
 Material (spring) : stainless steel



PART NO.	SIZE	MAX. TEMP. °C	PRESSURE bar	PACKAGING pcs	
0405210	3/8"	100	25	10	100
0405212	1/2"	100	25	10	100
0405218	3/4"	100	25	8	72
0405225	1"	100	25	6	48
0405232	1 1/4"	100	18	4	28
0405240	1 1/2"	100	18	4	24
0405250	2"	100	18	2	16



## Mega Swing check non-return valve, type 790

For horizontal mounting.

Connection : female thread  
 Material : brass  
 Material seal : NBR  
 Opening pressure: 0,5 bar



PART NO.	SIZE	MAX. TEMP. °C	PRESSURE bar	PACKAGING pcs	
0410609	3/8"	90	10	16	128
0410612	1/2"	90	10	18	216
0410618	3/4"	90	10	20	120
0410625	1"	90	10	1	96
0410632	1 1/4"	90	10	3	36
0410640	1 1/2"	90	10	1	36
0410650	2"	90	10	1	22
0410663	2 1/2"	90	10	1	12
0410675	3"	90	10	1	4
0410699	4"	90	10	1	2
0410698	6"	90	10	1	1



DRINKERS

PLASTIC PRESSURE PIPING SYSTEMS

FASTENERS AND ADHESIVES

CLAMPS

METAL VALVES

COUPLINGS AND ACCESSORIES

HOSES

METAL PIPES AND FITTINGS

MEASUREMENT, REGULATION AND FILTRATION

PUMPS, PRESSURE TANKS AND ACCESSORIES

TANKS

CLIMATE



**Mega Non return valve spring loaded**

Connection : female thread  
 Material : brass  
 Material seal : NBR  
 Material (spring) : stainless steel



PART NO.	SIZE	MAX. TEMP. °C	PRESSURE bar	PACKAGING pcs	
0410501	1/2"	100	10	1	216
0410502	3/4"	100	10	1	120
0410503	1"	100	10	1	84
0410504	1 1/4"	100	10	1	56
0410505	1 1/2"	100	10	1	20
0410506	2"	100	10	1	12



**Non return valve spring loaded, type 425**

Connection : female thread  
 Material : brass  
 Material seal : EPDM  
 Material (spring) : stainless steel

PART NO.	SIZE	MAX. TEMP. °C	PRESSURE bar	PACKAGING pcs	
0410418	3/4"	90	10	1	20
0410425	1"	90	10	1	10
0410432	1 1/4"	90	10	1	10
0410440	1 1/2"	90	10	1	5
0410450	2"	90	10	1	2
0410463	2 1/2"	90	10	1	1
0410475	3"	90	10	1	1

# METAL VALVES

## Stainless Steel Check Valves



### Non return valve spring loaded, type M

Connection : female thread  
 Material : stainless steel 304  
 Material seal : viton  
 Material (spring): stainless steel 304



### Non return valve spring loaded, type M304

Connection : female thread  
 Material : stainless steel 304  
 Material seal : viton  
 Material (spring): stainless steel 304

PART NO.	SIZE	MAX. TEMP. °C	PRESSURE bar	PACKAGING pcs	
0080418	1/4"	90	16	1	12
0080419	3/8"	90	16	1	12
0080420	1/2"	90	16	1	12

PART NO.	SIZE	MAX. TEMP. °C	PRESSURE bar	PACKAGING pcs	
0080421	3/4"	150	16	1	8
0080422	1"	150	16	1	8
0080423	1 1/4"	150	16	1	6
0080424	1 1/2"	150	16	1	6
0080425	2"	150	16	1	4
0080427	3"	150	16	1	1



### Profec Non return valve spring loaded

Connection : female thread  
 Material : stainless steel 316  
 Material seal : PTFE  
 Material (spring): stainless steel 304



PART NO.	SIZE	MAX. TEMP. °C	PRESSURE bar	PACKAGING pcs	
0080292	1/2"	200	40	1	1
0080293	3/4"	200	40	1	1
0080294	1"	200	40	1	1
0080295	1 1/4"	200	40	1	1
0080296	1 1/2"	200	40	1	1
0080297	2"	200	40	1	1



### Profec Flap check valve, type 161

Connection : flange  
 Material : stainless steel 316  
 Material seal : EPDM



PART NO.	SIZE	FLANGE	MAX. TEMP. °C	PRESSURE bar	PCD mm
0410542	DN50	PN10/16	105	16	125
0410543	DN65	PN10/16	105	16	145
0410544	DN80	PN10/16	105	16	160
0410545	DN100	PN10/16	105	16	180
0410546	DN125	PN10/16	105	16	210
0410547	DN150	PN10/16	105	16	240
0410548	DN200	PN10/16	105	16	295
0410549	DN250	PN10	105	16	350
0410551	DN300	PN10	105	16	400



## Safety Valves and Pressure Reducers

### Itap Adjustable pressure valve, type Minibrass 361

Connection : female thread  
 Material : brass  
 Surface treatment : nickel plated  
 Max. temp. : 80 °C  
 Factory pre-adjustment: 3 bar



PART NO.	SIZE	PRESSURE bar	OUTLET PRESSURE bar	PACKAGING pcs	
0410805	1/2"	15	1-4	4	44
0410806	3/4"	15	1-4	4	44

### Itap Adjustable pressure valve, type Eurobrass 143

Connection : female thread  
 Material : brass  
 Surface treatment : nickel plated  
 Max. temp. : 80 °C  
 Factory pre-adjustment: 3 bar



PART NO.	SIZE	PRESSURE bar	OUTLET PRESSURE bar	PACKAGING pcs	
0410812	1/2"	25	1-6	1	34
0410818	3/4"	25	1-6	1	34
0410825	1"	25	1-6	1	18
0410832	1 1/4"	25	1-6	1	9
0410840	1 1/2"	25	1-6	1	9
0410850	2"	25	1-6	1	8
0410851	2 1/2"	25	1-6	1	6
0410852	3"	25	1-6	1	4

## METAL VALVES



**Honeywell**

### Honeywell Adjustable pressure reducing valve, type D06F

Comes without pressure gauge

Connection: male thread

Material : brass

Max. temp. : 40 °C

Approval : DVGW/KIWA/WRAS

PART NO.	SIZE	PRESSURE bar	OUTLET PRESSURE bar
0410912	1/2"	16	1,5-6
0410918	3/4"	16	1,5-6
0410925	1"	16	1,5-6
0410932	1 1/4"	16	1,5-6
0410940	1 1/2"	16	1,5-6
0410950	2"	16	1,5-6



**Honeywell**

### Honeywell Adjustable pressure reducing valve, type D06FN

Same as type D06F, but without setting scale. With a brass sieve holder, without a pressure gauge.

For water and other non-aggressive liquids, compressed air and nitrogen.

The valve comes without couplings

Connection: male thread

Material : brass

Max. temp. : 70 °C

PART NO.	SIZE	PRESSURE bar	OUTLET PRESSURE bar
0410913	1/2"	25	0,5-2



### Maxiflo Pressure reducer, type 6002

Designed for simple, accurate and effective one-step reduction of water pressure.

Connection : male thread

Material : plastic

Max. temp. : 40 °C

Factory pre-adjustment: 3 bar

PART NO.	SIZE	PRESSURE bar	OUTLET PRESSURE bar
0411132	1/2" x 3/4"	3	0,05 - 0,6



DRINKERS

PLASTIC PRESSURE  
PIPING SYSTEMS

FASTENERS AND  
ADHESIVES

CLAMPS

METAL VALVES

COUPLINGS AND  
ACCESSORIES

HOSES

METAL PIPES AND  
FITTINGS

MEASUREMENT, REGULATION  
AND FILTRATION

PUMPS, PRESSURE TANKS  
AND ACCESSORIES

TANKS

CLIMATE



# COUPLINGS AND ACCESSORIES

Brass Hose Tails

Plastic, Brass and Stainless Steel Quick Couplers

Plastic Click Connectors

Spray Pistols, Lances and Accessories

Aluminium Couplers, Storz

Couplers and Pipes, Type Perrot

Couplers and Pipes, Type Bauer

Slurry Couplers and Fittings

# COUPLINGS AND ACCESSORIES

## Brass Hose Tails



**Profec Hose tail**  
 Connection: male thread x  
 hose tail  
 Material : brass



PART NO.	SIZE	MOQ
0411812	1/2" x 13 mm	10
0411817	3/4" x 13 mm	1
0411818	3/4" x 20 mm	10
0411762	3/4" x 25 mm	10
0411824	1" x 20 mm	10
0411825	1" x 25 mm	10
0411765	1" x 32 mm	1
0411832	1 1/4" x 32 mm	5
7016443	1 1/4" x 38 mm	1
0411771	1 1/4" x 40 mm	1



**Profec Hose tail**  
 Connection: female thread x  
 hose tail  
 Material : brass



PART NO.	SIZE	MOQ
0411912	1/2" x 13 mm	10
0411913	1/2" x 20 mm	1
0411918	3/4" x 20 mm	1
0411919	3/4" x 25 mm	1
0411925	1" x 25 mm	10
0411932	1 1/4" x 32 mm	1
0411938	1 1/2" x 38 mm	1



**Profec 2/3 hose tail, type flat seal**  
 Connection: female threaded nut  
 x hose tail  
 Material : brass



PART NO.	SIZE	MOQ
0423340	1/2" x 10 mm	10
0423348	3/4" x 10 mm	1
0423341	3/4" x 13 mm	10
0423346	1" x 13 mm	1
0423342	1" x 20 mm	10
0423343	1 1/4" x 25 mm	1
0423344	1 1/2" x 32 mm	1



**Profec 2/3 hose tail, type flat seal**  
 Connection: female threaded nut  
 x hose tail  
 Material : brass



PART NO.	SIZE	MOQ
0423311	1/2" x 13 mm	1
0423312	3/4" x 20 mm	10
0423313	1" x 25 mm	10
0423314	1 1/4" x 32 mm	1
0423315	1 1/2" x 38 mm	1
0423316	2" x 50 mm	1



**Profec Straight connector**  
 Connection: hose tail  
 Material : brass



PART NO.	SIZE	MOQ
0423851	12,5 mm	1
0423852	19 mm	10
0423853	25 mm	10
0423854	32 mm	1
0423855	38 mm	1



**Profec T-piece 90°**  
 Connection: hose tail  
 Material : brass



PART NO.	SIZE	MOQ
0423864	19 mm	1

# COUPLINGS AND ACCESSORIES

## Plastic, Brass and Stainless Steel Quick Couplers



### Plastic quick coupler with hose tail

Connection : hose tail  
Material : PA glass fibre reinforced  
Coping distance : 40 CD



### Suction pressure coupler

Connection : hose tail  
Material : PA glass fibre reinforced  
Coping distance : 40 CD

PART NO.	SIZE	PRESSURE bar
0422012	13 mm	8
0422018	19 mm	8
0422025	25 mm	8

PART NO.	SIZE	PRESSURE bar
0451401	19 mm	12
0451402	25 mm	12



### Plastic quick coupler with female thread

Connection : female thread  
Material : PA glass fibre reinforced  
Coping distance : 40 CD



### Plastic quick coupler with male thread

Connection : male thread  
Material : PA glass fibre reinforced  
Coping distance : 40 CD

PART NO.	SIZE	PRESSURE bar
0422112	1/2"	8
0422118	3/4"	8
0422125	1"	8

PART NO.	SIZE	PRESSURE bar
0422212	1/2"	8
0422218	3/4"	8
0422225	1"	8



### Plastic end cap coupler

Material : PA glass fibre reinforced  
Coping distance : 40 CD



### Quick coupler with hose tail

Connection : hose tail  
Material : brass  
Coping distance : 40 CD

PART NO.	PRESSURE bar
0422300	8



### Quick coupler with female thread

Connection : female thread  
Material : brass  
Coping distance : 40 CD



PART NO.	SIZE	PRESSURE bar	MOQ
0420112	1/2"	12	10
0420118	3/4"	12	10
0420125	1"	12	10
0420132	1 1/4"	12	10
0420140	1 1/2"	12	1

PART NO.	SIZE	PRESSURE bar	MOQ
0420012	13 mm	12	10
0420016	16 mm	12	10
0420018	19 mm	12	10
0420025	25 mm	12	10
0420032	32 mm	12	10
0420040	40 mm	12	10







### Quick coupler with male thread

Connection : male thread  
Material : brass  
Coping distance : 40 CD



PART NO.	SIZE	PRESSURE bar	MOQ
0420212	1/2"	12	10
0420218	3/4"	12	10
0420225	1"	12	10
0420232	1 1/4"	12	10
0420240	1 1/2"	12	10



### Quick coupler with hose tail

Connection : hose tail  
Material : stainless steel 316  
Coping distance : 40 CD

PART NO.	SIZE	PRESSURE bar
0080831	13 mm	12
0080833	19 mm	12
0080834	25 mm	12
0080835	32 mm	12
0080836	40 mm	12



### Stainless steel quick coupler with male thread

Connection : male thread  
Material : stainless steel 316  
Coping distance : 40 CD

PART NO.	SIZE	PRESSURE bar
0080847	1/2"	12
0080848	3/4"	12
0080849	1"	12
0080850	1 1/4"	12
0080851	1 1/2"	12



### Blind coupler

Material : brass  
Coping distance : 40 CD



PART NO.	PRESSURE bar	MOQ
0420300	12	10



### Seal for quick coupler

Connection : male thread  
Material : brass  
Coping distance : 40 CD



PART NO.	SUITABLE FOR	MATERIAL	COLOUR	MOQ
0420399	all sizes 40 CD	viton	green	10
0420400	all sizes 40 CD	perbunan	black	10
0420401	all sizes 40 CD	NBR	redbrown	5
7019066	all sizes 40 CD	NBR	black	10



### Stainless steel quick coupler with female thread

Connection : female thread  
Material : stainless steel 316  
Coping distance : 40 CD

PART NO.	SIZE	PRESSURE bar
0080838	1/2"	12
0080840	3/4"	12
0080842	1"	12
0080844	1 1/4"	12
0080845	1 1/2"	12



### End cap quick coupler

Material : stainless steel 316  
Coping distance : 40 CD

PART NO.	PRESSURE bar
0080852	12



## COUPLINGS AND ACCESSORIES

Plastic, Brass and Stainless Steel Quick Couplers



Flat ring

PART NO.	SIZE	SUITABLE FOR	MOQ
0411720	18 mm x 13 mm	1/2" female thread	5
0411719	23,5 mm x 13 mm	3/4" female thread	5
0411722	29,5 mm x 13 mm	1" female thread	1
0411724	38,5 mm x 25 mm	1 1/4" female thread	5
0411725	43,5 mm x 33 mm	1 1/2" female thread	5
0411732	55,5 mm x 47,5 mm	2" female thread	5



## Plastic Click Connectors



### Hydro-Fit Click connector

Connection: compression x female click  
 Material : PVC-U  
 Colour : grey/green

PART NO.	SIZE	MOQ
7008340	12 mm	10
7008344	15-19 mm	10



### Hydro-Fit Click connector

Connection: female thread x male click  
 Material : PVC-U  
 Colour : grey

PART NO.	SIZE	MOQ
7008354	1/2"	10
7008361	3/4"	10
7010935	1"	1



### Hydro-Fit Click connector with water stop

Connection: compression x female click  
 Material : PVC-U  
 Colour : grey/green  
 Feature : with waterstop

PART NO.	SIZE	MOQ
7008342	12 mm	10
7008346	15-19 mm	10



### Hydro-Fit Click connector with female reducer

Connection: female thread x male click  
 Material : PVC-U  
 Colour : grey/green

PART NO.	SIZE	MOQ
7008356	1/2-3/4"	10
7008358	3/4-1"	10

# COUPLINGS AND ACCESSORIES



## Sprayer "Gilmour" 571E on cart with hose tail

Connection: female thread/click  
Material : plastic  
Colour : green

PART NO.	SIZE
0451704	3/4"



## Spray gun, type Profi

Connection : female thread  
Material : brass  
Colour : blue  
Sheathing material: EPDM

PART NO.	SIZE	CAPACITY SBAR l/h
7010811	1/2"	1500



## High volume sprayer, type Power

Water spray gun with brass spray nozzle and rubber handle.

Connection : hose tail  
Material : brass

PART NO.	SIZE	CAPACITY l/min
1309701	1"	50



## Spray lance, type 326

With trigger and double handle.

Connection: male thread  
Material : brass/stainless steel

PART NO.	SIZE	LENGTH cm
0451714	1/2"	60



## Jet nozzle with quick coupler

Connection : quick coupler  
Material : brass  
Coping distance: 40 CD

PART NO.	SIZE
0420521	1"

# Spray Pistols, Lances and Accessories



## Lockable jet nozzle for fire hoses

Connection: hose tail  
Material : chrome-plated brass

PART NO.	SIZE
0451734	1/2" x 13 mm
0451735	3/4" x 19 mm
0451736	1" x 25 mm



## RP High-volume sprayer

Very robust water sprayer with continuous variable spray settings.

Connection : hose tail  
Material : brass

PART NO.	SIZE	CAPACITY l/min
1301683	1"	90



## Jet spray, type 125

Connection : quick coupler  
Material : brass  
Coping distance: 40 CD

PART NO.	SIZE
0450112	5 mm
0450118	7 mm
0450125	8 mm



## Spray lance, type 330

Connection: male thread  
Material : brass/stainless steel

PART NO.	SIZE	LENGTH cm
0451715	1/2"	20

## Aluminium Couplers, Storz



### Storz coupling with long hose tail

Connection: hose tail  
Material : aluminium

PART NO.	SIZE	COPING DISTANCE CD	TYPE	PRESSURE bar
0431030	25 mm	31	25D	15
0431032	32 mm	52	38	15
0431040	38 mm	52	38	15
0431045	38 mm	66	52C	15
0431050	50 mm	66	52C	15
0431055	50 mm	81	65	15
0431063	63 mm	81	65	15
0431077	63 mm	89	75B	15
0431074	75 mm	81	65	15
0431075	75 mm	89	75B	15
0431080	100 mm	115	100	15
0431090	100 mm	133	110A	15
0431095	110 mm	133	110A	15
0431100	152 mm	160	150	15



### Storz coupling with female thread

Connection: female thread  
Material : aluminium

PART NO.	SIZE	COPING DISTANCE CD	TYPE	PRESSURE bar
0431112	1/2"	31	25D	15
0431118	3/4"	31	25D	15
0431130	1"	31	25D	15
0431131	1"	66	52C	15
0431144	1 1/4"	66	52C	15
0431140	1 1/2"	52	38	15
0431145	1 1/2"	66	52C	15
0431150	2"	66	52C	15
0431160	2"	81	65	15
0431173	2"	89	75B	15
0431151	2 1/2"	66	52C	15
0431163	2 1/2"	81	65	15
0431161	2 1/2"	89	75B	15
0431174	3"	81	65	15
0431175	3"	89	75B	15
0431180	4"	115	100	15
0431190	4"	133	110A	15
0431195	5"	148	125	15
0431196	6"	160	150	15



### Storz coupling with short hose tail

Connection: hose tail  
Material : aluminium

PART NO.	SIZE	COPING DISTANCE CD	TYPE	PRESSURE bar
0431049	50 mm	66	52C	15
0431076	75 mm	89	75B	15



### Quick coupler

Connection: hose tail  
Material : aluminium

PART NO.	SIZE	COPING DISTANCE CD	TYPE	PRESSURE bar
7017999	100 mm	115	with clamps for flathose	15
7018000	125 mm	148	with clamps for flathose	15



### Storz connector with male thread

Connection: male thread  
Material : aluminium

PART NO.	SIZE	COPING DISTANCE CD	TYPE	PRESSURE bar
0431230	1"	31	25D	15
0431231	1"	66	52C	15
0431248	1 1/4"	66	52C	15
0431240	1 1/2"	52	38	15
0431249	1 1/2"	66	52C	15
0431250	2"	66	52C	15
0431262	2"	81	65	15
0431260	2"	89	75B	15
0431263	2 1/2"	81	65	15
0431261	2 1/2"	89	75B	15
0431274	3"	81	65	15
0431275	3"	89	75B	15
0431280	4"	115	100	15
0431290	4"	133	110A	15

# COUPLINGS AND ACCESSORIES



**Storz end cap**  
Material: aluminium

PART NO.	COPING DISTANCE CD	TYPE	PRESSURE bar
0431330	31	25D	15
0431340	52	38	15
0431350	66	52C	15
0431363	81	65	15
0431375	89	75B	15
0431380	115	100	15
0431390	133	110A	15
0431376	148	125	15
0431377	160	150	15



**Seal, type Storz**  
Material : NBR  
Type : Storz

PART NO.	COPING DISTANCE CD	TYPE	MOQ
0430429	31	25D	5
0430430	44	32	5
0430440	52	38	5
0430450	66	52C	5
0430463	81	65	1
0430475	89	75B	1
0430480	115	100	1
0430499	133	100A	1



**Flat seal**  
For female threaded Storz adaptors  
Material: NBR  
Colour : black

PART NO.	SIZE	INNER Ø mm	OUTER Ø mm	THICKNESS mm	MOQ
0430424	1 1/2"	41	48	3	5
0430425	2"	47	60	3	5
0430426	2 1/2"	66	76	3	5
0430427	3"	78	88	3	5
0430428	4"	100	113	3	5

## Aluminium Couplers, Storz



**Storz reducer**  
Material: aluminium

PART NO.	COPING DISTANCE CD	COPING DISTANCE CD	TYPE	PRESSURE bar
0431394	66	31	52C-25D	15
0431395	89	66	75B-52C	15
0431396	133	89	110A-75B	15



**Adaptor, type Storz 52C**  
Material: aluminium/brass

PART NO.	COPING DISTANCE CD	COPING DISTANCE CD	TYPE	PRESSURE bar
7003726	40	66	Storz 52C	12



**Storz key**  
Material: cast iron

PART NO.	COPING DISTANCE CD	TYPE
0431025	66-81-89-115-133	52C,75B,110A



DRINKERS

PLASTIC PRESSURE PIPING SYSTEMS

FASTENERS AND ADHESIVES

CLAMPS

METAL VALVES

COUPLINGS AND ACCESSORIES

HOSES

METAL PIPES AND FITTINGS

MEASUREMENT, REGULATION AND FILTRATION

PUMPS, PRESSURE TANKS AND ACCESSORIES

TANKS

CLIMATE



**Storz key**

Material: steel plastic coated

PART NO.	COPING DISTANCE CD	TYPE
0431026	66-89-133-160	Storz



**Hose connector**

Connection: hose tail

Material : aluminium

PART NO.	SIZE
0431001	50 mm
0431002	75 mm

# COUPLINGS AND ACCESSORIES

## Couplers and Pipes, Type Perrot



**Bend 45°**  
 Connection : female part Perrot x male part Perrot  
 Material : steel  
 Surface treatment: galvanised

PART NO.	SIZE
0200213	108 mm
0200215	159 mm



**Bend 90°**  
 Connection : female part Perrot x male part Perrot  
 Material : steel  
 Surface treatment: galvanised

PART NO.	SIZE
0200217	50 mm
0200218	70 mm
0200219	89 mm
0200216	108 mm
0200221	133 mm
0200222	159 mm
0200223	216 mm



**Bend 90°**  
 Connection : female part Perrot x hose tail  
 Material : steel  
 Surface treatment: galvanised

PART NO.	SIZE
0200547	108 mm x 102 mm
0200548	133 mm x 125 mm
0200549	159 mm x 152 mm



**Bend 90°**  
 Connection : male part Perrot x flange MZ  
 Material : steel  
 Surface treatment: galvanised

PART NO.	SIZE
0200827	133 mm x 4"



**Bend 45°**  
 Connection : male part Perrot x flange MZ  
 Material : steel  
 Surface treatment: galvanised

PART NO.	SIZE
0200505	133 mm x 5"
0200506	159 mm x 6"
0200507	216 mm x 8"



**Bend 90°**  
 Connection : male part Perrot x hose tail  
 Material : steel  
 Surface treatment: galvanised

PART NO.	SIZE
0200534	108 mm x 102 mm
0200535	133 mm x 125 mm
0200536	159 mm x 152 mm



**Bend 90°**  
 Connection : female part Perrot x flange MZ  
 Material : steel  
 Surface treatment: galvanised

PART NO.	SIZE
0200551	108 mm x 4"
0200552	133 mm x 5"
0200553	159 mm x 6"



**Bend 90°**  
 Connection : male part Perrot x flange MZ  
 Material : steel  
 Surface treatment: galvanised

PART NO.	SIZE
0200538	108 mm x 4"
0200539	133 mm x 5"
0200540	159 mm x 6"





### Male part with hose tail

Connection : male part  
Perrot x  
hose tail  
Material : steel  
Surface treatment: galvanised



### Female part with hose tail

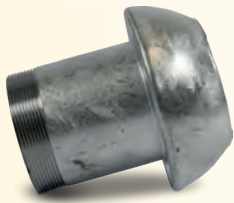
Connection : female part  
Perrot x  
hose tail  
Material : steel  
Surface treatment: galvanised

PART NO.	SIZE
0200340	50 mm x 50 mm
0200341	70 mm x 63 mm
0200342	70 mm x 70 mm
0200343	70 mm x 75 mm
0200344	89 mm x 75 mm
0200345	89 mm x 80 mm
0200346	89 mm x 89 mm
0200347	108 mm x 75 mm
0200348	108 mm x 90 mm
0200349	108 mm x 102 mm
0200350	108 mm x 110 mm
0200355	133 mm x 102 mm
0200357	133 mm x 125 mm
0200359	133 mm x 152 mm
0200360	159 mm x 50 mm
0200362	159 mm x 102 mm
0200363	159 mm x 125 mm
0200365	159 mm x 152 mm
0200366	159 mm x 159 mm
0200367	216 mm x 200 mm

PART NO.	SIZE
0200370	50 mm x 50 mm
0200371	70 mm x 63 mm
0200372	70 mm x 70 mm
0200373	70 mm x 75 mm
0200374	89 mm x 75 mm
0200375	89 mm x 80 mm
0200376	89 mm x 89 mm
0200377	108 mm x 75 mm
0200378	108 mm x 90 mm
0200379	108 mm x 102 mm
0200380	108 mm x 110 mm
0200385	133 mm x 102 mm
0200387	133 mm x 125 mm
0200389	133 mm x 152 mm
0200392	159 mm x 102 mm
0200393	159 mm x 125 mm
0200395	159 mm x 152 mm
0200396	159 mm x 159 mm
0200397	216 mm x 200 mm

# COUPLINGS AND ACCESSORIES

## Couplers and Pipes, Type Perrot



**Male part with male thread**  
 Connection : male part  
 Perrot x male thread  
 Material : steel  
 Surface treatment: galvanised



**Female part**  
 Connection : female part  
 Perrot x male thread  
 Material : steel  
 Surface treatment: galvanised

PART NO.	SIZE
0200308	50 mm x 1 1/2"
0200309	50 mm x 2"
0200311	70 mm x 2"
0200312	70 mm x 2 1/2"
0200313	70 mm x 3"
0200314	89 mm x 2 1/2"
0200315	89 mm x 3"
0200316	108 mm x 2 1/2"
0200317	108 mm x 3"
0200318	108 mm x 4"
0200408	133 mm x 4"
0200320	133 mm x 5"
0200321	159 mm x 2 1/2"
0200409	159 mm x 4"
0200322	159 mm x 6"

PART NO.	SIZE
0200325	50 mm x 1 1/2"
0200326	50 mm x 2"
0200328	70 mm x 2 1/2"
0200329	70 mm x 3"
0200330	89 mm x 2 1/2"
0200331	89 mm x 3"
0200332	108 mm x 2 1/2"
0200333	108 mm x 3"
0200334	108 mm x 4"
0200335	133 mm x 2 1/2"
0200263	133 mm x 4"
0200336	133 mm x 5"
0200337	159 mm x 2 1/2"
0200338	159 mm x 6"
0200403	159 mm x 4"



**Male part with flange**  
 Connection : male part  
 Perrot x flange  
 Material : steel  
 Surface treatment: galvanised



**Female part with flange**  
 Connection : female part  
 Perrot x flange  
 Material : steel  
 Surface treatment: galvanised

PART NO.	SIZE	FLANGE	PCD mm	HOLES
0218510	50 mm x DN50	PN10	125	4
0200610	108 mm x DN100	PN16	180	8
0200611	133 mm x DN125	PN16	210	8
0200612	159 mm x DN150	PN16	240	8
0218513	216 mm x DN200	PN10	295	8

PART NO.	SIZE	FLANGE	PCD mm	HOLES
0218504	108 mm x DN100	PN16	180	8
0218505	133 mm x DN125	PN16	210	8
0218506	159 mm x DN150	PN16	240	8



### Male coupling

Connection : male part  
Perrot x  
flange MZ  
Material : steel  
Surface treatment: galvanised

PART NO.	SIZE
0200595	108 mm x 4"
0200596	133 mm x 5"
0200597	159 mm x 6"
0200598	216 mm x 8"



### Quick connector

Connection : female part  
Perrot x  
flange MZ  
Material : steel  
Surface treatment: galvanised

PART NO.	SIZE
0218517	133 mm x 5"
0218518	159 mm x 6"
0218519	216 mm x 8"



### Male part

Connection : male part  
Perrot x  
welding spigot  
Material : steel  
Surface treatment: galvanised

PART NO.	SIZE
0200281	70 mm x 70 mm
0200283	108 mm x 108 mm
0200284	133 mm x 133 mm
0200285	159 mm x 150 mm
0200286	216 mm x 200 mm



### Female coupling

Connection : female part  
Perrot x  
flange MZ  
Material : steel  
Surface treatment: galvanised

PART NO.	SIZE
0200620	159 mm x 6"
0200621	216 mm x 8"



### Female coupling

Connection : female part  
Perrot x  
flange MZ  
Material : steel  
Surface treatment: galvanised

PART NO.	SIZE
0200615	108 mm x 4"
0200616	133 mm x 5"
0200617	159 mm x 6"



### Quick connector

Connection : female part  
Perrot x  
flange MZ  
Material : steel  
Surface treatment: galvanised

PART NO.	SIZE	TYPE
0218516	159 mm x 6"	short
0218520	216 mm x 8"	short

# COUPLINGS AND ACCESSORIES



**Female part**  
With rubber ring  
Connection : female part  
Perrot x welding spigot  
Material : steel  
Surface treatment: galvanised

PART NO.	SIZE
0200290	108 mm x 108 mm
0200291	133 mm x 133 mm
0200292	159 mm x 150 mm
0200293	216 mm x 200 mm



**Male part end plug**  
Connection : male part  
Perrot  
Material : steel  
Surface treatment: galvanised

PART NO.	SIZE
0200265	50 mm
0200266	70 mm
0200267	89 mm
0200268	108 mm
0200269	133 mm
0200270	159 mm
0200271	216 mm



**Quick coupler with outlet**  
Connection : male part  
Perrot x male thread x flange MZ  
Material : steel  
Surface treatment: galvanised

PART NO.	SIZE
0200599	159 mm x 1 1/2" x 6"
0200600	159 mm x 2" x 6"
0200601	159 mm x 2 1/2" x 6"
0200602	216 mm x 2 1/2" x 8"

## Couplers and Pipes, Type Perrot



**Quick coupler with PVC connection**  
Connection : male part  
Perrot x spigot  
Material : steel  
Surface treatment: galvanised

PART NO.	SIZE
0200646	159 mm x 160 mm



**Quick coupler with PVC connection**  
Connection : female part  
Perrot x spigot  
Material : steel  
Surface treatment: galvanised

PART NO.	SIZE
0200656	159 mm x 160 mm



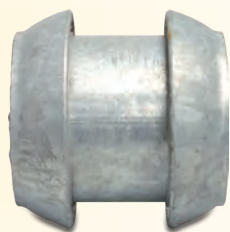
**Female part end plug**  
Connection : female part  
Perrot  
Material : steel  
Surface treatment: galvanised

PART NO.	SIZE
0200272	50 mm
0200273	70 mm
0200274	89 mm
0200275	108 mm
0200276	133 mm
0200277	159 mm
0200278	216 mm



**T-piece**  
Connection : male part Perrot x flange MZ x flange MZ  
Material : steel  
Surface treatment: galvanised

PART NO.	SIZE
0200613	159 mm x 6" x 6"
0200609	216 mm x 6" x 8"



### Reversing coupler

Connection : male part  
Perrot  
Material : steel  
Surface treatment: galvanised

PART NO.	SIZE
0290092	108 mm
0290093	159 mm



### Spreader nozzle

Material: rubber

PART NO.	SIZE
0200882	120 mm
0200883	133 mm
0200885	160 mm



### Perrot slurry distributor

Consisting of: male coupling with frame, rubber nozzle, hose clamp, baffle plate 240 mm.

Connection : male part  
Perrot  
Material : steel  
Surface treatment: galvanised

PART NO.	SIZE
0200785	108 mm
0200786	133 mm
0200787	159 mm



### Perrot slurry distributor

Consisting of: female coupling with frame, rubber nozzle, hose clamp, baffle plate 240 mm

Connection : female part  
Perrot  
Material : steel  
Surface treatment: galvanised

PART NO.	SIZE
0200788	108 mm
0200789	133 mm
0200790	159 mm



### Exakt distributor

Not sensitive to wind, as spray pattern height = distributor plate height. Consisting of rubber nozzle, hose clamp, EXAKT distributor plate.

Connection : male part  
Perrot  
Material : steel  
Surface treatment: galvanised

PART NO.	SIZE
0200800	108 mm
0200801	133 mm
0200802	159 mm



### Exakt distributor

Not sensitive to wind, as spray pattern height = distributor plate height. Consisting of rubber nozzle, hose clamp, EXAKT distributor plate.

Connection : female part  
Perrot  
Material : steel  
Surface treatment: galvanised

PART NO.	SIZE
0200803	108 mm
0200804	133 mm
0200805	159 mm



# COUPLINGS AND ACCESSORIES

## Couplers and Pipes, Type Perrot



**Exakt distributor female Perrot with spray protection plate**

Connection : female part Perrot  
 Material : steel  
 Surface treatment: galvanised

PART NO.	SIZE
0200900	159 mm



**Exakt Baffle plate**

PART NO.	SIZE
0220196	



**Exakt Distributor baffle plate with splashprotection plate**

Material : steel  
 Surface treatment: galvanised

PART NO.	SIZE
0200907	

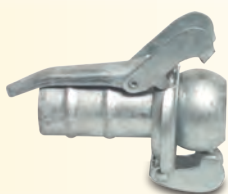


**Female coupler DIN with flange and eyelet**

Connection : female part Perrot x DIN flange  
 Material : steel  
 Surface treatment: galvanised

PART NO.	SIZE
0218397	159 mm x DN150

## Couplers and Pipes, Type Bauer



### Male part with hose tail, type S77

Connection : male part  
Bauer x hose tail

Material : steel

Surface treatment: galvanised

PART NO.	SIZE
0220430	50 mm x 50 mm
0220431	76 mm x 63 mm
0220432	76 mm x 75 mm
0220433	89 mm x 75 mm
0220434	89 mm x 89 mm
0220435	108 mm x 102 mm
0220436	133 mm x 125 mm
0220437	159 mm x 152 mm
0220438	194 mm x 200 mm



### Female part with hose tail, type S78

Connection : female part  
Bauer x hose tail

Material : steel

Surface treatment: galvanised

PART NO.	SIZE
0220440	50 mm x 50 mm
0220441	76 mm x 63 mm
0220442	76 mm x 75 mm
0220443	89 mm x 75 mm
0220444	89 mm x 89 mm
0220445	108 mm x 102 mm
0220446	133 mm x 125 mm
0220447	159 mm x 152 mm
0220448	194 mm x 200 mm



### Male part with male thread, type S74

Connection : male part  
Bauer x male thread

Material : steel

Surface treatment: galvanised

PART NO.	SIZE	LENGTH mm
0220410	50 mm x 1 1/2"	200
0220411	50 mm x 2"	200
0220412	76 mm x 2 1/2"	280
0220413	76 mm x 3"	280
0220414	89 mm x 3"	310
0220415	108 mm x 4"	310
0220416	133 mm x 5"	350
0220417	159 mm x 6"	360



### Female part with male thread, type S75

Connection : female part  
Bauer x male thread

Material : steel

Surface treatment: galvanised

PART NO.	SIZE
0220420	50 mm x 1 1/2"
0220421	50 mm x 2"
0220422	76 mm x 2 1/2"
0220423	76 mm x 3"
0220424	89 mm x 3"
0220425	108 mm x 4"
0220426	133 mm x 5"
0220427	159 mm x 6"



### Male part with flange, type S70

Connection : male part  
Bauer x flange

Material : steel

Surface treatment: galvanised

PART NO.	SIZE	FLANGE	PCD mm	HOLES
0220250	89 mm x DN80	PN10	160	4
0220251	108 mm x DN100	PN10	180	4
0220252	108 mm x DN150	PN10	240	8
0220244	159 mm x DN150	PN10	240	8



### Female part with flange, type S73

Connection : female part  
Bauer x flange

Material : steel

Surface treatment: galvanised

PART NO.	SIZE	FLANGE	PCD mm	HOLES
0220246	89 mm x DN80	PN10	160	4
0220247	108 mm x DN100	PN10	180	4
0220248	108 mm x DN150	PN10	240	8
0220243	159 mm x DN150	PN10	240	8

# COUPLINGS AND ACCESSORIES

## Couplers and Pipes, Type Bauer



**Male part with MZ flange**  
 Connection : male part  
                   Bauer x flange  
                   MZ  
 Material : steel  
 Surface treatment: galvanised

PART NO.	SIZE
0220486	159 mm x 6"



**Female part with MZ flange**  
 Connection : female part  
                   Bauer x flange  
                   MZ  
 Material : steel  
 Surface treatment: galvanised

PART NO.	SIZE
0220487	159 mm x 6"



**Bend 45°, type S12**  
 Connection : female part  
                   Bauer x male  
                   part Bauer  
 Material : steel  
 Surface treatment: galvanised

PART NO.	SIZE
7024113	108 mm
7024114	133 mm
7024115	159 mm
7024116	194 mm



**End cap coupler, type S8**  
 Connection : female part  
                   Bauer  
 Material : steel  
 Surface treatment: galvanised

PART NO.	SIZE
0220367	89 mm
0220368	108 mm
0220369	133 mm
0220370	159 mm



**End cap coupler, male part, type S9**  
 Connection : male part  
                   Bauer  
 Material : steel  
 Surface treatment: galvanised

PART NO.	SIZE
0220377	89 mm
0220378	108 mm
0220379	133 mm
0220380	159 mm

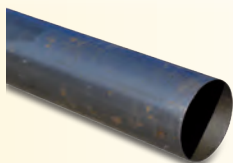


**Quick connector**  
 Connection : male part  
                   Bauer x flange  
                   MZ  
 Material : steel  
 Surface treatment: galvanised

PART NO.	SIZE
7024058	159 mm x 6"



## Slurry Couplers and Fittings

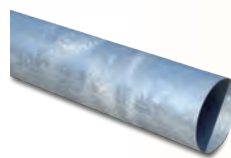


### Suction pipe, type flush cut

Connection: plain  
Material : steel



PART NO.	SIZE	LENGTH m	WALL THICK- NESS mm
0220541	100 mm	6	2
0220542	108 mm	6	2
0220539	125 mm	6	2
0220545	133 mm	6	2
0220546	150 mm	6	2
0220547	159 mm	6	2
0220548	200 mm	6	2

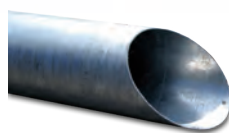


### Suction pipe, type flush cut

Connection : plain  
Material : steel  
Surface treatment: galvanised



PART NO.	SIZE	LENGTH m	WALL THICK- NESS mm
0220714	100 mm	6	1,2
7017089	150 mm	6	1,5



### Suction pipe, flush cut - angle cut

Connection : plain  
Material : steel  
Surface treatment: galvanised



### Bend 90°

Connection: butt welding  
Material : steel



PART NO.	SIZE	WALL THICKNESS mm
0200604	100 mm	2
0200605	120 mm	2
0200606	150 mm	2
0220616	200 mm	2

PART NO.	SIZE	LENGTH m	WALL THICK- NESS mm
7017087	150 mm	2	1,5
7017088	150 mm	3	1,5



### Hose tail

Connection: butt welding x  
hose tail  
Material : steel



PART NO.	SIZE
0200700	100 mm x 102 mm
0200701	110 mm
0200703	125 mm
0200704	133 mm
0200705	150 mm x 152 mm
0200706	159 mm
0200707	200 mm



### Reducer

Connection: welding spigot  
Material : steel



PART NO.	SIZE	WALL THICKNESS mm
0200709	50 mm x 100 mm	2
0200710	100 mm x 159 mm	2



### Weld nipple

Connection: male thread x  
butt welding  
Material : steel



PART NO.	SIZE	LENGTH cm
0220209	4" x 114,3 mm	7
0220210	5" x 139,7 mm	7
0220211	6" x 168,3 mm	7

# COUPLINGS AND ACCESSORIES



## Weld nipple

Connection: male thread x  
butt welding  
Material : steel



PART NO.	SIZE	LENGTH cm
0200572	4" x 114,3 mm	15
0200573	5" x 139,7 mm	15
0200574	6" x 168,3 mm	15



## End piece with eye

Connection : hose tail  
Material : steel  
Surface treatment: galvanised



PART NO.	SIZE
0200760	100 mm
0200761	110 mm
0200763	152 mm
0200764	200 mm
0200762	125 mm



## MZ flange

Connection: flange MZ x butt  
welding  
Material : steel



PART NO.	SIZE	HOLES	BOLT HOLE mm	HOLE SPACING mm
0200580	4"	4	13	150 x 150
0200581	5"	4	13	150 x 150
0200582	6"	4	13	150 x 150
0200583	8"	4	13	180 x 180

# Slurry Couplers and Fittings



## Double hose tail

Connection : hose tail  
Material : steel  
Surface treatment: galvanised



PART NO.	SIZE
0200943	100 mm
0200942	125 mm
0200941	150 mm



## Double hose tail

Connection: hose tail  
Material : stainless steel



PART NO.	SIZE
0221019	100 mm
0221022	125 mm
0221025	150 mm



## Bend 90°

Connection : hose tail  
Material : steel  
Surface treatment: galvanised



PART NO.	SIZE
0200568	102 mm
0200569	125 mm
0200570	152 mm



## Blanking MZ flange

Connection : flange MZ  
Material : steel  
Surface treatment: galvanised



PART NO.	SIZE	HOLES	BOLT HOLE mm	HOLE SPACING mm
0200586	4-5-6"	4	13	150 x 150
0200587	8"	4	13	180 x 180



### Flange gasket

Colour : black  
Material: SBR



PART NO.	SIZE
0200588	4-5-6"
0200589	8"

### PVC Stub flange machined

Next to the connection dimensions (Size and PCD) for the backing rings and stub flanges we show the inner-hole size of the backing flange and the pipe size from the stub flange. For backing rings, the inner hole size is given in column Inner Ø. For stub flanges, the pipe size is given in column Outer Ø.

Connection: glue socket  
Material : PVC-U



PART NO.	SIZE	DN	OUTER Ø mm	PRESSURE bar
0190050	160 mm	150	187	10
0190052	200 mm	175	228	10

### Backing flange, round

Next to the connection dimensions (Size and PCD) for the backing rings and stub flanges we show the inner-hole size of the backing flange and the pipe size from the stub flange. For backing rings, the inner hole size is given in column Inner Ø. For stub flanges, the pipe size is given in column Outer Ø.

Material : steel  
Surface treatment: galvanised



PART NO.	SIZE	INNER Ø mm
0200660	110 mm x 4"	134
0200662	140 mm x 5"	166
0200663	160 mm x 6"	190
0200664	200 mm x 8"	232

# COUPLINGS AND ACCESSORIES

## Slurry Couplers and Fittings



**Stub flange**  
 Connection: glue spigot  
 Material : PVC



PART NO.	SIZE
0200627	125 mm
0200629	160 mm
0200630	200 mm



**Flange piece with flange ring**  
 Connection: flange MZ x  
 glue socket  
 Material : PVC/steel



PART NO.	SIZE
0200625	6" x 160 mm



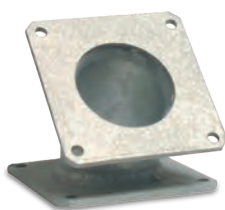
### Backing flange, type MZ square

Next to the connection dimensions (Size and PCD) for the backing rings and stub flanges we show the inner-hole size of the backing flange and the pipe size from the stub flange. For backing rings, the inner hole size is given in column Inner Ø. For stub flanges, the pipe size is given in column Outer Ø.



Material : steel  
 Surface treatment: galvanised

PART NO.	SIZE	INNER Ø mm
0200634	5"	150
0200635	6"	162
0200636	8"	202



**Bend 45°**  
 Connection : flange MZ  
 Material : steel  
 Surface treatment: galvanised



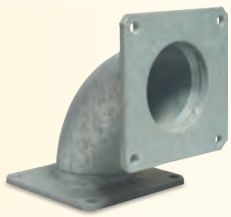
PART NO.	SIZE
0200523	6"
0200524	8"



**Bend 45°**  
 Connection : flange MZ x  
 hose tail  
 Material : steel  
 Surface treatment: galvanised



PART NO.	SIZE
0200525	4" x 100 mm
0200526	5" x 125 mm
0200527	6" x 150 mm
0200528	8" x 200 mm



### Bend 90°

Connection : flange MZ  
 Material : steel  
 Surface treatment: galvanised



PART NO.	SIZE
0200562	6"
0200563	8"



### Bend 90°

Connection : flange MZ x hose tail  
 Material : steel  
 Surface treatment: galvanised



PART NO.	SIZE
0200555	4" x 102 mm
0200556	5" x 125 mm
0200557	6" x 152 mm
0200558	8" x 200 mm



### MZ flange hose tail

Connection : flange MZ x hose tail  
 Material : steel  
 Surface treatment: galvanised



PART NO.	SIZE	HOLES	BOLT HOLE mm	HOLE SPACING mm
0200712	4" x 102 mm	4	13	150 x 150
0200713	5" x 125 mm	4	13	150 x 150
0200714	6" x 152 mm	4	13	150 x 150
0200715	6" x 159 mm	4	13	150 x 150
0200716	8" x 200 mm	4	13	180 x 180

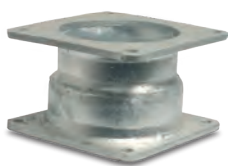


### MZ flange

Connection : flange MZ x male thread  
 Material : steel  
 Surface treatment: galvanised



PART NO.	SIZE	HOLES	BOLT HOLE mm	HOLE SPACING mm
0200576	4"	4	13	150 x 150
0200577	5"	4	13	150 x 150
0200578	6"	4	13	150 x 150



### Reducer flange

Connection : flange MZ  
 Material : steel  
 Surface treatment: galvanised



PART NO.	SIZE
0200680	5" x 6"
0200681	6" x 8"



### MZ flange, with welding rim

Connection: flange MZ x butt welding  
 Material : steel



PART NO.	SIZE	HOLES	BOLT HOLE mm	HOLE SPACING mm
0200591	5" x 133 mm	4	13	150 x 150
0200592	6" x 150 mm	4	13	150 x 150
0200593	8" x 200 mm	4	13	180 x 180



### MZ flange x DIN flange

Connection : flange MZ x DIN flange  
 Material : steel  
 Surface treatment: galvanised



PART NO.	SIZE	FLANGE	PCD mm	HOLES
0200683	6" x DN150	PN10/16	240	8
0200684	6" x DN200	PN10	295	8
0200688	8" x DN200	PN10	295	8

# COUPLINGS AND ACCESSORIES



## T-piece

Connection : flange MZ  
Material : steel  
Surface treatment: galvanised



PART NO.	SIZE
0200722	6"
0200723	8"
0200724	8" x 6" x 8"



## Wall bushing

Connection : flange MZ  
Material : steel  
Surface treatment: galvanised



PART NO.	SIZE	LENGTH mm
0200671	6"	300
0200672	6"	500
0200674	6"	1000
0200675	8"	300



## Operating valve

Connection: male part Perrot x ball valve female x flange MZ  
Material : steel



PART NO.	SIZE
0200775	159 mm x 2" x 6"



## T-piece 90° with S/S manual operated valve

Connection: glue socket  
Operation : lever  
Material : PVC-U



PART NO.	SIZE
0200734	110 mm
0200735	125 mm
0200736	140 mm
0200737	160 mm

# Slurry Couplers and Fittings



## T-piece 90°

Connection : flange MZ x male thread x flange MZ  
Material : steel  
Surface treatment: galvanised



PART NO.	SIZE
0200667	6" x 2" x 6"
0200669	8" x 2 1/2" x 8"



## Y-piece

Connection : flange MZ  
Material : steel  
Surface treatment: galvanised



PART NO.	SIZE
0200730	6"



## 3-way distributor

Connection: male part Perrot x glue socket x glue socket  
Material : steel



PART NO.	SIZE
0200778	159 mm x 160 mm x 160 mm
0200791	216 mm x 200 mm x 200 mm



## Operating valve with brace

Connection: male part Perrot x ball valve female x flange MZ  
Material : steel



PART NO.	SIZE
0200776	216 mm x 2 1/2" x 8"



DRINKERS

PLASTIC PRESSURE  
PIPING SYSTEMS

FASTENERS AND  
ADHESIVES

CLAMPS

METAL VALVES

COUPLINGS AND  
ACCESSORIES

HOSES

METAL PIPES AND  
FITTINGS

MEASUREMENT, REGULATION  
AND FILTRATION

PUMPS, PRESSURE TANKS  
AND ACCESSORIES

TANKS

CLIMATE







DRINKERS

PLASTIC PRESSURE  
PIPING SYSTEMS

FASTENERS AND  
ADHESIVES

CLAMPS

METAL VALVES

COUPLINGS AND  
ACCESSORIES

**HOSES**

METAL PIPES AND  
FITTINGS

MEASUREMENT, REGULATION  
AND FILTRATION

PUMPS, PRESSURE TANKS  
AND ACCESSORIES

TANKS

CLIMATE

# HOSES

PVC Garden Hoses

Rubber Hoses

Suction Hoses

Rubber Suction Hoses

Flat Hoses and Fire Fighting Hoses

# HOSES

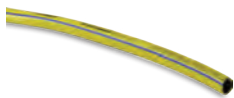
## PVC Garden Hoses



- Mega Hose, type Megaflex**
- 3 layers
  - Tricot Trevira Hoechst inlays
  - Cadmium & Barium free
  - UV resistant

Material : PVC  
 Colour : yellow  
 Max. temp.: 60 °C

PART NO.	INNER Ø mm	PRESSURE bar	LENGTH m
0500362	12,5	8	25
0500364	12,5	8	50
0500368	15	8	25
0500370	15	8	50
0500374	19	6	25
0500376	19	6	50
0500379	25	6	25
0500381	25	6	50



**Torsino hose, NTS (No Torsion System)**

Advanced manufacturing provides a knot free kink resistant flexible PVC braided hose.

- 4 inlays
- NTS Trevira Hoechst inlays
- Non toxic
- Cadmium & barium free
- UV resistance
- No algae

Material : PVC  
 Colour : yellow  
 Max. temp.: 60 °C

PART NO.	INNER Ø mm	PRESSURE bar	LENGTH m
0500298	12,5	10	25
0500300	12,5	10	50
0500301	12,5	10	100
0500310	19	8	25
0500312	19	8	50
0500313	19	8	100
0500316	25	7	25
0500318	25	7	50
0500319	25	7	100
0500385	30	6	25
0500386	30	6	50

### Tricoflex hose with polyester inlay

Standard yellow PVC braided watering hose. Barium and cadmium free.

Material : PVC  
Colour : yellow  
Max. temp.: 60 °C



PART NO.	INNER Ø mm	PRESSURE bar	LENGTH m
0501009	12,5	10	20
0501010	12,5	10	25
0501011	12,5	10	30
0501012	12,5	10	50
0501013	12,5	10	100
0501014	15	10	25
0501015	15	10	50
0501017	20	9	25
0501018	20	9	50
0501019	20	9	100
0501024	25	8	25
0501025	25	8	50
0501026	25	8	100
0501031	30	8	25
0501032	30	8	50
0501033	30	8	100
0501035	35	8	50
0501039	40	8	25
0501040	40	8	50
0501041	40	8	100
0501050	50	8	25
0501051	50	8	50

### Mega pressure hose, type Megapress 20

This is a flexible hose with polyester inlay that can be used as an air or spray hose. UV resistant.

Material : PVC  
Colour : beige  
Temperature range: -15°C - 60°C



PART NO.	INNER Ø mm	OUTER Ø mm	LENGTH m
0500905	6,3	11,0	50
0500907	8	13,0	50
0500910	10	15,5	50
0500912	12,7	19,0	50
0500918	19	27,0	50
0500925	25	34,0	50

# HOSES

## PVC Garden Hoses



### High pressure hose, type Profiltress 40 bar

This hose has a hard wearing outer layer with strong nylon inlays whilst remaining very flexible. Suitable for industry, agriculture and horticulture.

Material : PVC  
Colour : blue  
Max. temp. : 60 °C  
Pressure : 40 bar

PART NO.	INNER Ø mm	OUTER Ø mm	LENGTH m
0530200	6,3	12,5	50
0530203	8	14	50
0530204	8	14	100
0530205	9	16	50
0530208	10	16	50
0530210	10	16	100
0530211	12	20	50
0530212	12	20	100
0530216	16	24	50
0530218	19	28	50
0530219	19	28	100
7009135	25	35	25
0530225	25	35	50



### High pressure hose, type Profiltress 40 bar

Material : PVC  
Colour : black  
Max. temp. : 60 °C  
Pressure : 40 bar

PART NO.	INNER Ø mm	OUTER Ø mm	LENGTH m
0530231	10	17	100
0530233	12	20	50
0530236	19	28	50
0530238	25	35	50

## Rubber Hoses

### Water hose, type Jumbo

Material : EPDM  
 Colour : black/red  
 Temperature range: -40°C - 125°C

PART NO.	INNER Ø mm	OUTER Ø mm	PRESSURE bar	LENGTH m
0502356	13	19	15	40
0502357	19	27	15	40
0502358	25	37	15	40



### Rubber multiservice hose, type Python

Antistatic, colour resistant (also after a lot of years) and non-staining (does not leave tracks).  
 Has a very good UV resistance.  
 Suitable for cold and warm water and light chemical products.  
 Known by its suppleness due to its special compound!

Material : EPDM  
 Colour : green  
 Temperature range: -40°C - 110°C

PART NO.	INNER Ø mm	OUTER Ø mm	PRESSURE bar	LENGTH m
0502360	13	20	10	40
0502362	19	27	10	40
0502363	25	34	10	40
0502364	32	44	10	40
0502365	38	52	10	40
0502368	50	65	10	40



### Hydro-S Rubber water hose

Material : rubber  
 Colour : red/black  
 Max. temp.: 80 °C

PART NO.	INNER Ø mm	OUTER Ø mm	PRESSURE bar	LENGTH m
0501213	13	19.5	6	50
0501219	19	27	6	50
0501226	25	33	6	50



**hydro-s**

# HOSES

## Rubber Hoses



### Rubber water hose for industry, type Megacord 10HD

Inside is smooth.

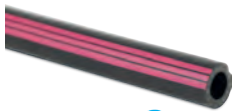
Outside is with canvas print, with wire cloth inlays.

Material : SBR

Colour : black

Max. temp.: 80 °C

PART NO.	INNER Ø mm	OUTER Ø mm	PRESSURE bar	LENGTH m
0510325	25	35	10	40
0510326	28	38	10	40
0510332	32	43	10	40
0510333	38	50	10	40
0510335	42	55	10	40
0510350	50	65	10	40
0510360	60	76	10	40



### Mega Hose, type 5-Star

Mega 5-Star is the best multipurpose rubber hose for all applications in construction and cleaning for the best price quality level on professional bases offered. This hose is the the value for money alternative to the Contitech Trix Rotstrahl and Euro Trix which you can also find in our range.

Material : EPDM

Colour : black/red

Temperature range: -30°C - 100°C

PART NO.	INNER Ø mm	OUTER Ø mm	WALL THICK- NESS mm	BENDING RADIUS mm	PRESSURE bar	LENGTH m
7019377	13	21,0	4,0	130	20	20
7019378	13	21,0	4,0	130	20	40
7019379	13	21,0	4,0	130	20	80
7019380	19	28,0	4,5	130	20	20
7019381	19	28,0	4,5	130	20	40
7019382	19	28,0	4,5	130	20	80
7019383	25	34,6	4,8	130	20	40

### Continental Hose, type Euro-Trix

This hose is highly flexible, twist free, robust and easy to handle. Ideal for a wide range of applications in industry, construction, farming and municipal facilities. The hose lining is resistant to hot water and chemicals. The hose cover is resistant to ozone and UV irradiation.

Material : EPDM  
Colour : black/orange  
Temperature range: -20°C - 100°C

PART NO.	INNER Ø mm	OUTER Ø mm	WALL THICK-NESS mm	BENDING RADIUS mm	PRESSURE bar	LENGTH m
7019028	13	20,0	3,5	50	15	40
7019029	19	27,0	4,0	70	15	40
7019030	25	34,0	4,5	120	15	40



Continental ContiTech

### Continental Hose, type Gold Snake

The high-grade water- and cleaning hose is a trademarked article of highest quality. Gold Snake® is the right hose for ambitious applications. Hose can be steamed up to 130°C (max 30 min.)

Material : EPDM  
Colour : black/yellow  
Temperature range: -20°C - 100°C

PART NO.	INNER Ø mm	OUTER Ø mm	WALL THICK-NESS mm	BENDING RADIUS mm	PRESSURE bar	LENGTH m
7019031	13	20,8	3,9	50	30	40
7019032	19	27,8	4,4	80	25	40
7019033	25	34,0	4,5	160	20	40
7019034	32	43,0	5,5	175	12	40
7019035	38	51,0	6,5	250	12	40
7019036	50	65,0	7,5	300	10	40



Continental ContiTech

### Continental Hose, type Trix-Rotstrahl

Trix Rotstrahl® is the water hose for use in industry, local authorities, construction and civil engineering, landscape gardening, agriculture and many other applications. Thanks to its design and construction it is highly flexible and robust, ozone- and weather-resistant. Reinforcement; synthetic fibres.

Material : EPDM  
Colour : black/red  
Temperature range: -40°C - 100°C

PART NO.	INNER Ø mm	OUTER Ø mm	WALL THICK-NESS mm	BENDING RADIUS mm	PRESSURE bar	LENGTH m
7019037	13	19,6	3,3	50	20	40
7019038	19	27,0	4,0	65	20	40
7019039	25	34,0	4,5	110	20	40
7019040	32	43,0	5,5	170	15	40
7019041	38	50,0	6,0	200	15	40
7019042	50	64,0	7,0	300	10	40



Continental ContiTech

# HOSES

## Suction Hoses



### Spiral suction hose, Multi-Purpose

This Multi-Purpose hose maintains more flexibility in cold temperatures than GMDS

Material : PVC  
 Colour : bright green  
 Vacuum : 0.65 bar  
 Temperature range: -5°C - 60°C

PART NO.	INNER Ø mm	OUTER Ø mm	BENDING RADIUS mm	PRESSURE bar	LENGTH m
0520011	13	17,6	52	10	25
0520012	13	17,6	52	10	50
0520017	19	24,8	76	8	25
0520018	19	24,8	76	8	50
0520024	25	31,0	100	6	25
0520025	25	31,0	100	6	50
0520031	32	38,0	128	6	25
0520032	32	38,0	128	6	50
0520037	38	44,6	152	6	25
0520038	38	44,6	152	6	50
0520040	40	46,6	160	5,5	50
0520050	51	58,0	200	5	25
0520051	51	58,0	200	5	50
0520060	60	67,2	240	5	50
0520063	63	70,6	252	5	25
0520064	63	70,6	252	5	50
0520075	76	84,4	300	4	25
0520076	76	84,4	300	4	50
0520090	90	99,3	375	4	50
0520098	102	112,0	459	4	25
0520099	102	112,0	459	4	50



### Mega Spiral suction hose, type Multi-Purpose S.E.

Light and flexible. Specially for slurry distribution

Material : PVC  
 Colour : transparent  
 Vacuum : 0.65 bar  
 Temperature range: -5°C - 60°C

PART NO.	INNER Ø mm	OUTER Ø mm	BENDING RADIUS mm	PRESSURE bar	LENGTH m
0520377	38	44,6	133	5	50
0520378	40	46,6	140	5	50
0520379	45	51,6	158	5	50
0520380	51	57,6	175	5	50



## Mega Spiral suction hose, Medium Duty

Economic All Rounder

Material : PVC  
 Colour : green  
 Vacuum : 0.7 bar  
 Temperature range: -5°C - 60°C

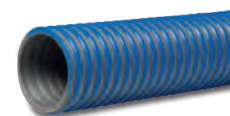


PART NO.	INNER Ø mm	BENDING RADIUS mm	PRESSURE bar	LENGTH m
0520320	25	110	6	30
0520321	32	140	6	30
0520322	38	160	5	30
0520323	51	220	5	30
0520325	63	270	4	30
0520326	76	320	4	30
0520327	102	430	3	30

## Mega Spiral suction hose, type Agriflex

Heavy Duty

Material : PVC  
 Colour : blue/grey  
 Temperature range: -20°C - 50°C



PART NO.	INNER Ø mm	OUTER Ø mm	BENDING RADIUS mm	PRESSURE bar	VACUUM bar	LENGTH m
7006734	25	33,4	115	6	0.9	25
7006735	32	40,8	130	5	0.9	25
7006736	38	47,4	140	5	0.9	25
7006737	40	49,8	160	4	0.9	25
7006738	51	61,2	200	4	0.9	25
7006739	60	71,4	250	4	0.9	25
7006740	63	74,4	275	4	0.9	25
7006741	76	89,4	310	3,5	0.9	25
7006742	80	93,8	320	3,5	0.9	25
7006743	90	104,4	375	3	0.8	25
7011781	102	116,6	410	3	0.8	6
7006744	102	116,6	410	3	0.8	25
7006745	110	125,0	450	3	0.8	25
7011782	127	142,8	520	2,5	0.7	6
7006747	127	142,8	520	2,5	0.7	25
7006748	152	169,0	610	2	0.7	4
7006749	152	169,0	610	2	0.7	5
7006750	152	169,0	610	2	0.7	6
7006751	152	169,0	610	2	0.7	20
7007453	160	176,0	650	2	0.7	20
7006752	203	221,2	815	2	0.6	6

# HOSES

## Suction Hoses



### Mega Spiral suction hose, type Agriflex

Material : PVC  
 Colour : blue/grey  
 Temperature range: -20°C - 50°C

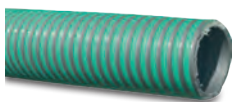
PART NO.	INNER Ø mm	CONNECTION	PRESSURE bar	LENGTH m
7015816	152	male part Perrot x female part Perrot	2	4
7015817	152	male part Perrot x female part Perrot	2	5
7015818	152	male part Perrot x female part Perrot	2	6



### Mega Spiral suction hose, type Agriflex

Material : PVC  
 Colour : blue/grey  
 Temperature range: -20°C - 50°C

PART NO.	INNER Ø mm	CONNECTION	PRESSURE bar	LENGTH m
7015819	152	male part Perrot x end piece with eye	2	4
7015820	152	male part Perrot x end piece with eye	2	5
7015821	152	male part Perrot x end piece with eye	2	6



### Merlett Spiral suction hose, type Arizona

Material : PVC  
 Colour : green/grey  
 Temperature range: -25°C - 55°C

PART NO.	INNER Ø mm	BENDING RADIUS mm	PRESSURE bar	LENGTH m
0520215	50	200	5	50
0520216	60	240	4,5	50
0520218	75	300	3,5	30
0520219	80	320	3,5	30
0520220	90	360	3,5	30
0520221	102	400	3	30
0520222	110	440	3	20
0520224	127	510	3	20
0520227	152	610	2	20
0520231	204	800	2	10

### Mega Spiral suction hose, type Polar

Heavy Duty. The ultimate hose for low temperatures.

Material : PVC  
 Colour : grey  
 Temperature range: -30°C - 50°C



PART NO.	INNER Ø mm	BENDING RADIUS mm	PRESSURE bar	LENGTH m
7006958	51	185	4	30
7006961	63	240	4	50
7006962	76	275	3,5	30
7006963	80	285	3,5	50
7006964	90	330	3	30
7006970	152	605	2,5	25
7006965	102	365	3	30
7006966	127	510	2,5	25

### Mega Suction and pressure hose, type Megasteel

Material : PVC/steel  
 Colour : transparent  
 Temperature range: -5°C - 50°C



PART NO.	INNER Ø mm	BENDING RADIUS mm	PRESSURE bar	VACUUM bar	LENGTH m
7006712	19	50	6	0.9	50
7006713	25	60	5	0.9	50
7006714	32	75	4	0.9	50
7006716	40	95	3	0.9	30
7006717	51	125	3	0.8	30
7006718	60	135	2	0.7	30
7006719	63	150	2	0.7	30
7006720	76	195	2	0.7	30
7006723	102	300	2	0.6	30
7006887	38	90	4	0.9	30
7006888	152	460	2	0.6	20

### Mega Suction and pressure hose, type Heavy-Flex Black

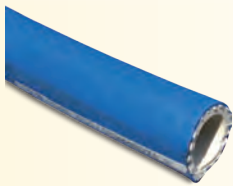
Material : PVC/steel  
 Colour : black/blue  
 Temperature range: -5°C - 60°C



PART NO.	SIZE	PRESSURE bar	VACUUM bar	LENGTH m
7025527	25 mm	12	0.9	50
7025528	32 mm	12	0.9	30

# HOSES

## Suction Hoses



 **MERLETT**

### Merlett Suction and pressure hose, type Vacupress Food

Material: rubber

Colour : blue

PART NO.	INNER Ø mm	BENDING RADIUS mm	PRESSURE bar	LENGTH m
0590027	38	100	10	30

## Rubber Suction Hoses



### Suction and pressure hose

Without sockets, smooth inside and outside, reinforced with steel wire.

Material : rubber

Colour : black

Temperature range: -20°C - 80°C

Pressure : 10 bar  
6 bar

PART NO.	INNER Ø mm	OUTER Ø mm	BENDING RADIUS mm	LENGTH m
0520880	50	62	175	40
0520881	60	74	215	40
0520882	65	79	230	40
0520884	75	89	260	40
0520885	80	94	280	40
0520886	90	104	315	40
0520887	102	118	360	40
0520888	110	128	385	30
0520889	127	147	445	20
0520891	152	172	550	20

# Flat Hoses and Fire Fighting Hoses

## Mega Flat hose, type Medium Duty

Material: PVC

Colour : blue



PART NO.	INNER Ø mm	OUTER Ø mm	PRESSURE bar	LENGTH m
7006675	20	23,7	10	100
7006676	25	28,7	10	100
7006677	32	35,6	9	100
7006678	38	41,7	8	100
7006679	51	54,8	8	50
7006680	51	54,8	8	100
7006681	63	67,2	8	50
7006684	76	80,3	7	100
7006685	90	94,6	7	50
7006687	102	106,6	7	50
7006690	127	132,0	6	50
7006693	152	157,3	4	100
7006683	76	80,3	7	50
7006686	90	94,6	7	100
7006688	102	106,6	7	100
7006691	127	132,0	6	100
7006692	152	157,3	4	50
7006654	203	208,6	2,5	50

## Mega Construction and industrial hose fitted with Storz couplers

Internal: rubberised EPDM.

External: natural-white.

Material : EPDM/polyester

Colour : white

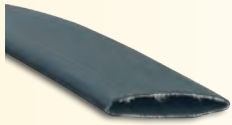
Pressure: 10 bar



PART NO.	INNER Ø mm	COPING DISTANCE CD	TYPE	LENGTH m
0503014	52	66	52C	5
0503009	52	66	52C	10
0503010	52	66	52C	15
0503011	52	66	52C	20
0503012	52	66	52C	30
0503013	75	89	75B	10
0503015	75	89	75B	15
0503016	75	89	75B	20
0503017	75	89	75B	30
0503019	100	133	110A	10
0503020	100	133	110A	15
0503021	100	133	110A	20
0503022	100	133	110A	30
7022011	100	115	110A	15

# HOSES

## Flat Hoses and Fire Fighting Hoses

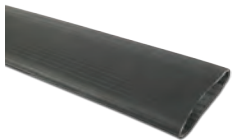


### Flat hose, type Flextex

High performance rubber flat hose.

Material : rubber  
 Colour : black  
 Temperature range: -20°C - 70°C

PART NO.	INNER Ø mm	TENSILE STRENGTH kg	PRESSURE bar	LENGTH m
0504610	51	4700	20	100
0504614	76	8100	16	100
0504616	102	9100	11	100
0504618	127	10200	10	100



### Flat hose, type Oneflex

NBR Flat hose in 51mm up to 204mm, with inlay, used in industrial and agricultural irrigation, with high wear and tear resistance. Known as feeder hose to irrigation reels.

This hose has a tensile strength of 4,000 up to 20,000 kg and a bursting pressure of 30 bar up to 50 bar. It is used for working temperatures ranging from minus 20 up to 80°C.

Material : NBR  
 Colour : black  
 Temperature range: -20°C - 80°C

PART NO.	SIZE	WALL THICKNESS mm	PRESSURE bar	LENGTH m
7027614	51 mm	2.1	16	100
7027444	76 mm	2.4	16	100
7027445	102 mm	2.8	10	100
7027615	110 mm	2.8	10	100
7027616	125 mm	2.8	10	100
7027617	152 mm	2.9	10	100
7027618	204 mm	3.2	10	60



DRINKERS

PLASTIC PRESSURE  
PIPING SYSTEMS

FASTENERS AND  
ADHESIVES

CLAMPS

METAL VALVES

COUPLINGS AND  
ACCESSORIES

HOSES

METAL PIPES AND  
FITTINGS

MEASUREMENT, REGULATION  
AND FILTRATION

PUMPS, PRESSURE TANKS  
AND ACCESSORIES

TANKS

CLIMATE







## **METAL PIPES AND FITTINGS**

- Galvanised Malleable Threaded Fittings and Steel Pipes
- Black Malleable Threaded Fittings and Steel Welding Fittings
- Galvanised and Black Steel Flanges
- Rubber Expansion Joints
- Stainless Steel 316 Threaded Fittings
- Stainless Steel 304 Threaded Fittings
- Stainless Steel Flanges and Welding Fittings

DRINKERS

PLASTIC PRESSURE  
PIPING SYSTEMS

FASTENERS AND  
ADHESIVES

CLAMPS

METAL VALVES

COUPLINGS AND  
ACCESSORIES

HOSES

**METAL PIPES AND  
FITTINGS**

MEASUREMENT, REGULATION  
AND FILTRATION

PUMPS, PRESSURE TANKS  
AND ACCESSORIES

TANKS

CLIMATE

# METAL PIPES AND FITTINGS

## Galvanised Malleable Threaded Fittings and Steel Pipes



### Galvanised pipe

Connection : male thread x female threaded socket  
 Material : steel  
 Surface treatment: galvanised  
 Norm : EN 10255-M (DIN 2440)  
 Approval : KIWA/GASTEC

PART NO.	SIZE	WALL THICKNESS mm	PRESSURE bar	LENGTH m
1000012	1/2"	2,6	50	6
1000018	3/4"	2,6	50	6
1000025	1"	3,2	50	6
1000032	1 1/4"	3,2	50	6
1000040	1 1/2"	3,2	50	6
1000050	2"	3,6	50	6
1000063	2 1/2"	3,6	50	6
1000075	3"	4,0	50	6
1000099	4"	4,5	50	6



### Profec Bend 90°

Connection : female thread x male thread  
 Material : cast iron  
 Surface treatment: galvanised



### Profec Bend 90°

Connection : female thread x male thread  
 Material : cast iron  
 Surface treatment: galvanised

PART NO.	SIZE	MOQ
1000102	1/4"	10
1000103	3/8"	10
1000104	1/2"	10
1000105	3/4"	10
1000106	1"	10
1000107	1 1/4"	1
1000108	1 1/2"	1
1000109	2"	1
1000110	2 1/2"	1
1000111	3"	1
1000112	4"	1

PART NO.	SIZE	MOQ
1000121	1/2"	10
1000122	3/4"	10
1000123	1"	1
1000124	1 1/4"	1
1000125	1 1/2"	1
1000126	2"	1



### Profec Bend 90°

Connection : female thread  
 Material : cast iron  
 Surface treatment: galvanised



PART NO.	SIZE	MOQ
1000202	1/4"	10
1000203	3/8"	10
1000204	1/2"	10
1000205	3/4"	1
1000206	1"	10
1000207	1 1/4"	1
1000208	1 1/2"	1
1000209	2"	1
1000210	2 1/2"	1
1000211	3"	1
1000212	4"	1



### Profec Bend 90°

Connection : female thread  
 Material : cast iron  
 Surface treatment: galvanised



PART NO.	SIZE	MOQ
1000221	1/2"	10
1000222	3/4"	10
1000223	1"	1
1000224	1 1/4"	1
1000225	1 1/2"	1
1000226	2"	1



### Profec Bend 90°

Connection : male thread  
 Material : cast iron  
 Surface treatment: galvanised



PART NO.	SIZE	MOQ
1000303	3/8"	10
1000304	1/2"	1
1000305	3/4"	1
1000306	1"	1
1000307	1 1/4"	1
1000308	1 1/2"	1
1000309	2"	1



### Profec Bend 45°

Connection : female thread  
 x male thread  
 Material : cast iron  
 Surface treatment: galvanised



PART NO.	SIZE	MOQ
1004001	1/4"	10
1004002	3/8"	10
1004003	1/2"	10
1004004	3/4"	1
1004005	1"	1
1004006	1 1/4"	1
1004007	1 1/2"	1
1004008	2"	1
1004009	2 1/2"	1
1004010	3"	1
1004011	4"	1



### Profec Bend 45°

Connection : female thread  
 Material : cast iron  
 Surface treatment: galvanised



PART NO.	SIZE	MOQ
1004103	1/2"	1
1004104	3/4"	1
1004105	1"	1
1004106	1 1/4"	1
1004107	1 1/2"	1
1004108	2"	1
1004109	2 1/2"	1
1004110	3"	1

# METAL PIPES AND FITTINGS



## Profec Elbow 90°

Connection : female thread  
Material : cast iron  
Surface treatment: galvanized



# Galvanised Malleable Threaded Fittings and Steel Pipes



## Profec Elbow 90°

Connection : female thread x male thread  
Material : cast iron  
Surface treatment: galvanized



PART NO.	SIZE	MOQ
1009001	1/8"	10
1009002	1/4"	10
1009003	3/8"	10
1009016	1/2" x 1/4"	280
1009017	1/2" x 3/8"	10
1009004	1/2"	10
1009020	3/4" x 1/2"	10
1009005	3/4"	10
1009021	1" x 1/2"	10
1009022	1" x 3/4"	10
1009006	1"	10
1009025	1 1/4" x 1"	1
1009007	1 1/4"	1
1009026	1 1/2" x 1"	1
1009027	1 1/2" x 1 1/4"	1
1009008	1 1/2"	1
1009028	2" x 1"	1
1009029	2" x 1 1/4"	30
1009030	2" x 1 1/2"	1
1009009	2"	1
1009010	2 1/2"	1
1009011	3"	1
1009012	4"	1

PART NO.	SIZE	MOQ
1009201	1/8"	10
1009202	1/4"	10
1009203	3/8"	10
1009204	1/2"	10
1009213	1/2" x 3/8"	10
1009214	3/4" x 3/8"	10
1009215	3/4" x 1/2"	10
1009205	3/4"	10
1009216	1" x 3/4"	10
1009206	1"	10
1009218	1 1/4" x 1"	1
1009207	1 1/4"	1
1009208	1 1/2"	1
1009209	2"	1
1009210	2 1/2"	1
1009211	3"	1
1009222	4"	1



## Profec Union elbow 90°, type conical

Connection : female thread  
Material : cast iron  
Surface treatment: galvanized



PART NO.	SIZE	PACKAGING pcs	
1009602	3/8"	100	100
1009603	1/2"	10	80
1009604	3/4"	10	60
1009605	1"	10	40
1009606	1 1/4"	1	20
1009607	1 1/2"	1	15
1009608	2"	1	10
1009609	2 1/2"	1	4
1009610	3"	1	2



**Profec Union elbow 90°, type conical**

Connection : female thread  
x male thread  
Material : cast iron  
Surface treatment: galvanised



PART NO.	SIZE	PACKAGING	
		pcs	
1009802	3/8"	100	100
1009803	1/2"	10	70
1009804	3/4"	10	60
1009805	1"	10	30
1009806	1 1/4"	1	20
1009807	1 1/2"	1	15
1009808	2"	1	8
1009809	2 1/2"	1	5
1009810	3"	1	2



**Profec Elbow 45°**

Connection : female thread  
Material : cast iron  
Surface treatment: galvanised



PART NO.	SIZE	MOQ
1012004	1/2"	10
1012005	3/4"	10
1012006	1"	10
1012007	1 1/4"	1
1012008	1 1/2"	1
1012009	2"	1
1012011	3"	1



**Profec Elbow 45°**

Connection : female thread  
x male thread  
Material : cast iron  
Surface treatment: galvanised



PART NO.	SIZE	MOQ
1012103	3/8"	10
1012104	1/2"	10
1012105	3/4"	10
1012106	1"	10
1012107	1 1/4"	1
1012108	1 1/2"	1
1012109	2"	1

# METAL PIPES AND FITTINGS



## Profec T-piece

Connection : female thread  
Material : cast iron  
Surface treatment: galvanized



PART NO.	SIZE	MOQ
1013001	1/8"	10
1013002	1/4"	10
1013003	3/8"	10
1013015	1/2" x 1/4" x 1/2"	10
1013016	1/2" x 3/8" x 1/2"	10
1013004	1/2"	10
1013017	1/2" x 3/4" x 1/2"	10
1013018	1/2" x 1" x 1/2"	80
1013057	3/4" x 1/2" x 1/2"	10
1013021	3/4" x 1/2" x 3/4"	10
1013059	3/4" x 3/4" x 1/2"	10
1013022	3/4" x 1" x 3/4"	10
1013005	3/4"	10
1013024	1" x 1/4" x 1"	10
1013025	1" x 3/8" x 1"	80
1013061	1" x 1/2" x 1/2"	10
1013026	1" x 1/2" x 1"	10
1013027	1" x 3/4" x 1"	10
1013065	1" x 1" x 1/2"	10
1013066	1" x 1" x 3/4"	10
1013006	1"	10
1013028	1" x 1 1/4" x 1"	1
1013031	1 1/4" x 1/2" x 1 1/4"	1
1013069	1 1/4" x 3/4" x 1"	40
1013032	1 1/4" x 3/4" x 1 1/4"	1
1013071	1 1/4" x 1" x 1"	1
1013074	1 1/4" x 1 1/4" x 1"	1
1013033	1 1/4" x 1" x 1 1/4"	1
1013007	1 1/4"	1
1013036	1 1/2" x 1/2" x 1 1/2"	1
1013037	1 1/2" x 3/4" x 1 1/2"	1
1013038	1 1/2" x 1" x 1 1/2"	1
1013039	1 1/2" x 1 1/4" x 1 1/2"	1
1013040	1 1/2" x 2" x 1 1/2"	20
1013008	1 1/2"	1
1013041	2" x 1/2" x 2"	1
1013042	2" x 3/4" x 2"	1
1013043	2" x 1" x 2"	1
1013044	2" x 1 1/4" x 2"	1
1013045	2" x 1 1/2" x 2"	1
1013009	2"	1
1013047	2 1/2" x 1" x 2 1/2"	1
1013048	2 1/2" x 1 1/2" x 2 1/2"	1
1013049	2 1/2" x 2" x 2 1/2"	1
1013010	2 1/2"	1

# Galvanised Malleable Threaded Fittings and Steel Pipes



## Profec T-piece

Connection : female thread  
Material : cast iron  
Surface treatment: galvanized



PART NO.	SIZE	PACKAGING pcs	
1013050	3" x 1" x 3"	1	6
1013051	3" x 1 1/2" x 3"	1	6
1013052	3" x 2" x 3"	1	6
1013053	3" x 2 1/2" x 3"	1	6
1013011	3"	1	6
1013095	4" x 4" x 2"		
1013097	4" x 4" x 2 1/2"		
1013096	4" x 4" x 3"		
1013012	4"	1	3



## Profec Cross

Connection : female thread  
Material : cast iron  
Surface treatment: galvanized



PART NO.	SIZE	PACKAGING pcs	
1018001	1/4"	10	250
1018002	3/8"	10	150
1018003	1/2"	10	100
1018004	3/4"	10	60
1018005	1"	10	40
1018006	1 1/4"	1	20
1018007	1 1/2"	1	15
1018008	2"	1	10
1018009	2 1/2"	1	7
1018010	3"	1	4
1018011	4"	1	2



### Profec Side outlet elbow

Connection : female thread  
 Material : cast iron  
 Surface treatment: galvanised



PART NO.	SIZE	PACKAGING pcs	
1022102	1/2"	10	140
1022103	3/4"	10	80
1022104	1"	10	40



### Profec Seal

Material: NBR



PART NO.	SIZE	MOQ
1022904	1/2"	10
1022905	3/4"	10
1022906	1"	10
1022907	1 1/4"	10
1022908	1 1/2"	10
1022909	2"	1
1022910	2 1/2"	1
1022911	3"	1



### Profec Reducing socket

Connection : female thread  
 Material : cast iron  
 Surface treatment: galvanised



PART NO.	SIZE	MOQ
1024001	1/4" x 1/8"	10
1024002	3/8" x 1/8"	10
1024003	3/8" x 1/4"	10
1024005	1/2" x 1/4"	10
1024006	1/2" x 3/8"	10
1024007	3/4" x 1/4"	10
1024008	3/4" x 3/8"	10
1024009	3/4" x 1/2"	10
1024010	1" x 3/8"	10
1024011	1" x 1/2"	10
1024012	1" x 3/4"	10
1024014	1 1/4" x 1/2"	1
1024015	1 1/4" x 3/4"	1
1024016	1 1/4" x 1"	1
1024017	1 1/2" x 1/2"	1
1024018	1 1/2" x 3/4"	1
1024019	1 1/2" x 1"	1
1024020	1 1/2" x 1 1/4"	1
1024021	2" x 1/2"	1
1024022	2" x 3/4"	1
1024023	2" x 1"	1
1024024	2" x 1 1/4"	1
1024025	2" x 1 1/2"	1
1024026	2 1/2" x 1 1/4"	20
1024027	2 1/2" x 1 1/2"	1
1024028	2 1/2" x 2"	1
1024029	3" x 1 1/2"	1
1024030	3" x 2"	1
1024031	3" x 2 1/2"	1
1024032	4" x 2"	1
1024033	4" x 2 1/2"	1
1024034	4" x 3"	1

# METAL PIPES AND FITTINGS



## Profec Reducing bush

Connection : male thread x female thread  
Material : cast iron  
Surface treatment: galvanised



# Galvanised Malleable Threaded Fittings and Steel Pipes



## Profec Reducing nipple

Connection : male thread  
Material : cast iron  
Surface treatment: galvanised



PART NO.	SIZE	MOQ
1024101	1/4" x 1/8"	10
1024102	3/8" x 1/8"	10
1024103	3/8" x 1/4"	10
1024104	1/2" x 1/8"	10
1024105	1/2" x 1/4"	10
1024106	1/2" x 3/8"	10
1024108	3/4" x 1/4"	10
1024109	3/4" x 3/8"	10
1024110	3/4" x 1/2"	10
1024111	1" x 1/4"	10
1024112	1" x 3/8"	10
1024113	1" x 1/2"	10
1024114	1" x 3/4"	10
1024115	1 1/4" x 3/8"	1
1024116	1 1/4" x 1/2"	1
1024117	1 1/4" x 3/4"	1
1024118	1 1/4" x 1"	10
1024119	1 1/2" x 3/8"	1
1024120	1 1/2" x 1/2"	1
1024121	1 1/2" x 3/4"	1
1024122	1 1/2" x 1"	1
1024123	1 1/2" x 1 1/4"	1
1024124	2" x 1/2"	1
1024125	2" x 3/4"	1
1024126	2" x 1"	1
1024127	2" x 1 1/4"	1
1024128	2" x 1 1/2"	1
1024129	2 1/2" x 1"	1
1024130	2 1/2" x 1 1/4"	1
1024131	2 1/2" x 1 1/2"	1
1024132	2 1/2" x 2"	1
1024133	3" x 1"	1
1024134	3" x 1 1/4"	1
1024135	3" x 1 1/2"	1
1024136	3" x 2"	1
1024137	3" x 2 1/2"	1
1024141	4" x 2"	1
1024138	4" x 2 1/2"	1
1024139	4" x 3"	1

PART NO.	SIZE	MOQ
1024501	1/4" x 1/8"	10
1024502	3/8" x 1/8"	10
1024503	3/8" x 1/4"	10
1024504	1/2" x 1/4"	10
1024505	1/2" x 3/8"	10
1024506	3/4" x 1/4"	10
1024507	3/4" x 3/8"	10
1024508	3/4" x 1/2"	10
1024511	1" x 1/2"	10
1024512	1" x 3/4"	10
1024513	1 1/4" x 1/2"	1
1024514	1 1/4" x 3/4"	1
1024515	1 1/4" x 1"	1
1024516	1 1/2" x 3/4"	1
1024517	1 1/2" x 1"	1
1024518	1 1/2" x 1 1/4"	1
1024519	2" x 1"	1
1024520	2" x 1 1/4"	1
1024521	2" x 1 1/2"	1
1024522	2 1/2" x 1 1/2"	1
1024523	2 1/2" x 2"	1
1024524	3" x 2"	1
1024525	3" x 2 1/2"	1
1024526	4" x 3"	1





### Profec Nipple socket

Connection : female thread  
x male thread  
Material : cast iron  
Surface treatment: galvanised



PART NO.	SIZE	MOQ
1024601	1/4" x 1/8"	1
1024602	3/8" x 1/4"	10
1024603	1/2" x 1/4"	10
1024604	1/2" x 3/8"	10
1024605	3/4" x 3/8"	10
1024606	3/4" x 1/2"	10
1024608	1" x 1/2"	10
1024609	1" x 3/4"	10
1024611	1 1/4" x 1/2"	1
1024612	1 1/4" x 3/4"	1
1024613	1 1/4" x 1"	1
1024614	1 1/2" x 3/4"	1
1024615	1 1/2" x 1"	1
1024616	1 1/2" x 1 1/4"	1
1024617	2" x 1"	1
1024618	2" x 1 1/4"	1
1024619	2" x 1 1/2"	1
1024622	2 1/2" x 2"	1



### Profec Socket

Connection : female thread  
Material : cast iron  
Surface treatment: galvanised



PART NO.	SIZE	MOQ
1027001	1/8"	10
1027002	1/4"	10
1027003	3/8"	10
1027004	1/2"	10
1027005	3/4"	10
1027006	1"	10
1027007	1 1/4"	1
1027008	1 1/2"	1
1027009	2"	1
1027010	2 1/2"	1
1027011	3"	1
1027012	4"	1



### Profec Nipple

Connection : male thread  
Material : cast iron  
Surface treatment: galvanised



PART NO.	SIZE	MOQ
1028001	1/8"	10
1028002	1/4"	10
1028003	3/8"	10
1028004	1/2"	10
1028005	3/4"	10
1028006	1"	10
1028007	1 1/4"	1
1028008	1 1/2"	1
1028009	2"	1
1028010	2 1/2"	1
1028011	3"	1
1028012	4"	1

# METAL PIPES AND FITTINGS

## Galvanised Malleable Threaded Fittings and Steel Pipes



### Profec Plug

Connection : male thread  
Material : cast iron  
Surface treatment: galvanised



### Profec Cap

Connection : female thread  
Material : cast iron  
Surface treatment: galvanised



PART NO.	SIZE	MOQ
1029001	1/8"	10
1029002	1/4"	10
1029003	3/8"	10
1029004	1/2"	10
1029005	3/4"	10
1029006	1"	10
1029007	1 1/4"	1
1029008	1 1/2"	1
1029009	2"	1
1029010	2 1/2"	1
1029011	3"	1
1029012	4"	1

PART NO.	SIZE	MOQ
1030001	1/8"	10
1030002	1/4"	10
1030003	3/8"	10
1030004	1/2"	10
1030005	3/4"	10
1030006	1"	10
1030007	1 1/4"	1
1030008	1 1/2"	1
1030009	2"	1
1030010	2 1/2"	1
1030011	3"	1
1030012	4"	1



### Profec Cap

Connection : female thread  
Material : cast iron  
Surface treatment: galvanised



### Profec Back nut

Connection : female thread  
Material : cast iron  
Surface treatment: galvanised



PART NO.	SIZE	MOQ
1030102	1/4"	10
1030103	3/8"	10
1030104	1/2"	10
1030105	3/4"	10
1030106	1"	10
1030107	1 1/4"	1
1030108	1 1/2"	1
1030109	2"	1
1030110	2 1/2"	1
1030111	3"	1
1030112	4"	1

PART NO.	SIZE	MOQ
1031202	3/8"	10
1031203	1/2"	10
1031204	3/4"	10
1031205	1"	10
1031206	1 1/4"	1
1031207	1 1/2"	1
1031208	2"	1



**Profec Union coupler, type flat**  
 Connection : female thread  
 Material : cast iron  
 Surface treatment: galvanised



PART NO.	SIZE	PACKAGING pcs	
1033004	1/2"	10	100
1033005	3/4"	10	80
1033006	1"	10	60
1033007	1 1/4"	1	40
1033008	1 1/2"	1	30
1033009	2"	1	15
1033010	2 1/2"	1	12
1033011	3"	1	6
1033012	4"		



**Profec Union coupler, type flat**  
 Connection : female thread  
                   x male thread  
 Material : cast iron  
 Surface treatment: galvanised



PART NO.	SIZE	PACKAGING pcs	
1033104	1/2"	10	90
1033105	3/4"	10	60
1033106	1"	10	40
1033107	1 1/4"	1	30
1033108	1 1/2"	1	20
1033109	2"	1	10
1033110	2 1/2"	1	8
1033111	3"	1	5



**Profec Union coupler, type conical**  
 Conical seal.  
 Connection : female thread  
 Material : cast iron  
 Surface treatment: galvanised



PART NO.	SIZE	PACKAGING pcs	
1034002	1/4"	10	200
1034003	3/8"	10	150
1034004	1/2"	10	110
1034005	3/4"	10	80
1034006	1"	10	60
1034007	1 1/4"	1	40
1034008	1 1/2"	1	25
1034009	2"	1	15
1034010	2 1/2"	1	12
1034011	3"	1	6
1034012	4"	1	4



**Profec Union coupler, type conical**  
 Conical seal  
 Connection : female thread  
                   x male thread  
 Material : cast iron  
 Surface treatment: galvanised



PART NO.	SIZE	PACKAGING pcs	
1034101	1/4"	10	150
1034102	3/8"	10	150
1034103	1/2"	10	90
1034104	3/4"	10	70
1034105	1"	10	50
1034106	1 1/4"	1	30
1034107	1 1/2"	1	20
1034108	2"	1	10
1034109	2 1/2"	1	8
1034110	3"	1	5
1034111	4"	1	2

# METAL PIPES AND FITTINGS



## Profec Deck elbow 90°

Connection : female thread  
 Material : cast iron  
 Surface treatment: galvanised



PART NO.	SIZE	PACKAGING pcs	
1047101	1/2"	10	80
1047102	3/4"	10	50
1047103	1"	10	30



## Heavy barrel nipples, standard weight

Length tolerance  $\pm 8\%$

Connection : male thread  
 Material : steel  
 Surface treatment: galvanised  
 Type : BS1387



PART NO.	SIZE	LENGTH mm	MOQ
1053007	1 1/2"	70	1
1053009	2 1/2"	89	1
1053010	3"	102	1
1053011	4"	114	1

# Galvanised Malleable Threaded Fittings and Steel Pipes

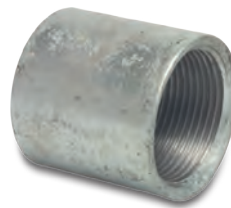


## Profec Socket nipple

Connection : female thread  
 : x male thread  
 Material : cast iron  
 Surface treatment: galvanised



PART NO.	SIZE	MOQ
1052952	1/2"	10
1052953	3/4"	10
1052954	1"	10
1052955	1 1/4"	1
1052956	1 1/2"	1
1052957	2"	1



## Profec Nr. 16 - Socket

Connection : female thread  
 DIN Standard : DIN 2986  
 Material : steel  
 Surface treatment: galvanised



PART NO.	SIZE	MOQ
1071006	1/4"	10
1071009	3/8"	10
1071012	1/2"	10
1071018	3/4"	1
1071025	1"	1
1071032	1 1/4"	1
1071040	1 1/2"	1
1071050	2"	1
1071063	2 1/2"	1
1071075	3"	1
1071100	4"	1
1071133	5"	1
1071159	6"	1



### Profec Nr. 23 - Pipe nipple

Connection : male thread

Material : steel

Surface treatment: galvanised



PART NO.	SIZE	LENGTH mm	MOQ
1060004	1/8"	40	10
1060006	1/8"	60	10
1060008	1/8"	80	10
1060010	1/8"	100	1
1060015	1/8"	150	1
1060040	1/4"	40	10
1060060	1/4"	60	10
1060080	1/4"	80	10
1060100	1/4"	100	1
1060150	1/4"	150	1
1060200	1/4"	200	1
1061040	3/8"	40	10
1061060	3/8"	60	10
1061080	3/8"	80	10
1061100	3/8"	100	1
7011498	3/8"	120	10
1061150	3/8"	150	1
1061200	3/8"	200	1
1062040	1/2"	40	10
1062050	1/2"	50	1
1062060	1/2"	60	10
1062080	1/2"	80	10

PART NO.	SIZE	LENGTH mm	MOQ
1062100	1/2"	100	10
1062120	1/2"	120	1
1062150	1/2"	150	1
1062180	1/2"	180	1
1062200	1/2"	200	1
1062250	1/2"	250	1
1062300	1/2"	300	1
7017013	1/2"	350	10
1062400	1/2"	400	1
7017014	1/2"	450	10
1062500	1/2"	500	1
7017015	1/2"	550	10
1062600	1/2"	600	1
7026999	1/2"	650	100
7027000	1/2"	750	100
1062800	1/2"	800	1
7027001	1/2"	850	100
7027002	1/2"	950	100
1062900	1/2"	1000	1
7027003	1/2"	1050	100
1062901	1/2"	1500	1
1062902	1/2"	2000	1

# METAL PIPES AND FITTINGS

## Galvanised Malleable Threaded Fittings and Steel Pipes



### Profec Nr. 23 - Pipe nipple

Connection : male thread

Material : steel

Surface treatment: galvanised



PART NO.	SIZE	LENGTH mm	MOQ
1063040	3/4"	40	10
1063050	3/4"	50	1
1063060	3/4"	60	10
1063080	3/4"	80	10
1063100	3/4"	100	1
1063120	3/4"	120	1
1063150	3/4"	150	1
1063180	3/4"	180	1
1063200	3/4"	200	1
1063250	3/4"	250	1
1063300	3/4"	300	1
7027004	3/4"	350	100
1063400	3/4"	400	1
7017018	3/4"	450	10
1063500	3/4"	500	1
7017019	3/4"	550	10
1063600	3/4"	600	1
7027005	3/4"	650	100
7027006	3/4"	750	100
1063800	3/4"	800	1
7027007	3/4"	850	100
7027008	3/4"	950	100
1063900	3/4"	1000	1

PART NO.	SIZE	LENGTH mm	MOQ
7027009	3/4"	1050	100
1063901	3/4"	1500	1
1063902	3/4"	2000	1
1064039	1"	30	10
1064040	1"	40	10
1064050	1"	50	1
1064060	1"	60	10
1064080	1"	80	1
1064100	1"	100	1
1064120	1"	120	1
1064150	1"	150	1
1064180	1"	180	1
1064200	1"	200	1
1064250	1"	250	1
1064300	1"	300	1
1064400	1"	400	1
7017022	1"	450	1
1064500	1"	500	1
7017023	1"	550	1
1064600	1"	600	1
1064900	1"	1000	1
1064901	1"	1500	1
1064902	1"	2000	1



### Profec Nr. 23 - Pipe nipple

Connection : male thread

Material : steel

Surface treatment: galvanised



PART NO.	SIZE	LENGTH mm	PACKAGING pcs	
1069060	3"	60	1	24
1069080	3"	80	1	16
1069100	3"	100	1	12
1069120	3"	120	1	8
1069150	3"	150	1	8
1069200	3"	200	1	6
1069250	3"	250	1	3

PART NO.	SIZE	LENGTH mm	PACKAGING pcs	
1069300	3"	300	1	3
1070060	4"	60	1	15
1070100	4"	100	1	6
1070150	4"	150	1	5
1070200	4"	200	1	3
1070250	4"	250	1	2
1070300	4"	300	1	2



### Profec Nr. 23 - Pipe nipple

Connection : male thread

Material : steel

Surface treatment: galvanised



PART NO.	SIZE	LENGTH mm	PACKAGING pcs	
1065040	1 1/4"	40	1	100
1065060	1 1/4"	60	1	80
1065080	1 1/4"	80	1	80
1065100	1 1/4"	100	1	70
1065120	1 1/4"	120	1	70
1065150	1 1/4"	150	1	50
1065180	1 1/4"	180	1	30
1065200	1 1/4"	200	1	30
1065250	1 1/4"	250	1	25
1065300	1 1/4"	300	1	25
1065400	1 1/4"	400	1	5
1065500	1 1/4"	500	1	5
1065900	1 1/4"	1000	1	5
1065902	1 1/4"	2000	1	5
1066040	1 1/2"	40	1	100
1066060	1 1/2"	60	1	90
1066080	1 1/2"	80	1	65
1066100	1 1/2"	100	1	48
1066120	1 1/2"	120	1	40
1066150	1 1/2"	150	1	40
1066200	1 1/2"	200	1	24
1066250	1 1/2"	250	1	20
1066300	1 1/2"	300	1	20

PART NO.	SIZE	LENGTH mm	PACKAGING pcs	
1066400	1 1/2"	400	1	10
1066901	1 1/2"	1500	5	5
1066902	1 1/2"	2000	5	5
1067040	2"	40	1	80
1067060	2"	60	1	60
1067080	2"	80	1	44
1067100	2"	100	1	36
1067120	2"	120	1	24
1067150	2"	150	1	24
1067180	2"	180	1	15
1067200	2"	200	1	15
1067250	2"	250	1	12
1067300	2"	300	1	12
1067500	2"	500	1	5
1067601	2"	1000	1	5
1067602	2"	1500	3	3
1068060	2 1/2"	60	1	36
1068080	2 1/2"	80	1	24
1068100	2 1/2"	100	1	21
1068150	2 1/2"	150	1	12
1068180	2 1/2"	180	8	8
1068200	2 1/2"	200	1	8
1068300	2 1/2"	300	1	6



## METAL PIPES AND FITTINGS

## Black Malleable Threaded Fittings and Steel Welding Fittings



### Profec Nr. 16 - Socket

Connection : female thread  
 Material : steel  
 DIN Standard: DIN 2986



### Welding bend 90°, DIN 2605

Connection : butt welding  
 Material : steel  
 DIN Standard: DIN 2605  
 Norm : 3S

PART NO.	SIZE	MOQ
1171005	1/8"	10
1171006	1/4"	10
1171009	3/8"	10
1171012	1/2"	10
1171018	3/4"	10
1171025	1"	10
1171032	1 1/4"	1
1171040	1 1/2"	1
1171050	2"	1
1171063	2 1/2"	1
1171075	3"	1
1171100	4"	1
1171133	5"	1
1171159	6"	1

PART NO.	SIZE	WALL THICK-NESS mm	PACKAGING pcs	
1180012	21,3 mm	2,0	100	1
1180018	26,9 mm	2,3	100	1
1180025	33,7 mm	2,6	100	1
1180032	42,4 mm	2,6	50	1
1180040	48,3 mm	2,6	60	1
1180050	60,3 mm	2,9	25	25
1180063	76,1 mm	2,9	25	25
1180075	88,9 mm	3,2	20	20
1180089	101,6 mm	3,6	15	1
1180100	114,3 mm	3,6	12	1
1180108	108,0 mm	3,6	12	1
1180133	133,0 mm	4,0	8	1
1180139	139,7 mm	4,0	7	1
1180159	159,0 mm	4,5	6	6
1180190	193,7 mm	5,6	16	1
1180160	219,1 mm	6,3	1	1





### Welding bend 45°

Connection : butt welding  
Material : steel  
DIN Standard: DIN 2605  
Norm : 3S



### Reducing weld cone, DIN 2616

Connection : butt welding  
Material : steel  
DIN Standard: DIN 2616

PART NO.	SIZE	WALL THICKNESS mm	PACKAGING pcs	
1180004	48,3 mm	2,6	100	100
1180005	60,3 mm	2,9	100	100
1180007	88,9 mm	3,2	100	100
1180008	114,3 mm	3,6	100	100

PART NO.	SIZE	WALL THICKNESS mm
1180411	26,9 mm x 21,3 mm	2,3
7015757	33,7 mm x 21,3 mm	2,6
1180412	33,7 mm x 26,9 mm	2,6
1180416	42,4 mm x 21,3 mm	2,6
1180415	42,4 mm x 26,9 mm	2,6
1180414	42,4 mm x 33,7 mm	2,6
7015784	48,3 mm x 21,3 mm	2,6
7015783	48,3 mm x 26,9 mm	2,6
7015758	48,3 mm x 33,7 mm	2,6
1180417	48,3 mm x 42,4 mm	2,6
7015788	60,3 mm x 26,9 mm	2,9
7015787	60,3 mm x 33,7 mm	2,9
7015786	60,3 mm x 42,4 mm	2,9
7015785	60,3 mm x 48,3 mm	2,9
1180320	60,3 mm x 48,3 mm	2,9
1180322	76,1 mm x 57,0 mm	2,9
1180324	76,1 mm x 42,4 mm	2,9
1180321	76,1 mm x 60,3 mm	2,9
1180331	88,9 mm x 60,3 mm	3,2
1180329	88,9 mm x 76,1 mm	3,2
1180350	108 mm x 76,1 mm	3,6
1180348	108 mm x 88,9 mm	3,6
1180358	114,3 mm x 76,1 mm	3,6
1180356	114,3 mm x 88,9 mm	3,6
1180376	133,0 mm x 88,9 mm	4
1180373	133,0 mm x 108,0 mm	4
1180384	139,7 mm x 88,9 mm	4
1180380	139,7 mm x 114,3 mm	4
1180390	159,0 mm x 108,0 mm	4,5
1180389	159,0 mm x 114,3 mm	4,5
1180386	159,0 mm x 133,0 mm	4,5
1180385	159,0 mm x 139,7 mm	4,5



### Profec Half welding socket, DIN 2986

Connection : female thread  
Material : steel



PART NO.	SIZE	PACKAGING pcs	
1191012	1/2"	1	800
1191018	3/4"	1	500
1191025	1"	1	250
1191032	1 1/4"	1	200
1191040	1 1/2"	1	150
1191050	2"	1	100
1191063	2 1/2"	1	50
1191075	3"	1	36
1191099	4"	1	24



### Profec Nr. 23B - Welding nipple

Connection : male thread x butt welding  
Material : steel



PART NO.	SIZE	MOQ
1191200	1/2"	10
1191201	3/4"	10
1191202	1"	10
1191203	1 1/4"	10
1191204	1 1/2"	10
1191205	2"	1
1191206	2 1/2"	1
1191207	3"	1

# METAL PIPES AND FITTINGS

Galvanised and Black Steel Flanges



## Mega Threaded Flange

Connection : DIN flange x female thread

Material : steel

Surface treatment: galvanised

DIN Standard : DIN 2566

PART NO.	SIZE	FLANGE	PCD mm	HOLES	Ø HOLE mm
1080210	DN15 x 1/2"	PN10/16	65	4	14
1080211	DN20 x 3/4"	PN10/16	75	4	16
1080212	DN25 x 1"	PN10/16	85	4	16
1080213	DN32 x 1 1/4"	PN10/16	100	4	16
1080214	DN40 x 1 1/2"	PN10/16	110	4	16
1080215	DN50 x 2"	PN10/16	125	4	18
1080216	DN65 x 2 1/2"	PN10/16	145	4	18
1080217	DN80 x 3"	PN10/16	160	8	20
1080218	DN100 x 4"	PN10/16	180	8	20
1080219	DN125 x 5"	PN10/16	210	8	22
1080220	DN150 x 6"	PN10/16	240	8	22



## Mega Threaded Flange

Connection : DIN flange x female thread

Material : steel

DIN Standard: DIN 2566

PART NO.	SIZE	FLANGE	PCD mm	HOLES	Ø HOLE mm
1180212	DN25 x 1"	PN10/16	85	4	16
1180213	DN32 x 1 1/4"	PN10/16	100	4	16
1180214	DN40 x 1 1/2"	PN10/16	110	4	16
1180215	DN50 x 2"	PN10/16	125	4	18
1180216	DN65 x 2 1/2"	PN10/16	145	4	18
1180217	DN80 x 3"	PN10/16	160	8	20
1180218	DN100 x 4"	PN10/16	180	8	20

### Mega Flange stub PN16, DIN 2633

Connection : DIN flange x butt welding

Material : steel

DIN Standard: DIN 2633

PART NO.	SIZE	FLANGE	PCD mm	HOLES	Ø HOLE mm
1180474	DN25 x 33,7 mm	PN16	85	4	14
1180476	DN32 x 42,4 mm	PN16	100	4	18
1180478	DN40 x 48,3 mm	PN16	110	4	18
1180480	DN50 x 60,3 mm	PN16	125	4	18
1180482	DN65 x 76,1 mm	PN16	145	4	18
1180483	DN80 x 88,9 mm	PN16	160	8	18
1180484	DN100 x 108,0 mm	PN16	180	8	18
1180485	DN100 x 114,3 mm	PN16	180	8	18
1180487	DN125 x 133,0 mm	PN16	210	8	22
1180486	DN125 x 139,7 mm	PN16	210	8	22
1180490	DN150 x 159,0 mm	PN16	240	8	22
1180488	DN150 x 168,3 mm	PN16	240	8	22
1180489	DN200 x 219,1 mm	PN16	295	12	22



mega

### Mega Welding flange

Connection : DIN flange x butt welding

Material : steel

DIN Standard: DIN 2576

PART NO.	SIZE	FLANGE	PCD mm	HOLES	Ø HOLE mm
1180232	DN25 x 33,7 mm	PN10	85	4	14
1180233	DN32 x 42,4 mm	PN10	100	4	18
1180234	DN40 x 48,3 mm	PN10	110	4	18
1180235	DN50 x 60,3 mm	PN10	125	4	18
1180236	DN65 x 76,1 mm	PN10	145	4	18
1180237	DN80 x 88,9 mm	PN10	160	8	18
1180241	DN100 x 108,0 mm	PN10	180	8	18
1180238	DN100 x 114,3 mm	PN10	180	8	18
1180242	DN125 x 133,0 mm	PN10	210	8	18
1180239	DN125 x 139,7 mm	PN10	210	8	18
1180243	DN150 x 159,0 mm	PN10	240	8	22
1180240	DN150 x 168,3 mm	PN10	240	8	22
1180244	DN200 x 220,0 mm	PN10	295	8	22
1180246	DN250 x 273,0 mm	PN10	350	12	22



mega

# METAL PIPES AND FITTINGS

Galvanised and Black Steel Flanges



## Mega Flange blind

Connection : DIN flange

Material : steel

DIN Standard: DIN 2527

PART NO.	SIZE	FLANGE	PCD mm	HOLES	Ø HOLE mm
1180252	DN25	PN16	85	4	14
1180253	DN32	PN16	100	4	18
1180254	DN40	PN16	110	4	18
1180255	DN50	PN16	125	4	18
1180256	DN65	PN16	145	4	18
1180257	DN80	PN16	160	8	18
1180258	DN100	PN16	180	8	18
1180259	DN125	PN16	210	8	18
1180260	DN150	PN16	240	8	23
1180261	DN200	PN16	295	12	23



## Flange flat

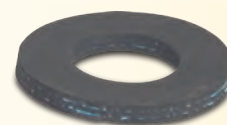
Material : steel

Surface treatment: galvanised

PART NO.	SIZE	FLANGE	PCD mm	HOLES	Ø HOLE mm
7009238	63 mm	PN10/16	125	4	18
7009239	75 mm	PN10/16	145	4	18
7009240	90 mm	PN10/16	160	8	18
7009241	110 mm	PN10/16	180	8	18
7009242	125 mm	PN10/16	180	8	18
7009243	140 mm	PN10/16	210	8	18
7009244	160 mm	PN10/16	240	8	22
7009245	180 mm	PN10/16	240	8	22
7009246	200 mm	PN10	295	8	22

## Flange seal PN6

Material: SBR



PART NO.	SIZE	FLANGE	MOQ
1180265	DN15	PN6	10
1180266	DN20	PN6	10
1180267	DN25	PN6	10
1180268	DN32	PN6	10
1180269	DN40	PN6	10
1180270	DN50	PN6	10
1180271	DN65	PN6	5
1180272	DN80	PN6	5
1180273	DN100	PN6	5
1180274	DN125	PN6	5
1180275	DN150	PN6	5

## Rubber Expansion Joints



### Expansion joint with threaded connection

Connection: female thread  
 Material : NBR  
 Max. temp. : 110 °C  
 Pressure : 10 bar



PART NO.	SIZE	LENGTH mm
0412356	1"	200
0412357	1 1/4"	200
0412358	1 1/2"	200
0412359	2"	200
0412360	2 1/2"	200



### Expansion joint

Connection : DIN flange  
 Material : NBR  
 Material flange : galvanised  
 Max. temp. : 100 °C  
 Pressure : 10 bar



PART NO.	SIZE	LENGTH mm	FLANGE	HOLES
0412366	DN40	95	PN10/16	4
0412367	DN50	105	PN10/16	4
0412368	DN65	115	PN10/16	4
0412369	DN80	135	PN10/16	8
0412370	DN100	150	PN10/16	8
0412371	DN125	165	PN10/16	8
0412372	DN150	180	PN10/16	8
0412373	DN200	190	PN10	8
0412374	DN250	230	PN10	10
0412375	DN300	245	PN10	12

# METAL PIPES AND FITTINGS



**Profec Nr. 3 - Bend 90° from tube**

Connection: male thread  
Material : stainless steel 316

PART NO.	SIZE
0080761	1/4"
0080763	1/2"
0080764	3/4"
0080765	1"
0080766	1 1/4"
0080767	1 1/2"
0080768	2"



**Profec Nr. 92 - Elbow 90°**

Connection: female thread x male thread  
Material : stainless steel 316

PART NO.	SIZE
0080015	1/8"
0080016	1/4"
0080017	3/8"
0080018	1/2"
0080019	3/4"
0080020	1"
0080021	1 1/4"
0080022	1 1/2"
0080023	2"
0080333	2 1/2"
0080334	3"
0080335	4"

## Stainless Steel 316 Threaded Fittings



**Profec Nr. 90 - Elbow 90°**

Connection: female thread  
Material : stainless steel 316

PART NO.	SIZE
0080005	1/8"
0080006	1/4"
0080007	3/8"
0080008	1/2"
0080009	3/4"
0080010	1"
0080011	1 1/4"
0080012	1 1/2"
0080013	2"
0080330	2 1/2"
0080331	3"



**Profec Nr. 96 - Union Elbow 90°**

Connection: female thread  
Material : stainless steel 316  
Type : conical

PART NO.	SIZE
0080685	1/2"
0080686	3/4"
0080687	1"
0080688	1 1/4"
0080689	1 1/2"
0080690	2"



**Profec Nr. 120 - Elbow 45°**  
 Connection: female thread  
 Material : stainless steel 316



PART NO.	SIZE
0080026	1/4"
0080027	3/8"
0080028	1/2"
0080029	3/4"
0080030	1"
0080031	1 1/4"
0080032	1 1/2"
0080033	2"
0080336	2 1/2"
0080337	3"
0080338	4"



**Profec Nr. 121 - Elbow 45°**  
 Connection: female thread x  
 male thread  
 Material : stainless steel 316



PART NO.	SIZE
0081241	1/4"
0081242	3/8"
0080024	1/2"
0081243	3/4"
0081244	1"
0081245	1 1/4"
0081246	1 1/2"
0081247	2"



**Profec Nr. 180 - Cross piece 90°**  
 Connection: female thread  
 Material : stainless steel 316



PART NO.	SIZE
0080316	1/4"
0080317	3/8"
0080318	1/2"
0080319	3/4"
0080320	1"
0080321	1 1/4"
0080322	1 1/2"
0080323	2"



**Profec Nr. 130 - T-piece 90°**  
 Connection: female thread  
 Material : stainless steel 316



PART NO.	SIZE
0080035	1/8"
0080036	1/4"
0080037	3/8"
0080038	1/2"
0080210	3/4" x 1/2" x 3/4"
0080039	3/4"
0080040	1"
0080041	1 1/4"
0080042	1 1/2"
0080043	2"
0080339	2 1/2"
0080340	3"
0080341	4"

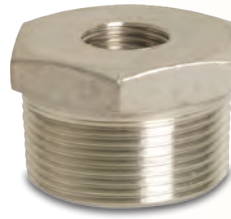
# METAL PIPES AND FITTINGS

## Stainless Steel 316 Threaded Fittings



**Profec Nr. 240 - Reducing Socket**

Connection: female thread  
Material : stainless steel 316



**Profec Nr. 241 - Reducing Bush**

Connection: male thread x female thread  
Material : stainless steel 316



PART NO.	SIZE
0080050	1/4" x 1/8"
0080052	3/8" x 1/4"
0080053	1/2" x 1/8"
0080054	1/2" x 1/4"
0080055	1/2" x 3/8"
0080056	3/4" x 1/4"
0080057	3/4" x 3/8"
0080058	3/4" x 1/2"
0080060	1" x 1/2"
0080061	1" x 3/4"
0080062	1 1/4" x 1/2"
0080063	1 1/4" x 3/4"
0080064	1 1/4" x 1"
0080067	1 1/2" x 3/4"
0080068	1 1/2" x 1"
0080069	1 1/2" x 1 1/4"
0080070	2" x 1"
0080071	2" x 1 1/4"
0080072	2" x 1 1/2"
0080073	2 1/2" x 2"
0080049	2 1/2" x 1 1/2"
0080074	3" x 2"
0080075	3" x 2 1/2"
0080078	4" x 3"

PART NO.	SIZE
0080080	1/4" x 1/8"
0080081	3/8" x 1/8"
0080082	3/8" x 1/4"
0080083	1/2" x 1/8"
0080084	1/2" x 1/4"
0080085	1/2" x 3/8"
0080086	3/4" x 1/4"
0080087	3/4" x 3/8"
0080088	3/4" x 1/2"
0080079	1" x 1/4"
0080089	1" x 3/8"
0080090	1" x 1/2"
0080091	1" x 3/4"
0080092	1 1/4" x 1/2"
0080093	1 1/4" x 3/4"
0080094	1 1/4" x 1"
0080096	1 1/2" x 1/2"
0080097	1 1/2" x 3/4"
0080098	1 1/2" x 1"
0080099	1 1/2" x 1 1/4"
0080371	2" x 1/2"
0080372	2" x 3/4"
0080100	2" x 1"
0080101	2" x 1 1/4"
0080102	2" x 1 1/2"
0080103	2 1/2" x 1"
0080104	2 1/2" x 1 1/2"
0080105	2 1/2" x 2"
0080368	3" x 1 1/2"
0080106	3" x 2"
0080107	3" x 2 1/2"
0080108	4" x 2"
0080370	4" x 3"





### Profec Nr. 245 - Reducing Nipple

Connection: male thread  
Material : stainless steel 316



### Profec Nr. 270 - Socket

Connection: female thread  
Material : stainless steel 316



PART NO.	SIZE
0080110	1/4" x 1/8"
0080111	3/8" x 1/8"
0080112	3/8" x 1/4"
0080113	1/2" x 1/8"
0080114	1/2" x 1/4"
0080115	1/2" x 3/8"
0080116	3/4" x 1/4"
0080117	3/4" x 3/8"
0080118	3/4" x 1/2"
0080119	1" x 3/8"
0080120	1" x 1/2"
0080121	1" x 3/4"
0080122	1 1/4" x 1/2"
0080123	1 1/4" x 3/4"
0080124	1 1/4" x 1"
0080127	1 1/2" x 3/4"
0080128	1 1/2" x 1"
0080129	1 1/2" x 1 1/4"
0080130	2" x 1"
0080131	2" x 1 1/4"
0080132	2" x 1 1/2"
0080135	2 1/2" x 2"
0080136	3" x 2"
0080137	3" x 2 1/2"
0080374	4" x 3"

PART NO.	SIZE	LENGTH mm
0080140	1/8"	18,0
0080141	1/4"	24,5
0080142	3/8"	26,0
0080143	1/2"	33,0
0080144	3/4"	35,0
0080145	1"	42,0
0080146	1 1/4"	45,0
0080147	1 1/2"	45,0
0080148	2"	54,5
0080342	2 1/2"	63,5
0080343	3"	68,5
0080344	4"	76,5



### Profec Nr. 270A - Half Socket

Connection: female thread  
Material : stainless steel 316



PART NO.	SIZE	LENGTH mm
0080151	1/4"	12,0
0080152	3/8"	12,5
0080153	1/2"	16,0
0080154	3/4"	17,2
0080155	1"	19,5
0080156	1 1/4"	21,5
0080157	1 1/2"	21,5
0080158	2"	27,5
0080346	2 1/2"	30,5
0080347	3"	35,5
0080348	4"	41,5

# METAL PIPES AND FITTINGS

## Stainless Steel 316 Threaded Fittings



**Profec Nr. 280 - Nipple**  
 Connection: male thread  
 Material : stainless steel 316



**Profec Nr. 290 - Plug**  
 Connection: male thread  
 Material : stainless steel 316



PART NO.	SIZE
0080160	1/8"
0080161	1/4"
0080162	3/8"
0080163	1/2"
0080164	3/4"
0080165	1"
0080166	1 1/4"
0080167	1 1/2"
0080168	2"
0080349	2 1/2"
0080350	3"
0080351	4"

PART NO.	SIZE
0080170	1/8"
0080171	1/4"
0080172	3/8"
0080173	1/2"
0080174	3/4"
0080175	1"
0080176	1 1/4"
0080177	1 1/2"
0080178	2"
0080352	2 1/2"
0080353	3"
0080354	4"



**Profec Nr. 300 - Hexagon Cap**  
 Connection: female thread  
 Material : stainless steel 316



**Profec Nr. 312 - Back Nut**  
 Connection: female thread  
 Material : stainless steel 316



PART NO.	SIZE
0080700	1/8"
0080701	1/4"
0080702	3/8"
0080703	1/2"
0080704	3/4"
0080705	1"
0080706	1 1/4"
0080707	1 1/2"
0080708	2"
0080709	2 1/2"
0080710	3"
0080711	4"

PART NO.	SIZE
0080717	3/8"
0080718	1/2"
0080719	3/4"
0080720	1"
0080721	1 1/4"
0080722	1 1/2"
0080723	2"



**Profec Nr. 330 - Coupler with flat seal**

Connection: female thread  
 Material : stainless steel 316  
 Type : flat



PART NO.	SIZE
0080931	1/2"
0080932	3/4"
0080933	1"
0080934	1 1/4"
0080935	1 1/2"
0080936	2"



**Profec Nr. 331 - Union with flat seal**

Connection: female thread x male thread  
 Material : stainless steel 316  
 Type : flat



PART NO.	SIZE
0080699	1/4"
0080692	3/8"
0080693	1/2"
0080694	3/4"
0080695	1"
0080696	1 1/4"
0080697	1 1/2"
0080698	2"



**Profec Nr. 340 - Union**

Connection: female thread  
 Material : stainless steel 316  
 Type : conical



PART NO.	SIZE
0080191	1/4"
0080192	3/8"
0080193	1/2"
0080194	3/4"
0080195	1"
0080196	1 1/4"
0080197	1 1/2"
0080198	2"
0080358	2 1/2"
0080359	3"
0080360	4"



**Profec Nr. 341 - Union**

Connection: female thread x male thread  
 Material : stainless steel 316  
 Type : conical



PART NO.	SIZE
0080201	1/4"
0080202	3/8"
0080203	1/2"
0080204	3/4"
0080205	1"
0080206	1 1/4"
0080207	1 1/2"
0080208	2"
0080361	2 1/2"
0080362	3"
0080363	4"

# METAL PIPES AND FITTINGS

## Stainless Steel 316 Threaded Fittings



### Profec Nr. 471 - Deck Elbow 90°

Connection: female thread  
Material : stainless steel 304



PART NO.	SIZE
0080803	1/2"
0080804	3/4"
0080805	1"



### Profec Nr. 23B - Welding Nipple

Connection: male thread x butt welding  
Material : stainless steel 316



PART NO.	SIZE	LENGTH mm
0080743	1/4"	30
0080744	3/8"	30
0080745	1/2"	35
0080746	3/4"	40
0080747	1"	40
0080748	1 1/4"	50
0080749	1 1/2"	50
0080750	2"	50
0080751	2 1/2"	60
0080753	3"	70
0080754	4"	80



### Profec Nr. 23 - Pipe Nipple

Connection : male thread  
Material : stainless steel 316  
DIN Standard: DIN 2999



PART NO.	SIZE	LENGTH mm
0080401	1/4"	40
0080402	3/8"	40
0080403	1/2"	60
0080412	1/2"	80
0080417	1/2"	100
0080554	1/2"	150
0080555	1/2"	200
0080556	1/2"	300
0080404	3/4"	60
0080405	1"	60
0080406	1 1/4"	80
0080407	1 1/2"	80
0080408	2"	100
0080409	2 1/2"	100
0080410	3"	120
0080411	4"	120



### Profec Hose Tail

Connection: female thread x hose tail  
Material : stainless steel 316



PART NO.	SIZE
0081260	1/2" x 13 mm
0081261	3/4" x 19 mm
0081262	1" x 25 mm



### Profec Hose Tail with hexagon

Connection: male thread x  
hose tail

Material : stainless steel 316

PART NO.	SIZE
0080300	1/8" x 6 mm
0080911	1/8" x 7 mm
0080912	1/4" x 7 mm
0080301	1/4" x 8 mm
0080299	1/4" x 9 mm
0080914	3/8" x 9 mm
0080302	3/8" x 10 mm
0080915	3/8" x 11 mm
0080916	3/8" x 13 mm
0080917	3/8" x 16 mm
0080918	1/2" x 9 mm
0080303	1/2" x 13 mm

PART NO.	SIZE
0080919	1/2" x 15 mm
0080920	1/2" x 20 mm
0080921	3/4" x 16 mm
0080304	3/4" x 19 mm
0080305	1" x 26 mm
0080306	1 1/4" x 33 mm
0080307	1 1/2" x 40 mm
0080308	2" x 52 mm
0080364	2 1/2" x 63 mm
0080365	3" x 75 mm
0080366	4" x 100 mm

## Stainless Steel 304 Threaded Fittings



### Profec Nr. 23 - Pipe nipple

Connection: male thread x  
butt welding

Material : stainless steel 304

PART NO.	SIZE	LENGTH mm
0081565	3/4"	80
0081566	3/4"	100
0081567	3/4"	120
0081568	3/4"	150
0081560	3/4"	200
0081570	1"	100
0081571	1"	120
0081572	1"	150

# METAL PIPES AND FITTINGS

## Stainless Steel Flanges and Welding Fittings



### Threaded flange PN16, DIN 2566

Connection : DIN flange x female thread

Material : stainless steel 316

DIN Standard: DIN 2566

PART NO.	SIZE	FLANGE	PCD mm	HOLES	Ø HOLE mm
0080663	DN15 x DN15 x 1/2"	PN16	65	4	14
0080664	DN20 x DN20 x 3/4"	PN16	75	4	14
0080665	DN25 x DN25 x 1"	PN16	85	4	14
0080666	DN32 x DN32 x 1 1/4"	PN16	100	4	18
0080667	DN40 x DN40 x 1 1/2"	PN16	110	4	18
0080668	DN50 x DN50 x 2"	PN16	125	4	18
0080669	DN65 x DN65 x 2 1/2"	PN16	145	8	18
0080670	DN80 x DN80 x 3"	PN16	160	8	18
0080671	DN100 x DN100 x 4"	PN16	180	8	18



### Welding flange PN16, DIN2633

Connection : DIN flange x butt welding

Material : stainless steel 316

DIN Standard: DIN 2633

PART NO.	SIZE	FLANGE	PCD mm	HOLES	Ø HOLE mm
0080642	DN20 x 26,9 mm	PN16	75	4	14
0080643	DN25 x 33,7 mm	PN16	85	4	14
0080644	DN32 x 42,4 mm	PN16	100	4	18
0080645	DN40 x 48,3 mm	PN16	110	4	18
0080646	DN50 x 60,3 mm	PN16	125	4	18
0080647	DN65 x 76,1 mm	PN16	145	4	18
0080648	DN80 x 88,9 mm	PN16	160	8	18
0080649	DN100 x 114,3 mm	PN16	180	8	18
0080650	DN125 x 139,7 mm	PN16	210	8	18
0080651	DN150 x 168,3 mm	PN16	240	8	23



### Flat flange PN10, DIN 2576

Connection : DIN flange x butt welding

Material : stainless steel 316

DIN Standard: DIN 2576

PART NO.	SIZE	FLANGE	PCD mm	HOLES	Ø HOLE mm
0080634	DN40 x 48,3 mm	PN10	110	4	18
0080635	DN50 x 60,3 mm	PN10	125	4	18
0080636	DN65 x 76,1 mm	PN10	145	4	18
0080637	DN80 x 88,9 mm	PN10	160	8	18
0080638	DN100 x 114,3 mm	PN10	180	8	18
0080639	DN125 x 139,7 mm	PN10	210	8	18
0080640	DN150 x 168,3 mm	PN10	240	8	23

### Blind flange PN16, DIN 2527

Connection : DIN flange

Material : stainless steel 316

DIN Standard: DIN 2527

PART NO.	SIZE	FLANGE	PCD mm	HOLES	Ø HOLE mm
0080657	DN50	PN16	125	4	18
0080658	DN65	PN16	145	8	18
0080659	DN80	PN16	160	8	18
0080660	DN100	PN16	180	8	18
0080661	DN125	PN16	210	8	18
0080662	DN150	PN16	240	8	22



### Welding bend 90° DIN 2605

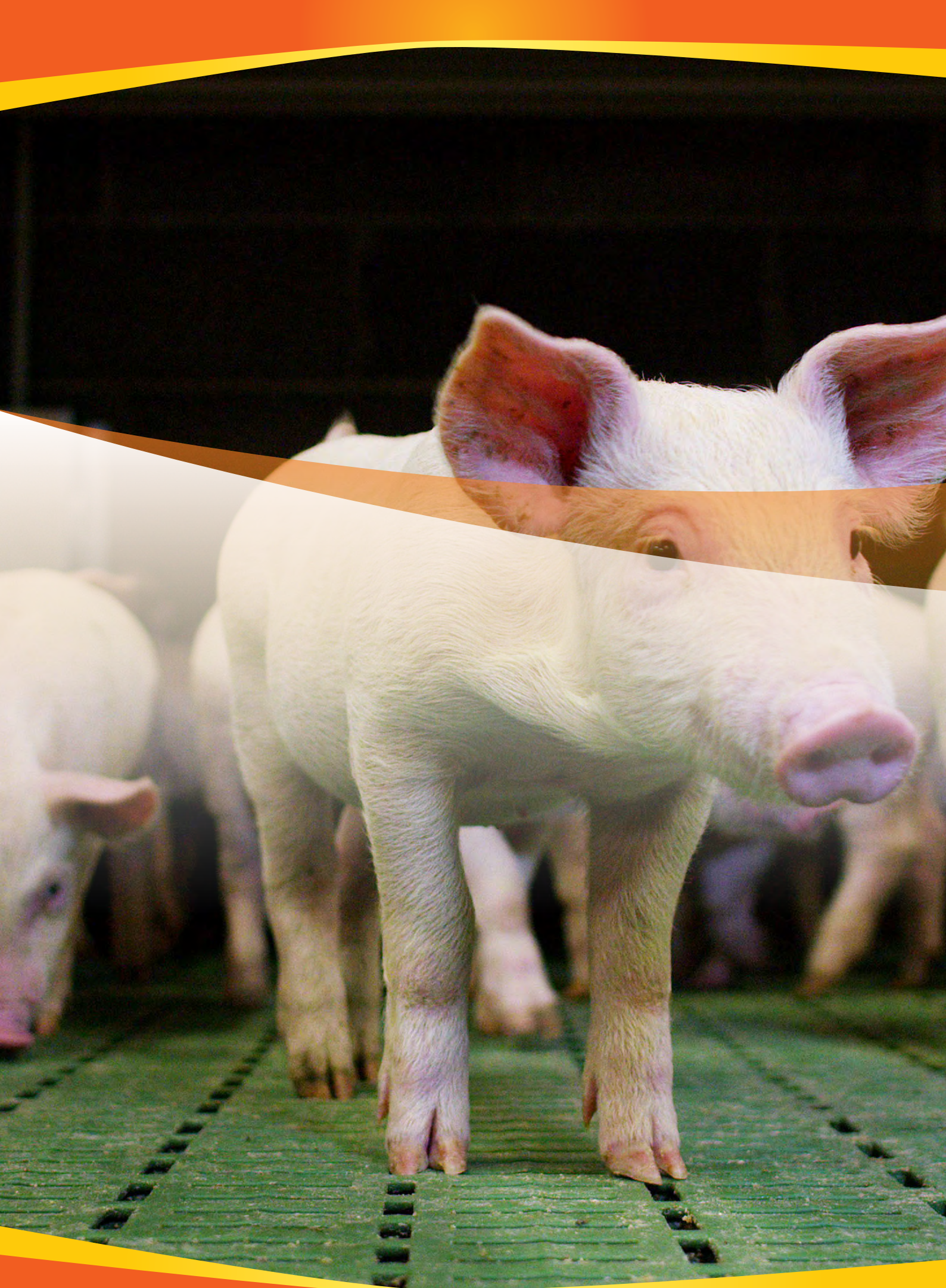
Connection : butt welding

Material : stainless steel 316

DIN Standard: DIN 2605

PART NO.	SIZE	WALL THICKNESS mm
0080672	21,3 mm	2,0
0080673	26,9 mm	2,0
0080674	33,7 mm	2,0
0080675	42,4 mm	2,0
0080676	48,3 mm	2,0
0080677	60,3 mm	2,0
0080678	76,1 mm	2,0
0080679	88,9 mm	2,0
0080680	114,3 mm	2,0
0080681	139,7 mm	2,0
0080682	168,3 mm	2,0









# MEASUREMENT, REGULATION AND FILTRATION

Pressure Gauges  
Hygrometers and Thermometers  
Water Meters and Flow Meters  
Dosing Systems  
Water Filters and Accessories  
Screen, Disc and Sand Filters

DRINKERS

PLASTIC PRESSURE  
PIPING SYSTEMS

FASTENERS AND  
ADHESIVES

CLAMPS

METAL VALVES

COUPLINGS AND  
ACCESSORIES

HOSES

METAL PIPES AND  
FITTINGS

MEASUREMENT, REGULATION  
AND FILTRATION

PUMPS, PRESSURE TANKS  
AND ACCESSORIES

TANKS

CLIMATE

# MEASUREMENT, REGULATION AND FILTRATION

## Pressure Gauges



### Profec Pressure gauge, type dry

Connection : male thread  
Type : dry  
Connection type : bottom connection  
Material housing : steel  
Bourdon tube : copper alloy up to 40 bar phosphorous bronze from 60 bar  
Connection nipple: brass  
Accuracy class : 1.6 %

PART NO.	SCALE	CONNECTION	CASE
0840090	-1 - 0 bar	1/4 "	63 mm
0840091	-1 - 1,5 bar	1/4 "	63 mm
0851077	-1 - 3 bar	1/4 "	63 mm
0840092	-1 - 5 bar	1/4 "	63 mm
0840093	-1 - 9 bar	1/4 "	63 mm
0840094	-1 - 15 bar	1/4 "	63 mm
0840099	0 - 0,6 bar	1/4 "	63 mm
0850000	0 - 1 bar	1/4 "	63 mm
0850001	0 - 1,6 bar	1/4 "	63 mm
0850002	0 - 2,5 bar	1/4 "	63 mm
0850004	0 - 4 bar	1/4 "	63 mm
0850006	0 - 6 bar	1/4 "	63 mm
0850010	0 - 10 bar	1/4 "	63 mm
0850016	0 - 16 bar	1/4 "	63 mm
0850025	0 - 25 bar	1/4 "	63 mm
0850061	0 - 100 bar	1/4 "	63 mm



- DRINKERS
- PLASTIC PRESSURE PIPING SYSTEMS
- FASTENERS AND ADHESIVES
- CLAMPS
- METAL VALVES
- COUPLINGS AND ACCESSORIES
- HOSES
- METAL PIPES AND FITTINGS
- MEASUREMENT, REGULATION AND FILTRATION
- PUMPS, PRESSURE TANKS AND ACCESSORIES
- TANKS
- CLIMATE

**Profec Pressure gauge, type dry**

- Connection : male thread
- Type : dry
- Connection type : back connection
- Material housing : black steel
- Bourdon tube : copper alloy up to 40 bar phosphorous bronze from 60 bar
- Connection nipple: brass
- Accuracy class : 1.6 %



PART NO.	SCALE	CONNECTION	CASE
0830098	-1 - 0 bar	1/4 "	63 mm
0830099	0 - 0,6 bar	1/4 "	63 mm
0840000	0 - 1 bar	1/4 "	63 mm
0840001	0 - 1,6 bar	1/4 "	63 mm
0840002	0 - 2,5 bar	1/4 "	63 mm
0840004	0 - 4 bar	1/4 "	63 mm
0840006	0 - 6 bar	1/4 "	63 mm
0840010	0 - 10 bar	1/4 "	63 mm
0840016	0 - 16 bar	1/4 "	63 mm
0840025	0 - 25 bar	1/4 "	63 mm
0840040	0 - 40 bar	1/4 "	63 mm
0840062	0 - 100 bar	1/4 "	63 mm
0840063	0 - 160 bar	1/4 "	63 mm
0840065	0 - 400 bar	1/4 "	63 mm

# MEASUREMENT, REGULATION AND FILTRATION

## Pressure Gauges



### Profec Pressure gauge, type glycerin filled

Connection : male thread  
 Type : glycerin filled  
 Connection type : bottom connection  
 Material housing : stainless steel  
 Bourdon tube : copper alloy up to 40 bar phosphorous bronze from 60 bar  
 Connection nipple: brass  
 Accuracy class : 1.6 %

PART NO.	SCALE	CONNECTION	CASE
0859920	-1 - 0 bar	1/4 "	63 mm
0851081	-1 - 1,5 bar	1/4 "	63 mm
0859921	-1 - 3 bar	1/4 "	63 mm
0859922	-1 - 5 bar	1/4 "	63 mm
0859923	-1 - 9 bar	1/4 "	63 mm
0859924	-1 - 15 bar	1/4 "	63 mm
0859925	0 - 0,6 bar	1/4 "	63 mm
0859926	0 - 1 bar	1/4 "	63 mm
0859927	0 - 1,6 bar	1/4 "	63 mm
0859928	0 - 2,5 bar	1/4 "	63 mm
0859929	0 - 4 bar	1/4 "	63 mm
0859930	0 - 6 bar	1/4 "	63 mm
0859931	0 - 10 bar	1/4 "	63 mm
0859932	0 - 16 bar	1/4 "	63 mm
0859933	0 - 25 bar	1/4 "	63 mm
0859934	0 - 40 bar	1/4 "	63 mm
0859935	0 - 60 bar	1/4 "	63 mm
0859936	0 - 100 bar	1/4 "	63 mm
0859937	0 - 160 bar	1/4 "	63 mm
0859938	0 - 250 bar	1/4 "	63 mm
0859939	0 - 400 bar	1/4 "	63 mm

### Profec Pressure gauge, type glycerin filled

Connection : male thread  
 Type : glycerin filled  
 Connection type : back connection  
 Material housing : stainless steel  
 Bourdon tube : copper alloy up to 40 bar phosphorous bronze from 60 bar  
 Connection nipple: brass  
 Accuracy class : 1.6 %



PART NO.	SCALE	CONNECTION	CASE
0859900	-1 - 0 bar	1/4 "	63 mm
0859901	-1 - 3 bar	1/4 "	63 mm
0859902	-1 - 5 bar	1/4 "	63 mm
0859903	0 - 1 bar	1/4 "	63 mm
0859904	0 - 1,6 bar	1/4 "	63 mm
0859905	0 - 2,5 bar	1/4 "	63 mm
0859906	0 - 4 bar	1/4 "	63 mm
0859907	0 - 6 bar	1/4 "	63 mm
0859908	0 - 10 bar	1/4 "	63 mm
0859909	0 - 16 bar	1/4 "	63 mm
0859910	0 - 25 bar	1/4 "	63 mm
0859911	0 - 40 bar	1/4 "	63 mm
0859912	0 - 60 bar	1/4 "	63 mm
0859913	0 - 100 bar	1/4 "	63 mm

### Profec Pressure gauge, type dry

Connection : male thread  
 Type : dry  
 Connection type : bottom connection  
 Material housing : black steel  
 Bourdon tube : copper alloy up to 40 bar phosphorous bronze from 60 bar  
 Connection nipple: brass  
 Accuracy class : 1.6 %



PART NO.	SCALE	CONNECTION	CASE
0840206	-1 - 1,5 bar	1/2 "	100 mm
0851075	-1 - 3 bar	1/2 "	100 mm
0840177	0 - 6 bar	1/2 "	100 mm
0840178	0 - 10 bar	1/2 "	100 mm
0840179	0 - 16 bar	1/2 "	100 mm

# MEASUREMENT, REGULATION AND FILTRATION

## Pressure Gauges



### Profec Pressure gauge, type glycerin filled

Connection : male thread  
 Type : glycerin filled  
 Connection type : bottom connection  
 Material housing : stainless steel  
 Bourdon tube : copper alloy up to 40 bar phosphorous bronze from 60 bar  
 Connection nipple: brass  
 Accuracy class : 1.6 %

PART NO.	SCALE	CONNECTION	CASE
0840100	-1 - 5 bar	1/2 "	100 mm
0851084	-1 - 3 bar	1/2 "	100 mm
0840102	0 - 6 bar	1/2 "	100 mm
0840103	0 - 10 bar	1/2 "	100 mm
0840104	0 - 16 bar	1/2 "	100 mm

## Hygrometers and Thermometers



### Bimetal pointer thermometer

Connection : male thread  
 Case : 63 mm

PART NO.	SIZE	INSERT LENGTH
0801563	1/2"	40 mm

# Water Meters and Flow Meters

## Flowmeter

Connection : glue socket

Material : PVC-U



PART NO.	SIZE	FLOW RANGE	PRESSURE bar
7017094	DN15 x 20 mm x 20 mm	25 - 250 ltr/h	10
7017095	DN15 x 20 mm x 20 mm	40 - 400 ltr/h	10
7017096	DN20 x 25 mm x 25 mm	40 - 400 ltr/h	10
7017097	DN20 x 25 mm x 25 mm	60 - 600 ltr/h	10
7017098	DN20 x 25 mm x 25 mm	100 - 1000 ltr/h	10
7017099	DN40 x 50 mm x 50 mm	300 - 3000 ltr/h	10
7017100	DN50 x 63 mm x 63 mm	400 - 4000 ltr/h	10
7017101	DN50 x 63 mm x 63 mm	1000 - 10000 ltr/h	10
7017102	DN65 x 75 mm x 75 mm	2500 - 25000 ltr/h	10

## Profec Water meter dry, type single jet

Dry display water meter with magnetic transmission.

360° rotatable.

Can be mounted horizontally or vertically.

Connection : male thread

Material : brass

Max. temp. : 50 °C

Type : single jet



PART NO.	SIZE	CAPACITY QMAX	CAPACITY QN
0892312	3/4"	2.5 m <sup>3</sup> /h	1.5 m <sup>3</sup> /h

## Profec Water meter dry, type single jet

Dry display water meter with magnetic transmission.

360° rotatable.

Can be mounted horizontally or vertically.

Connection : male thread

Material : brass

Max. temp. : 90 °C

Type : single jet



PART NO.	SIZE	CAPACITY QMAX	CAPACITY QN
0892313	3/4"	3 m <sup>3</sup> /h	1.5 m <sup>3</sup> /h

# MEASUREMENT, REGULATION AND FILTRATION

## Water Meters and Flow Meters



### Profec Water meter dry, type TL multi jet horizontal with pulse option

Multi-jet water meters are provided with installed pulse output option rotor. Pulse output option as given in specs.

The pulse output option rotor can activate pulse reader.

Pulse output option rotor can be changed with one of the other rotors on the counter.

Connection : male thread

Material : brass

Max. temp. : 55 °C

Type : TL multi jet

PART NO.	SIZE	DN	CAPACITY QN	CAPACITY QMAX	PULSE OPTION
0892315	3/4"	1/2 "	1.5 m <sup>3</sup> /h	3 m <sup>3</sup> /h	10 ltr
0892316	1"	3/4 "	2.5 m <sup>3</sup> /h	5 m <sup>3</sup> /h	10 ltr
0892317	1 1/4"	1 "	3.5 m <sup>3</sup> /h	7 m <sup>3</sup> /h	10 ltr
0892309	1 1/2"	1 1/4 "	6 m <sup>3</sup> /h	12 m <sup>3</sup> /h	10 ltr
0892310	2"	1 1/2 "	10 m <sup>3</sup> /h	20 m <sup>3</sup> /h	100 ltr
0892311	2 1/2"	2 "	15 m <sup>3</sup> /h	30 m <sup>3</sup> /h	100 ltr



### Profec Pulse reader for multi-jet water meter, type with cable 1.5m

Output signal: Parallel reed contact (3 wire)

Pulse reader is attached to the sight glass of the Profec Multijet water meter en transponds data of the connected rotor to your PC

Type: with cable 1.5m

PART NO.	
7019373	Profec Pulse reader for multi-jet water meter, type with cable 1.5m



### Profec Water meter dry, type Nylon multi jet horizontal with pulse option

This water meter meets the standards ISO 4064-2005 and EN 14154. The nylon water meter is supplied with plastic couplings. The nylon housing improves chemical resistance and increases the price/quality ratio.

Connection : male thread

Material : nylon

Max. temp. : 55 °C

Type : Nylon multi jet

PART NO.	SIZE	DN	CAPACITY QN	CAPACITY QMAX	PULSE OPTION
7025224	3/4"	1/2 "	1.5 m <sup>3</sup> /h	3 m <sup>3</sup> /h	10 ltr
7025225	1"	3/4 "	2.5 m <sup>3</sup> /h	5 m <sup>3</sup> /h	10 ltr
7025226	1 1/4"	1 "	3.5 m <sup>3</sup> /h	7 m <sup>3</sup> /h	10 ltr
7025227	1 1/2"	1 1/4 "	6 m <sup>3</sup> /h	12 m <sup>3</sup> /h	10 ltr
7025228	2"	1 1/2 "	10 m <sup>3</sup> /h	20 m <sup>3</sup> /h	10 ltr





DRINKERS

PLASTIC PRESSURE PIPING SYSTEMS

FASTENERS AND ADHESIVES

CLAMPS

METAL VALVES

COUPLINGS AND ACCESSORIES

HOSES

METAL PIPES AND FITTINGS

MEASUREMENT, REGULATION AND FILTRATION

PUMPS, PRESSURE TANKS AND ACCESSORIES

TANKS

CLIMATE

### Profec Ultrasonic water meter, type Class 2

Ultrasonic measurement without moving parts, guaranteeing a long-life operation without wear and tear. Ultrasonic measurements allows this water meter to be installed in any position.

Highly accurate at low flow rates. For liquids from 4 – 60°C  
2 way measurement

Connection: DIN flange

Material : cast iron

Colour : blue

Type : Class 2



PART NO.	SIZE	PCD mm	CAPACITY QN	CAPACITY QMAX
7021146	DN50	125	25 m <sup>3</sup> /h	31.25 m <sup>3</sup> /h
7021147	DN65	145	40 m <sup>3</sup> /h	50 m <sup>3</sup> /h
7021148	DN80	160	63 m <sup>3</sup> /h	78.75 m <sup>3</sup> /h
7021149	DN100	180	100 m <sup>3</sup> /h	125 m <sup>3</sup> /h
7021150	DN125	210	160 m <sup>3</sup> /h	200 m <sup>3</sup> /h
7021151	DN150	240	250 m <sup>3</sup> /h	312.5 m <sup>3</sup> /h

# MEASUREMENT, REGULATION AND FILTRATION

## Dosing Systems



**TEFEN**  
FLOW & DOSING TECHNOLOGIES

### Tefen Dosing pump for poultry, type MixRite 2.5 PO LFR

All units have a standard hydraulic On/Off system.

Every unit comes with a suction tube, mounting bracket, a multilanguage manual (RUS, DE, ES, FR, ITA, EN, PT) and a seal kit containing an upper piston seal, lower piston seal, suction seal and a small quantity of grease.

The suction tube length is 1.5m long and 10mm diameter for the type 0.3 - 2.0% and 16mm diameter for the type 0.4 - 4.0%.

These types with the red handle are the livestock models for Poultry (PO) models that come with EPDM seals which are not to be used with Nitric and Chloric acid up to 10% concentration and standard poultry treatments like: vaccines, disinfectants, supplements, vitamins and minerals.

For a complete overview and more information on the chemical compatibility table of the MixRite PO type, please consult with us.

Selection (for birds size up to 9 pounds): from 8.000 to 50.000 birds both mixtures can be used, up to 70.000 birds use MixRite 2.5 0.3 - 2.0% adjustable mixture, for more than 70.000 birds please consult with us.

For spare parts and spare part kits please consult with us.

Connection : male thread x hose tail x male thread

PART NO.	SIZE	ADJUSTABLE MIXTURE	FLOW RANGE	REC. PRESS.	MATERIAL SEAL
7024292	3/4" x 10 mm x 3/4"	0,3 - 2%	7 - 2500 ltr/h	0.2 - 8.0 bar	EPDM
7024293	3/4" x 16 mm x 3/4"	0,4 - 4%	7 - 2500 ltr/h	0.2 - 8.0 bar	EPDM



**TEFEN**  
FLOW & DOSING TECHNOLOGIES

### Tefen Dosing pump, type MixRite 2.5 On/Off external by-pass

The external by-pass allows the fertilizer/acid mix to be mixed at the outlet of the pump and not inside, hence preventing the possibility of the pump clogging due to mixing reactions. Comes with a suction tube, mounting bracket and a seal kit.

The suction tube length is 1.5m long.

Use with fertilizer solutions and not with acids.

Refer to our chemical compatibility table in order to select the right model for your application.

Connection : male thread x hose tail x male thread

PART NO.	SIZE	ADJUSTABLE MIXTURE	FLOW RANGE	REC. PRESS.	MATERIAL SEAL
7028003	3/4" x 10 mm x 3/4"	0,3 - 2%	7 - 2500 ltr/h	0.2 - 8.0 bar	NBR
7028004	3/4" x 16 mm x 3/4"	0,4 - 4%	7 - 2500 ltr/h	0.2 - 8.0 bar	NBR



- DRINKERS
- PLASTIC PRESSURE PIPING SYSTEMS
- FASTENERS AND ADHESIVES
- CLAMPS
- METAL VALVES
- COUPLINGS AND ACCESSORIES
- HOSES
- METAL PIPES AND FITTINGS
- MEASUREMENT, REGULATION AND FILTRATION
- PUMPS, PRESSURE TANKS AND ACCESSORIES
- TANKS
- CLIMATE

### Tefen Dosing pump, type MixRite 2.5 On/Off PVDF

All units have a standard hydraulic On/Off and Internal By-Pass (I.B.P) systems. The IBP allows the fertilizer/acid mix to be mixed at the outlet of the pump and not inside, hence preventing the possibility of the pump clogging due to mixing reactions. Every unit comes with a suction tube, mounting bracket, a multilanguage manual and a seal kit.

The suction tube length is 1.5m long.

The PVDF models are to be used with acids mixes with concentrations higher than 10%.

For a complete overview and more information on the chemical compatibility table please consult with us.

Connection : male thread x hose tail x male thread



**TEFEN**  
FLOW & DOSING TECHNOLOGIES

PART NO.	SIZE	ADJUSTABLE MIXTURE	FLOW RANGE	REC. PRESS.	MATERIAL SEAL
7028774	3/4" x 10 mm x 3/4"	0,3 - 2%	7 - 2500 ltr/h	0.2 - 8.0 bar	aflas
7028775	3/4" x 16 mm x 3/4"	0,4 - 4%	7 - 2500 ltr/h	0.2 - 8.0 bar	aflas

# MEASUREMENT, REGULATION AND FILTRATION

## Water Filters and Accessories



**Hydro-S cartridge**  
Filtration: 60 micron



PART NO.	SUITABLE FOR
7028250	5" filter



**Hydro-S cartridge**  
Filtration: 20 micron



PART NO.	SUITABLE FOR
7028251	5" filter



**Hydro-S cartridge**  
Filtration: 60 micron



PART NO.	SUITABLE FOR
7028255	10" filter



**Hydro-S cartridge**  
Filtration: 20 micron



PART NO.	SUITABLE FOR
7028256	10" filter



**Hydro-S cartridge**  
Filtration: 20 micron



PART NO.	SUITABLE FOR
7028260	10" filter



**Hydro-S plastic water filter 5" with cartridge**  
Connection: female thread  
Material : plastic



PART NO.	SIZE	FILTRATION micron
7028248	3/4"	60
7028249	1"	60



**Cartridge filter 10"**  
Connection: female thread  
Material : plastic

PART NO.	SIZE	FILTRATION micron
7028253	3/4"	60
7028254	1"	60



**Small filter washes**  
Connection: female thread  
Material : plastic

PART NO.	SIZE	FILTRATION micron
7028258	1 1/4"	60
7028259	1 1/2"	60

# Screen, Disc and Sand Filters

## Amiad Manual filter, type Super

Comes with an exhaust/drain valve.

Connection : male thread  
 Material : POM  
 Material filter element: stainless steel gauze  
 Pressure : 10 bar  
 Backflush Outlet : 3/4 "

PART NO.	SIZE	CAPACITY m <sup>3</sup> /h	FILTRATION micron	FILTER AREA m <sup>2</sup>
7028303	3/4"	4	130	0.014

## Amiad Manual filter, type Super

Comes with an exhaust/drain valve.

Connection : male thread  
 Material : PP  
 Material filter element: stainless steel gauze  
 Pressure : 10 bar  
 Backflush Outlet : 3/4 "

PART NO.	SIZE	CAPACITY m <sup>3</sup> /h	FILTRATION micron	FILTER AREA m <sup>2</sup>
7028304	1"	7	130	0.02

## Amiad Manual filter, type Super

Comes with an exhaust/drain valve.

Connection : male thread  
 Material : PP  
 Material filter element: stainless steel gauze  
 Pressure : 10 bar  
 Backflush Outlet : 3/4 "

PART NO.	SIZE	CAPACITY m <sup>3</sup> /h	FILTRATION micron	FILTER AREA m <sup>2</sup>
7028306	1,5"	15	130	0.046

## Amiad Manual filter, type T-Super

Comes with an exhaust/drain valve, a pressure check point and a gauge port.

Connection : male thread  
 Material : PA  
 Material filter element: stainless steel gauze  
 Pressure : 10 bar  
 Backflush Outlet : 3/4 "

PART NO.	SIZE	CAPACITY m <sup>3</sup> /h	FILTRATION micron	FILTER AREA m <sup>2</sup>
7028308	2"	35	130	0.12



# MEASUREMENT, REGULATION AND FILTRATION

## Screen, Disc and Sand Filters



### Amiad Manual filter, type T

Comes with an exhaust/drain valve, a pressure check point and a gauge port.

Connection : male thread  
 Material : PA  
 Material filter element: stainless steel gauze  
 Pressure : 10 bar  
 Backflush Outlet : 3/4 "



PART NO.	SIZE	CAPACITY m <sup>3</sup> /h	FILTRATION micron	FILTER AREA m <sup>2</sup>
7028310	3"	60	130	0.12



### Amiad Semi-Automatic filter, type Scanaway

Comes with a clogging indicator to indicate when cleaning is required (pressure differential pre-set value of 0.5 bar).

Comes with an exhaust/drain valve.

Minimum working pressure: 2.0 bar.

Advised for filtration up to 200 micron, for higher filtration use Brushaway.



Connection : male thread  
 Material filter element: stainless steel  
 Material : PP  
 Pressure : 10 bar  
 Backflush Outlet : 1 1/2 "

PART NO.	SIZE	CAPACITY m <sup>3</sup> /h	FILTRATION micron	FILTER AREA m <sup>2</sup>	TYPE
7028300	2"	50	130	0.08	T
7028301	2"	50	130	0.12	Super
7028302	3"	50	130	0.12	T

### Amiad Automatic filter, type Mini Sigma On-line

The Amiad Mini Sigma for online installations.

The Amiad ADI-P 12VDC controller with a 2W-Latch solenoid allows the user to monitor and control the filter from the Amiad app on your mobile via Bluetooth.

The app will provide the following information:

- DP and flush cycle counters.
- Alerts (low/high pressures) and low battery.
- Reports and performance history data.

Self-cleaning cycle is triggered by an integrated DP switch which is initiated by: a Pre-set 0.5 signal from DP switch, a time interval or a manual start.

Flushing time of 10 seconds.

Delivered with 1.5" flush valve.

Connection : male thread  
 Material : fibreglass-reinforced nylon  
 Material filter element: stainless steel gauze  
 Pressure : 8 bar  
 Backflush Outlet : 1 1/2 "

PART NO.	SIZE	CAPACITY m <sup>3</sup> /h	BACKFLUSH FLOW RATE m <sup>3</sup> /h	FILTRATION micron	FILTER AREA m <sup>2</sup>	VOLTAGE
7028312	2"	25	8,7	130	1.2	9-12VDC latch



### Amiad Automatic filter, type Mini Sigma On-line

The Amiad Mini Sigma for online installations.

The Amiad ADI-P 12VDC controller with a 2W-Latch solenoid allows the user to monitor and control the filter from the Amiad app on your mobile via Bluetooth.

The app will provide the following information:

- DP and flush cycle counters.
- Alerts (low/high pressures) and low battery.
- Reports and performance history data.

Self-cleaning cycle is triggered by an integrated DP switch which is initiated by: a Pre-set 0.5 signal from DP switch, a time interval or a manual start.

Flushing time of 10 seconds.

Delivered with 1.5" flush valve.

Connection : flange  
 Material : fibreglass-reinforced nylon  
 Material filter element: stainless steel gauze  
 Pressure : 8 bar  
 Backflush Outlet : 1 1/2 "

PART NO.	SIZE	CAPACITY m <sup>3</sup> /h	BACKFLUSH FLOW RATE m <sup>3</sup> /h	FILTRATION micron	FILTER AREA m <sup>2</sup>	VOLTAGE	MODEL
7028313	DN80	50	9,6	130	1.6	9-12VDC latch	1 x 3" filter
7028314	DN100	80	10,0	130	2.4	9-12VDC latch	1 x 4" filter



# MEASUREMENT, REGULATION AND FILTRATION

## Screen, Disc and Sand Filters



### Amiad Automatic filter, type Mini Sigma Angle

Amiad's Mini Sigma for Angle installations.

Amiad's ADI-P 12VDC controller with a 2W-Latch solenoid allows the user to monitor and control the filter from the Amiad's app on your mobile via Bluetooth.

The app will provide the following information:

- DP and flush cycle counters.
- Alerts (low/high pressures) and low battery.
- Reports and performance history data.

Self-cleaning cycle is triggered by an integrated DP switch which is initiated by: a Pre-set 0.5 signal from DP switch, a time interval or a manual start.

Flushing time of 10 seconds.

Delivered with 1.5" flush valve.

Connection : male thread  
 Material : fibreglass-reinforced nylon  
 Material filter element: stainless steel gauze  
 Pressure : 8 bar  
 Backflush Outlet : 1 1/2 "

PART NO.	SIZE	CAPACITY m <sup>3</sup> /h	FILTRATION micron	FILTER AREA m <sup>2</sup>	VOLTAGE
7028315	2"	25	130	1.2	9-12VDC latch



### Amiad Automatic filter, type Mini Sigma Angle

Amiad's Mini Sigma for Angle installations.

Amiad's ADI-P 12VDC controller with a 2W-Latch solenoid allows the user to monitor and control the filter from the Amiad's app on your mobile via Bluetooth.

The app will provide the following information:

- DP and flush cycle counters.
- Alerts (low/high pressures) and low battery.
- Reports and performance history data.

Self-cleaning cycle is triggered by an integrated DP switch which is initiated by: a Pre-set 0.5 signal from DP switch, a time interval or a manual start.

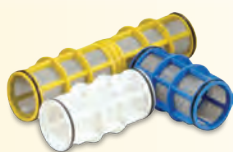
Flushing time of 10 seconds.

Delivered with 1.5" flush valve.

Connection : flange  
 Material : fibreglass-reinforced nylon  
 Material filter element: stainless steel gauze  
 Pressure : 8 bar  
 Backflush Outlet : 1 1/2 "

PART NO.	SIZE	CAPACITY m <sup>3</sup> /h	FILTRATION micron	FILTER AREA m <sup>2</sup>	VOLTAGE
7028316	DN80	50	130	1.6	9-12VDC latch
7028317	DN100	80	130	2.4	9-12VDC latch





### Amiad Screen insert, type Manual

Material: stainless steel



PART NO.	SIZE	FILTRATION micron	COLOUR
7028336	3/4"	50	orange
7028337	3/4"	80	black
7028338	3/4"	100	yellow
7028339	3/4"	130	red
7028340	3/4"	200	white
7028341	3/4"	300	blue
7028342	3/4"	500	green
7028343	1"	50	orange
7028344	1"	80	black
7028345	1"	100	yellow
7028346	1"	130	red
7028347	1"	200	white
7028348	1"	300	blue
7028349	1"	500	green
7028352	1 1/2"	50	orange
7028353	1 1/2"	80	black
7028354	1 1/2"	100	yellow
7028355	1 1/2"	130	red
7028356	1 1/2"	200	white
7028357	1 1/2"	300	blue
7028358	1 1/2"	500	green

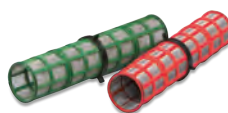


### Amiad Screen insert, type Manual & Scanaway

Material: stainless steel



PART NO.	SIZE	FILTRATION micron	COLOUR
7028361	2"-3"	50	orange
7028362	2"-3"	80	black
7028363	2"-3"	100	yellow
7028364	2"-3"	130	red
7028365	2"-3"	200	white
7028366	2"-3"	300	blue
7028367	2"-3"	500	green



### Amiad Screen insert, type Mini Sigma

Material: stainless steel



PART NO.	SIZE	FILTRATION micron	COLOUR
7028318	2"	80	black
7028319	2"	100	yellow
7028320	2"	130	red
7028321	2"	200	white
7028322	2"	300	blue
7028323	2"	500	green
7028324	3"	80	black
7028325	3"	100	yellow
7028326	3"	130	red
7028327	3"	200	white
7028328	3"	300	blue
7028329	3"	500	green
7028330	4"	80	black
7028331	4"	100	yellow
7028332	4"	130	red
7028333	4"	200	white
7028334	4"	300	blue
7028335	4"	500	green

# MEASUREMENT, REGULATION AND FILTRATION

## Screen, Disc and Sand Filters



### Tavlit Manual filter, type Adir

Comes with pressure check points, gauge port and exhaust/drain valve.

Connection : male thread  
 Material : fibreglass-reinforced nylon  
 Material filter element: stainless steel gauze  
 Pressure : 10 bar  
 Backflush Outlet : 3/4 "



PART NO.	SIZE	CAPACITY m <sup>3</sup> /h	FILTRATION micron	FILTER AREA m <sup>2</sup>
7028563	1"	8	120	0.043
7028565	1 1/2"	15	120	0.043



### Tavlit Manual filter, type Adir T

Comes with pressure check points, gauge port and exhaust/drain valve.

Connection : male thread  
 Material : fibreglass-reinforced nylon  
 Material filter element: stainless steel gauze  
 Pressure : 10 bar  
 Backflush Outlet : 1 "



PART NO.	SIZE	CAPACITY m <sup>3</sup> /h	FILTRATION micron	FILTER AREA m <sup>2</sup>
7028567	2"	25	120	0.095
7028569	3"	50	120	0.095



### Tavlit Semi-Automatic filter, type Adir Super

Standard 2 action cleaning system.

Comes with a standard pressure DP indicator that shows the user that the filter is dirty and needs flushing (preset value set to 0.5b).

Flushing is performed by opening the drain valve and roating the handle.

During flushing, the flow to the field is uninterrupted.

Minimum flushing pressure required: 2bar.

Flushing flow rate: 2bar = 5.4m<sup>3</sup>/h, 3bar = 6.8m<sup>3</sup>/h.

We recommend to install a manual valve (open/close) in the upstream.

Connection : male thread  
 Material : fibreglass-reinforced nylon  
 Material filter element: stainless steel gauze  
 Pressure : 10 bar  
 Backflush Outlet : 1 "



PART NO.	SIZE	CAPACITY m <sup>3</sup> /h	FILTRATION micron	FILTER AREA m <sup>2</sup>
7028551	2"	25	120	0.95
7028552	3"	50	120	0.95

### Tavlit Screen insert, type Adir

Material: stainless steel

PART NO.	SIZE	FILTRATION micron	COLOUR
7028599	1" - 1 1/2"	200	blue
7028600	1" - 1 1/2"	120	red
7028601	1" - 1 1/2"	90	green
7028602	1" - 1 1/2"	70	violet
7028603	2" - 3"	200	blue
7028604	2" - 3"	120	red
7028605	2" - 3"	90	green
7028606	2" - 3"	70	violet



### Yamit In-line filter, series 200

All filters have a 3/4" male drain outlet. Drain valve is used for releasing pressure before opening for maintenance.

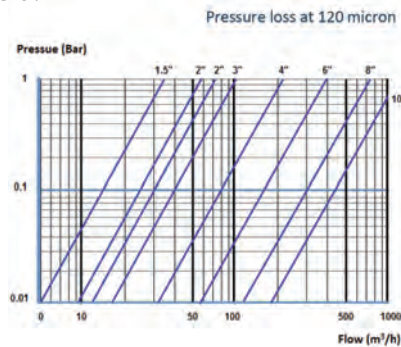
Applications: manual Screen Filter is used in conjunction with sand separators and media filter arrays as a control filter, back up filter in the field.

Connection : flange

Material : carbon steel ST37.2

Pressure : 8 bar

Surface treatment: epoxy coating



PART NO.	SIZE	CAPACITY m <sup>3</sup> /h	FILTRATION micron	TYPE
7024319	DN50	25	120	F220
7024320	DN50	30	120	F222
7024321	DN80	40	120	F230
7024322	DN100	80	120	F240

# MEASUREMENT, REGULATION AND FILTRATION

## Screen, Disc and Sand Filters



YAMIT  
FILTRATION



### Yamit Automatic hydraulic filter, series AF200

Available also in 100 micron screen. Please consult with us. 6VDC system can be easily changed to 12VDC.

Operation: cleaning of the screen is performed automatically once the pressure loss across the filter has reached the preset value up to 0.5 bar.

Minimum operating working pressure during flushing: 2 bar.

Flushing: The flushing cycle takes 5 seconds. The flushing valve closes at the end of the cycle, pressure reapplied to the piston, moving the nozzles back to their rest position, and the filter is cleaned. During the whole process water supply is uninterrupted.

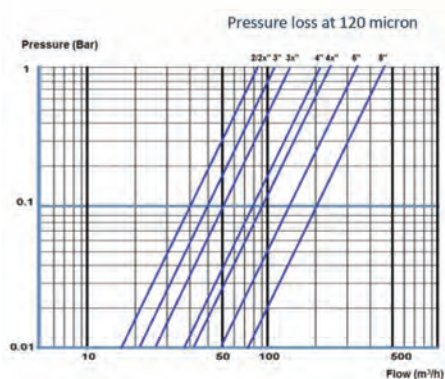
Application: primary filter installed at the main control head.

Connection : flange

Material : carbon steel ST37.2

Pressure : 10 bar

Surface treatment: epoxy coating



PART NO.	SIZE	CAPACITY m <sup>3</sup> /h	BACKFLUSH FLOW RATE m <sup>3</sup> /h	FILTRATION micron	FILTER AREA m <sup>2</sup>	VOLTAGE	TYPE
7028770	DN50	30	6	120	1.1	6VDC	AF202
7027378	DN80	40	6	120	1.1	6VDC	AF203
7024330	DN80	40	6	120	1.1	24VAC	AF203
7028771	DN80	50	6	120	1.63	6VDC	AF203S
7027379	DN100	80	6	120	1.63	6VDC	AF204
7024331	DN100	80	6	120	1.63	24VAC	AF204

### Yamit Automatic hydraulic filter, series AF800

Available also in 100 micron screen. Please consult with us.  
6VDC system can be easily changed to 12VDC.

The filters are equipped with a coarse screen that protects the finer screen from stones and larger particles. The coarse screen can be manually cleaned periodically.

Operation: cleaning of the screen is performed automatically once the pressure loss across the filter has reached the preset value up to 0.5 bar.

Minimum operating working pressure during flushing: 2 bar.

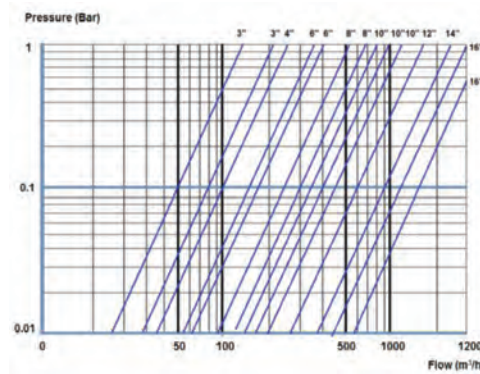
Flushing: The flushing cycle takes 5 seconds. The flushing valve closes at the end of the cycle, pressure is reapplied to the piston which moves the nozzles back to their rest position, and the filter is cleaned. During the whole process water supply is uninterrupted.

Applications: primary filter installed at the main control head.

Connection : flange  
Material : carbon steel ST37.2  
Pressure : 10 bar  
Surface treatment: epoxy coating



YAMIT  
FILTRATION



PART NO.	SIZE	CAPACITY m <sup>3</sup> /h	BACKFLUSH FLOW RATE m <sup>3</sup> /h	FILTRATION micron	FILTER AREA m <sup>2</sup>	VOLTAGE	TYPE
7024328	DN100	80	30	120	5.78	6VDC	AF804NL
7027376	DN100	80	30	120	5.78	24VAC	AF804NL
7024329	DN150	160	30	120	8.41	6VDC	AF806NX
7027377	DN150	160	30	120	8.41	24VAC	AF806NX

# MEASUREMENT, REGULATION AND FILTRATION

## Screen, Disc and Sand Filters



### Amiad Manual filter, type Disc Super

Comes with an exhaust/drain valve.

Connection : male thread  
 Material : PP  
 Material filter element: disc  
 Pressure : 10 bar  
 Backflush Outlet : 3/4 "



PART NO.	SIZE	CAPACITY m <sup>3</sup> /h	FILTRATION micron	FILTER AREA m <sup>2</sup>
7028305	1"	7	130	0.02
7028307	1,5"	15	130	0.046



### Amiad Manual filter, type Disc T-Super

Comes with an exhaust/drain valve, a pressure check point and a gauge port.

Connection : male thread  
 Material : PA  
 Material filter element: disc  
 Pressure : 10 bar  
 Backflush Outlet : 3/4 "



PART NO.	SIZE	CAPACITY m <sup>3</sup> /h	FILTRATION micron	FILTER AREA m <sup>2</sup>
7028309	2"	35	130	0.12



### Amiad Manual filter, type Disc T

Comes with an exhaust/drain valve, a pressure check point and a gauge port.

Connection : male thread  
 Material : PA  
 Material filter element: disc  
 Pressure : 10 bar  
 Backflush Outlet : 3/4 "



PART NO.	SIZE	CAPACITY m <sup>3</sup> /h	FILTRATION micron	FILTER AREA m <sup>2</sup>
7028311	3"	60	130	0.12



### Amiad Disc insert, type Manual

PART NO.	SIZE	FILTRATION micron	COLOUR
7028350	1"	100	yellow
7028351	1"	130	red
7028359	1 1/2"	100	yellow
7028360	1 1/2"	130	red
7028368	2"-3"	100	yellow
7028369	2"-3"	130	red



### Tavlit Manual filter, type Adir

Comes with pressure check points, gauge port and exhaust/drain valve.

Connection : male thread  
 Material : fibreglass-reinforced nylon  
 Material filter element: disc  
 Pressure : 10 bar  
 Backflush Outlet : 3/4 "

PART NO.	SIZE	CAPACITY m <sup>3</sup> /h	FILTRATION micron	FILTER AREA m <sup>2</sup>
7028564	1"	8	120	0.05
7028566	1 1/2"	15	120	0.05

### Tavlit Manual filter, type Adir T

Comes with pressure check points, gauge port and exhaust/drain valve.

Connection : male thread  
 Material : fibreglass-reinforced nylon  
 Material filter element: disc  
 Pressure : 10 bar  
 Backflush Outlet : 3/4 "

PART NO.	SIZE	CAPACITY m <sup>3</sup> /h	FILTRATION micron	FILTER AREA m <sup>2</sup>
7028568	2"	25	120	1.025
7028570	3"	50	120	1.025

### Tavlit Semi-Automatic filter, type Adir One-Action

One Action cleaning saves water as the water used for flushing the discs is filtered with an internal screen and put back in the system.

Comes with a standard pressure indicator that shows the user that the filter is dirty and needs flushing (preset value set to 0.5b).

Flushing is performed simply by turning the operation handle ¼ of a turn for 20 seconds.

During flushing, the flow to the field is uninterrupted.

Minimum flushing pressure required: 2bar.

Flushing flow rate: 2bar = 9.3m<sup>3</sup>/h, 3bar = 12m<sup>3</sup>/h.

When the filter is clean after flushing, the user needs to flush the secondary port by opening the service valve for 10 seconds.

We recommend to install a manual valve (open/close) in the upstream.

Connection : male thread  
 Material : fibreglass-reinforced nylon  
 Material filter element: disc  
 Pressure : 10 bar

PART NO.	SIZE	CAPACITY m <sup>3</sup> /h	FILTRATION micron	FILTER AREA m <sup>2</sup>
7028549	2"	25	120	1.025
7028550	3"	50	120	1.025





# MEASUREMENT, REGULATION AND FILTRATION

## Screen, Disc and Sand Filters



### Tavlit Automatic filter station, type TAD

TAD automatic disc filtration station.

When the head loss reaches a preset value of 0.5b-0.7b, the controller start flushing one filter after the other.

Flushing cycle will take from 12 to 30 seconds, depending on the dirt load.

During flushing, the flow to the field is uninterrupted.

Minimum flushing pressure required: 2.5bar.

Flushing flow rate: 9.3m<sup>3</sup>/h.

Components: Talgil controller, Bermad backflush valves and PE manifolds.

Configuration: Parallel with downstream (outlet) on the opposite side of the upstream (inlet).

For special configurations or components please contact us.

Connection : flange

Material : fibreglass-reinforced nylon

Material filter element: disc

Pressure : 10 bar

PART NO.	SIZE	CAPACITY m <sup>3</sup> /h	FILTRATION micron	FILTER AREA m <sup>2</sup>	VOLTAGE	MODEL
7028571	DN90	40	100	2.2	9-12VDC latch	2 x 2" filter
7028572	DN110	60	100	3.3	9-12VDC latch	3 x 2" filter
7028573	DN160	80	100	4.4	9-12VDC latch	4 x 2" filter
7028574	DN160	100	100	5.5	9-12VDC latch	5 x 2" filter
7028575	DN160	120	100	6.6	9-12VDC latch	6 x 2" filter
7028576	DN110	60	100	2.2	9-12VDC latch	2 x 3" filter
7028577	DN160	90	100	3.3	9-12VDC latch	3 x 3" filter
7028578	DN160	120	100	4.4	9-12VDC latch	4 x 3" filter
7028579	DN200	150	100	5.5	9-12VDC latch	5 x 3" filter
7028580	DN200	180	100	6.6	9-12VDC latch	6 x 3" filter



### Tavlit Automatic filter station, type TVD

TVD patented automatic disc filtration saves water and energy by using air in addition to water in the flushing process.

The venturi devices that are inserted at the spine's inlets introduce air during the flushing process to enhance it.

The mixture of air and water enables a more efficient and shorter flushing, therefore saving water, enabling flushing at a low pressure of 1.5 bar and shortening the flushing time.

The use of air also cushions the discs, thereby reducing friction and prolonging the life of the disc element.

When the head loss reaches a preset value of 0.5b-0.7b, the controller will start flushing one filter after the other.

Flushing cycle will take from 12 to 30 seconds, depending on the dirt load.

During flushing, the flow to the field is uninterrupted.

Minimum flushing pressure required: 1.5bar.

Flushing flow rate at 1.5bar: 6.5m<sup>3</sup>/h.

Components: Talgil controller, Bermad backflush and air valves and PE manifolds.

Configuration: Parallel with downstream (outlet) on the opposite side of the upstream (inlet).

For special configurations or components please contact us.

Connection : flange

Material : fibreglass-reinforced nylon

Material filter element: disc

Pressure : 10 bar

PART NO.	SIZE	CAPACITY m <sup>3</sup> /h	FILTRATION micron	FILTER AREA m <sup>2</sup>	VOLTAGE	MODEL
7028581	DN90	40	100	2.2	9-12VDC latch	2 x 2" filter
7028582	DN110	60	100	3.3	9-12VDC latch	3 x 2" filter
7028583	DN160	80	100	4.4	9-12VDC latch	4 x 2" filter
7028584	DN160	100	100	5.5	9-12VDC latch	5 x 2" filter
7028585	DN160	120	100	6.6	9-12VDC latch	6 x 2" filter
7028586	DN110	60	100	2.2	9-12VDC latch	2 x 3" filter
7028587	DN160	90	100	3.3	9-12VDC latch	3 x 3" filter
7028588	DN160	120	100	4.4	9-12VDC latch	4 x 3" filter
7028589	DN200	150	100	5.5	9-12VDC latch	5 x 3" filter
7028590	DN200	180	100	6.6	9-12VDC latch	6 x 3" filter

### Talvit Disc insert, type Adir

PART NO.	SIZE	FILTRATION micron	COLOUR
7028607	1" - 1 1/2"	425	blue
7028608	1" - 1 1/2"	200	yellow
7028609	1" - 1 1/2"	120	red
7028610	1" - 1 1/2"	105	black



# MEASUREMENT, REGULATION AND FILTRATION

## Screen, Disc and Sand Filters



YAMIT  
FILTRATION



### Yamit Sand filter, F600 series

Equipped with "mushroom" diffusers with vertical openings of 0.35mm.

For filtration stations, stations on skid and electronic controllers (AC or DC) please consult with us.

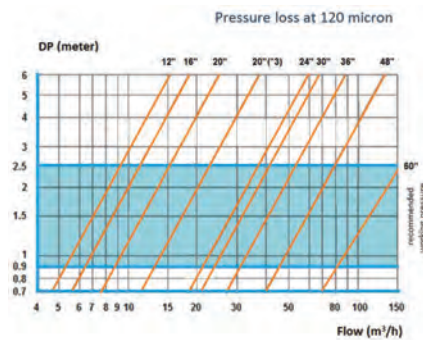
Flushing: 60 seconds and up to 75% of the flow is needed for flushing. Flushing is activated by the electronic controller once the pressure loss ( $\Delta P$ ) across the filter has reached the preset value or time setting.

Filtration size: this is influenced by the flow velocity through the filter. Normal design velocity should be 65 - 70 m/hour through the tank.

Media: the gravel media for the filters should be in a layer of precisely 40 cm depth.

Applications: primary filter installed at the main control head, ideal for waters with high contamination of organic material and/or algae.

- Connection : male thread
- Material : carbon steel ST37.2
- Pressure : 8 bar
- Surface treatment: epoxy coating



PART NO.	CAPACITY m <sup>3</sup> /h	DIAMETER mm	SAND kg	TYPE	D	SIZE D1	H mm	H1 mm	H2 mm
7024310	5	310	50	F605	1"	12"	150	785	1160
7024311	9	400	75	F610	1,5"	16"	180	870	1175
7024312	13.5	500	125	F620	2"	20"	180	880	1280
7024313	13.5	500	125	F630M	3"	20"	180	880	1280
7024314	20	630	175	F635	2"	24"	180	880	1285

### Yamit Sand filter, F600 series

Equipped with "mushroom" diffusers with vertical openings of 0.35mm.  
For filtration stations, stations on skid and electronic controllers (AC or DC) please consult with us.

Flushing: 60 seconds and up to 75% of the flow is needed for flushing. Flushing is activated by the electronic controller once the pressure loss ( $\Delta P$ ) across the filter has reached the preset value or time setting.

Filtration size: this is influenced by the flow velocity through the filter. Normal design velocity should be 65 - 70 m/hour through the tank.

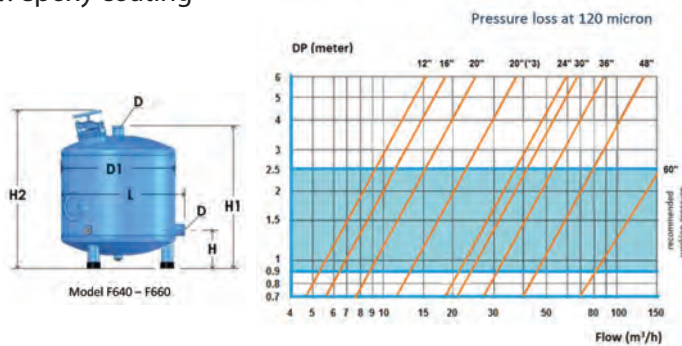
Media: the gravel media for the filters should be in a layer of precisely 40 cm depth.

Applications: primary filter installed at the main control head, ideal for waters with high contamination of organic material and/or algae.

- Connection : flange
- Material : carbon steel ST37.2
- Pressure : 8 bar
- Surface treatment: epoxy coating



YAMIT  
FILTRATION



PART NO.	CAPACITY m <sup>3</sup> /h	DIAMETER mm	SAND kg	TYPE	D	SIZE D1	H mm	H1 mm	H2 mm
7024315	30	800	300	F640	3"	30"	300	1070	1197
7024316	44	900	400	F650	3"	36"	300	1110	1242
7024317	79	1260	575	F660	4"	48"	330	1110	1189
7024318	150	1500	1000	F680	4"	60"	440	1420	1515

# MEASUREMENT, REGULATION AND FILTRATION

## Screen, Disc and Sand Filters



YAMIT  
FILTRATION



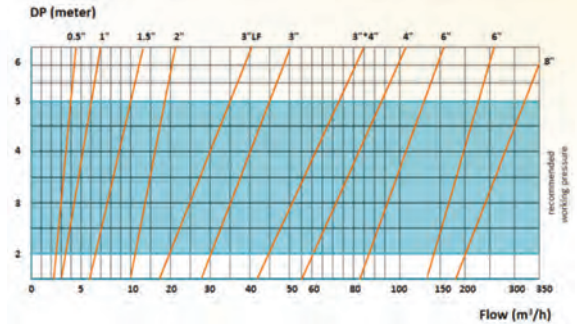
### Yamit Hydrocyclone sand separator, series 700

Inlet is tangential to the body, equipped with anti-vacuum valve. To operate correctly, the head loss must remain between 2-5 meter.

Cleaning: The sedimentation tank is drained by opening a flush valve for a few seconds manually or automatically by timer.

Applications: used as Sand Separator, installed usually in well water installations.

Connection	: flange
Material	: carbon steel ST37.2
Pressure	: 10 bar
Surface treatment	: epoxy coating



PART NO.	SIZE	CAPACITY m³/h	TYPE
7024323	DN80	45	F750
7024324	DN80 x DN100	73	F755
7024325	DN100	93	F760



YAMIT  
FILTRATION



### Yamit Semi-automatic compact suction filter, series SA500C

Available also in 100 micron screen. Please consult with us.

6VDC system can be easily changed to 12VDC.

The filters are equipped with a coarse screen that protects the finer screen from stones and larger particles. The coarse screen can be cleaned manually periodically.

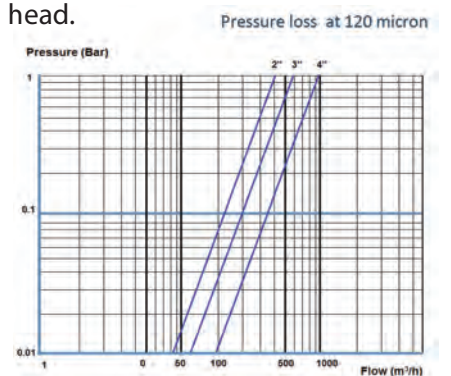
Operation: cleaning of the screen is performed automatically once the pressure loss ( $\Delta P$ ) across the filter has reached the preset value up to 0.5 bar.

Minimum operating working pressure during flushing: 2 bar.

Flushing: The flushing cycle takes 5 seconds. The flushing valve closes at the end of the cycle, pressure reapplied to the piston, moving the nozzles back to their rest position, and the filter is cleaned. During the whole process water supply is uninterrupted.

Applications: primary filter installed at the main control head.

Connection	: flange
Material	: carbon steel ST37.2
Pressure	: 10 bar
Surface treatment	: epoxy coating



PART NO.	SIZE	CAPACITY m³/h	FILTRATION micron	BACKFLUSH FLOW RATE m³/h	TYPE
7024326	DN80	45	120	8	SA503C
7024327	DN100	80	120	10	SA504C



DRINKERS

PLASTIC PRESSURE PIPING SYSTEMS

FASTENERS AND ADHESIVES

CLAMPS

METAL VALVES

COUPLINGS AND ACCESSORIES

HOSES

METAL PIPES AND FITTINGS

MEASUREMENT, REGULATION AND FILTRATION

PUMPS, PRESSURE TANKS AND ACCESSORIES

TANKS

CLIMATE

**Filter sand**

1 pallet sealed: 40 bags.

PART NO.	SIZE mm	PACKAGE QUANTITY
0892153	0,4 - 0,8	25kg
0892154	0,71 - 1,25	25kg
0892157	1,0 - 1,6	25kg
0892158	2,0 - 3,15	25kg







# PUMPS, PRESSURE TANKS AND ACCESSORIES

Jet Pumps

Centrifugal Pumps

Deep Well & Submersible Pumps

Pressure Sets

Pressure Tanks

Float Valves

Compressors

DRINKERS

PLASTIC PRESSURE  
PIPING SYSTEMS

FASTENERS AND  
ADHESIVES

CLAMPS

METAL VALVES

COUPLINGS AND  
ACCESSORIES

HOSES

METAL PIPES AND  
FITTINGS

MEASUREMENT, REGULATION  
AND FILTRATION

PUMPS, PRESSURE TANKS  
AND ACCESSORIES

TANKS

CLIMATE

# PUMPS, PRESSURE TANKS AND ACCESSORIES

## Jet Pumps



### Foras jet pump, type JA

#### Specifications:

Jet type self-priming electric pumps for suction up to 7-8 metres deep.

Motor sealed auto-ventilated.

Max. pressure: 6 bar

Water temperature: max. 40°C

These pumps are ready for installation by a qualified electrician.

Connection : female thread  
 Pump body : cast iron  
 Shaft : stainless steel 316  
 Colour : blue  
 Material impeller : noryl

PART NO.	TYPE	VOLTAGE
0920208	JA 150	230VAC
0920214	JA 150 T	230/400VAC
0920209	JA 200	230VAC
0920215	JA 200 T	230/400VAC
0920210	JA 300	230VAC
0920216	JA 300 T	230/400VAC

JA 150-300							Q (m <sup>3</sup> /h - l/min)										
Part nr.	Type	Voltage 50Hz	P2		I (A)	H (m)											
			(HP)	(kW)		0	1,2	1,8	3	4,2	5,4	6,6	7,8	8,4			
0920208	JA 150 M	230V	1,5	1,10	7,9	0	20	30	50	70	90	110	130	140	-	-	-
0920209	JA 200 M	230V	2,2	1,65	10,3	0	20	30	50	70	90	110	130	140	-	-	-
0920210	JA 300 M	230V	3,0	2,20	4,9	0	20	30	50	70	90	110	130	140	-	-	-
0920214	JA 150 T	230/400V	1,5	1,10	3,3	0	20	30	50	70	90	110	130	140	-	-	-
0920215	JA 200 T	230/400V	2,2	1,65	3,9	0	20	30	50	70	90	110	130	140	-	-	-
0920216	JA 300 T	230/400V	3,0	2,20	4,9	0	20	30	50	70	90	110	130	140	-	-	-



### Foras Jet pump, type JA

Pump will be supplied with cable and DIN plug.

Connection : female thread  
 Pump body : cast iron  
 Shaft : stainless steel 316L  
 Colour : blue  
 Material impeller : noryl



PART NO.	TYPE	VOLTAGE
7027861	JA 100 N	230VAC
7027862	JA 120	230VAC
7027863	JA 140	230VAC
7028778	JA 100 NT	230/400VAC
7028779	JA 120 T	230/400VAC
7028780	JA 140 T	230/400VAC

JA 100N - 140						Q (m <sup>3</sup> /h - l/min)							
Part nr.	Type	Voltage 50Hz	P2		I (A)	H (m)							
			(HP)	(kW)		0	0.6	1.2	1.8	2.4	3	3.6	4.2
7027861	JA100N	230V	1.0	0.74	4.7	51	45	39	34	30	26	23	20
7027862	JA120	230V	1.2	0.88	5.2	55	48	43	38	33	30	26	23
7027863	JA140	230V	1.5	1.1	6.0	62	56	49	44	39	36	32	28
7028778	JA100NT	230/400V	1.0	0.74	1.7	51	45	39	34	30	26	23	20
7028779	JA120T	230/400V	1.2	0.88	1.9	55	48	43	38	33	30	26	23
7028780	JA140T	230/400V	1.5	1.1	2.5	62	56	49	44	39	36	32	28

### Foras jet pump, type JXF

Pump will be supplied with cable and DIN plug.

UK / DIN plug included for UK deliveries

Connection : female thread  
 Pump body : stainless steel  
 Shaft : stainless steel 316  
 Colour : blue  
 Material impeller : noryl



PART NO.	TYPE	VOLTAGE
0920192	JXF 85	230VAC
0920193	JXF 105	230VAC

JXF 85-105						Q (m <sup>3</sup> /h - l/min)						
Part nr.	Type	Voltage 50Hz	P2		I (A)	H (m)						
			(HP)	(kW)		0	0.6	1.2	1.8	2.4	3	
0920192	JX 85 G M	230V	0,8	0,59	3,7	48,5	39	32	22,4	7,6	-	-
0920193	JX 105 G M	230V	1,0	0,74	4,6	50,0	43	38	32,0	28,0	21	-

# PUMPS, PRESSURE TANKS AND ACCESSORIES

## Jet Pumps



### Foras horizontal multi-stage pump, type Plus 3S

Stainless steel multistage horizontal pumps. Pumping of clean non-loaded fluids in the domestic, agricultural and industrial sectors; pressurising systems; irrigation; drinking and glycol water; water treatment; food industry; heating and air conditioning; washing system. Maximum liquid temperature: from -15 up to 110 °C

Ambient temperature: max 40 °C.

Insulation class F; protection IP 44.

Connection : female thread  
 Pump body : stainless steel 304  
 Shaft : stainless steel 303  
 Colour : blue  
 Material impeller : stainless steel 304

PART NO.	TYPE	VOLTAGE
0920600	P 3S-100/5 M	230VAC
0920601	P 3S-100/5 T	230/400VAC
0920602	P 3S-120/6 M	230VAC
0920603	P 3S-120/6 T	230/400VAC
0920604	P 3S-150/7 M	230VAC
0920605	P 3S-150/7 T	230/400VAC

P3S 100/5-150/7						Q (m³/h - l/min)						
Part nr.	Type	Voltage 50Hz	P2		I (A)	H (m)						
			(HP)	(kW)		0	0,6	1,2	1,8	2,4	3,6	4,8
0920600	P3S 100/5 M	230V	1,0	0,75	4,4	55,3	53,5	50,3	46,5	42,1	31,6	17,7
0920602	P3S 120/6 M	230V	1,2	0,90	5,1	66,6	64,4	60,8	56,0	50,7	38,1	22,4
0920604	P3S 150/7 M	230V	1,5	1,10	6,4	80,1	77,7	74,2	69,1	63,3	48,8	30,0
0920601	P3S 100/5 T	230/400V	1,0	0,75	1,7	55,3	53,5	50,3	46,5	42,1	31,6	17,7
0920603	P3S 120/6 T	230/400V	1,2	0,90	2,5	66,6	64,4	60,8	56,0	50,7	38,1	22,4
0920605	P3S 150/7 T	230/400V	1,5	1,10	2,7	80,1	77,7	74,2	69,1	63,3	48,8	30,0



### Cable with plug

PART NO.	TYPE	CABLE LENGTH m
0920285	3 x 1 mm <sup>2</sup> for pumps until 0,75kW	1.5
0920286	3 x 1,5mm <sup>2</sup> for pumps up to 1,5kW	1.5



### Mechanical seal

For the correct size please check the original seal set of your pump and the shaft diameter. (Diam.= external diameter x bore x width)

PART NO.	TYPE	TYPE
0992041	AR13	type A
0992043	FN18	type B
0992044	FN18	type F
0992048	FN20	type C
0992042	FN15	type D
0992040	AR12	type E
0992046	FN28	type H
7009029	AR40	type K
0992049	AR14	type L
7009028	FN14	type M
0992052	AR14	type N
7009030	FN15	type P



### Converter UK - DIN plug

PART NO.	TYPE
7012353	secured cover 10A fuse
7012354	open 13A fuse

# Centrifugal Pumps

## Foras Non-priming centrifugal pump, type KM

Mechanical seal

Oversized self-lubricating bearings

Sealed motor with external cooling

Electrical winding Class F Condenser - thermo - amperometric safety (only in mono).

The maximum water temperature is 90°C.

Connection : female thread

Pump body : cast iron

Shaft : stainless steel

Colour : blue

Material impeller : brass



PART NO.	TYPE	VOLTAGE
0920255	KM 80 M	230VAC
0920256	KM 100 M	230VAC
0920388	KM 164 M	230VAC
0920258	KM 214 M	230VAC
0920260	KM 100 T	230/400VAC
0920262	KM 214 T	230/400VAC
0920263	KM 314 T	230/400VAC

KM 80-314						Q (m <sup>3</sup> /h - l/min)									
Part nr.	Type	Voltage 50Hz	P2		I (A)	0	1,2	2,4	3,6	4,8	5,4	6,6	7,2	7,8	
			(HP)	(kW)		0	20	40	60	80	90	110	120	130	
						H (m)									
0920255	KM 80 M	230V	0,8	0,59	4,5	26,5	26,0	24,5	22,0	19,5	17,5	-	-	-	
0920256	KM 100 M	230V	1,0	0,74	5,7	33,0	32,5	31,5	29,5	27,0	25,0	-	-	-	
0920388	KM 160 M	230V	1,5	1,10	8,5	40,5	39,3	38,6	37,5	35,6	34,6	29,5	-	-	
0920258	KM 214 M	230V	2,2	1,65	10,3	45,1	44,1	43,3	42,3	40,5	39,2	36,4	33,5	-	
0920260	KM 100 T	230/400V	1,0	0,74	2,0	33,0	32,5	31,5	29,5	27,0	25,0	-	-	-	
0920262	KM 214 T	230/400V	2,2	1,65	4,9	50,0	48,7	47,8	46,5	44,9	43,7	41,3	39,4	-	
0920263	KM 314 T	230/400V	2,0	2,20	5,1	55,9	54,5	53,4	52,0	50,1	48,9	46,2	44,2	41,9	

## Foras centrifugal pump, type KM

Connection : female thread

Pump body : cast iron

Shaft : stainless steel

Colour : blue

Material impeller : brass



PART NO.	TYPE	VOLTAGE
0920264	KM 400/1 T	400/690VAC
0920265	KM 550/1 T	400/690VAC

KM 400-550						Q (m <sup>3</sup> /h - l/min)							
Part nr.	Type	Voltage 50Hz	P2		I (A)	0	3	6	9	12	15	18	21
			(HP)	(kW)		0	50	100	150	200	250	300	350
						H (m)							
0920264	KM 400 T	400/690V	4,0	3	6,8	47,0	46,7	45,8	44,2	41,5	38,0	33,5	-
0920265	KM 550 T	400/690V	5,5	4	9,6	56,5	56,5	56,5	56,0	54,5	51,8	47,9	42,5

# PUMPS, PRESSURE TANKS AND ACCESSORIES

## Centrifugal Pumps



### Foras centrifugal pump, type KB

Sealed motor protection class F.  
Water temperature 90°C.

Connection : female thread  
Pump body : cast iron  
Shaft : stainless steel  
Colour : blue  
Material impeller : brass

PART NO.	TYPE	VOLTAGE
0920275	KB 210 T	230/400VAC
0920276	KB 310 T	230/400VAC
0920277	KB 400 T	400/690VAC
0920278	KB 550 T	400/690VAC
0920279	KB 750 T	400/690VAC
0920280	KB 1000 T	400/690VAC
0920282	KB 1500 T	400/690VAC

KB 210-310						Q (m <sup>3</sup> /h - l/min)												
						0	0,6	1,2	1,8	2,4	3,6	4,8	6	7,2	8,4	9		
						0	10	20	30	40	60	80	100	120	140	150		
Part nr.	Type	Voltage 50Hz	P2		I	H (m)												
			(HP)	(kW)	(A)													
0920275	KB 210 T	230/400V	2	1,5	4,8	57,3	56,9	56	55,1	54,0	51,5	48,4	44,4	39,5	34,0	-		
0920276	KB 310 T	230/400V	3	2,2	5,2	64,0	63,5	63	61,9	60,6	57,7	54,1	50,0	45,4	39,4	36		

KB 400-550						Q (m <sup>3</sup> /h - l/min)												
						0	1,5	3	4,5	6	7,5	9	10,5	12	13,5	15		
						0	25	50	75	100	125	150	175	200	225	250		
Part nr.	Type	Voltage 50Hz	P2		I	H (m)												
			(HP)	(kW)	(A)													
0920277	KB 400 T	400/690V	4,0	3	7,9	66,9	65,2	63,3	61	58,4	55,2	51,5	47,8	44,3	40,1	-		
0920278	KB 550 T	400/690V	5,5	4	9,8	80,4	79,1	77,1	75	72,2	69,4	66,0	62,4	58,6	54,5	-		

KB 750-1500						Q (m <sup>3</sup> /h - l/min)											
						0	6	12	18	24	30	33	36				
						0	100	200	300	400	500	550	600				
Part nr.	Type	Voltage 50Hz	P2		I	H (m)											
			(HP)	(kW)	(A)												
0920279	KB 750 T	400/690V	7,5	5,5	15	77,0	74,6	70,5	62,8	51,6	36,0	-	-				
0920280	KB 1000 T	400/690V	10	7,5	17,2	86,4	84,8	80,7	74,3	64,0	50,2	40,4	-				
0920282	KB 1500 T	400/690V	15	11	20,4	98,7	97,6	94,2	87,6	78,2	65,6	57,5	40,9				

## Foras centrifugal pump, type MN

The pumps are supplied complete with counter flanges with female thread.  
Mechanical seal.

Maximum water temperature 90°C.

Connection : DIN flange  
Pump body : cast iron  
Shaft : stainless steel  
Colour : blue  
Material impeller : cast iron



PART NO.	TYPE	VOLTAGE
0920290	MN32 160 A	400/690VAC
0920291	MN32 200 C	400/690VAC
0920293	MN32 200 A	400/690VAC
0920300	MN40 160 B	400/690VAC
0920301	MN40 160 A	400/690VAC
0920304	MN40 200 A	400/690VAC
0920309	MN50 160 A	400/690VAC
0920311	MN50 200 A	400/690VAC
0920314	MN65 160 B	400/690VAC

MN32/40/50/80							Q (m <sup>3</sup> /h - l/min)																		
Part no.	Type	Voltage 3ØHz	P2 (HP) (kW)	I (A)	Q (m <sup>3</sup> /h - l/min)																				
					0	6	7.5	9	12	15	18	21	24	27	30	33	36	39	42						
					H (m)																				
0920290	MN32 160 A	400/690V	4,0	3,0	7,1	36,8	36,4	36	35,4	34,2	32,8	31,1	28,8	26	22,3	-	-	-	-	-	-	-	-	-	-
0920291	MN32 200 C	400/690V	5,5	4,0	9,4	41	40	39,5	38,9	37,5	36	34,2	32,2	30	27	-	-	-	-	-	-	-	-	-	-
0920293	MN32 200 A	400/690V	10,0	7,5	16,5	61,0	60,5	60,0	59,5	58,5	57,2	56,5	53,7	51,5	49,0	46,2	42,7	38,5	-	-	-	-	-	-	-
0920300	MN40 160 B	400/690V	4,0	3,0	7,4	30	-	-	30,1	30	29,6	29	28,2	27,1	25,9	24,4	22,8	21	-	-	-	-	-	-	-
0920301	MN40 160 A	400/690V	5,5	4,0	9,9	35,4	-	-	35,6	35,5	35,3	35,0	34,2	33,2	32,0	30,6	29,0	27,3	25,4	-	-	-	-	-	-
0920304	MN40 200 A	400/690V	10,0	7,5	16,8	36,4	-	-	37,8	38	37,9	37,8	36,9	36	34,7	33	31,1	28,9	26,5	23,4	-	-	-	-	-
0920309	MN50 160 A	400/690V	10,0	7,5	15,8	30,7	-	-	-	-	-	-	37,9	37,8	37,4	37,1	36,6	36,1	35,4	-	-	-	-	-	-
0920311	MN50 200 A	400/690V	20,0	15,0	27,0	58	-	-	-	-	-	-	-	58,1	58	57,5	57	56,4	55,7	-	-	-	-	-	-
0920314	MN65 160 B	400/690V	15,0	5,5	22,5	34,0	-	-	-	-	-	-	-	-	-	-	-	-	34,8	-	-	-	-	-	-

MN32/40/50/80							Q (m <sup>3</sup> /h - l/min)																		
Part no.	Type	Voltage 3ØHz	P2 (HP) (kW)	I (A)	Q (m <sup>3</sup> /h - l/min)																				
					48	54	60	66	72	78	84	96	108	120	132	144	156	168	180						
					H (m)																				
0920290	MN32 160 A	400/690V	4,0	3,0	7,1	-	-	-	-	-	-	-	-	-	-	-	-	-	-	-	-	-	-	-	-
0920291	MN32 200 C	400/690V	5,5	4,0	9,4	-	-	-	-	-	-	-	-	-	-	-	-	-	-	-	-	-	-	-	-
0920293	MN32 200 A	400/690V	10,0	7,5	16,5	-	-	-	-	-	-	-	-	-	-	-	-	-	-	-	-	-	-	-	-
0920300	MN40 160 B	400/690V	4,0	3,0	7,4	-	-	-	-	-	-	-	-	-	-	-	-	-	-	-	-	-	-	-	-
0920301	MN40 160 A	400/690V	5,5	4,0	9,9	-	-	-	-	-	-	-	-	-	-	-	-	-	-	-	-	-	-	-	-
0920304	MN40 200 A	400/690V	10,0	7,5	16,8	-	-	-	-	-	-	-	-	-	-	-	-	-	-	-	-	-	-	-	-
0920309	MN50 160 A	400/690V	10,0	7,5	15,8	33,9	32,1	30	27,8	25,3	22,6	-	-	-	-	-	-	-	-	-	-	-	-	-	-
0920311	MN50 200 A	400/690V	20,0	15,0	27,0	53,2	51,3	49	46,3	42,8	38,8	-	-	-	-	-	-	-	-	-	-	-	-	-	-
0920314	MN65 160 B	400/690V	15,0	5,5	22,5	34,4	34,2	34,0	33,7	33,3	32,8	32,1	30,6	28,8	26,7	24,1	21,1	-	-	-	-	-	-	-	-

# PUMPS, PRESSURE TANKS AND ACCESSORIES

## Centrifugal Pumps



rovatti pompe

### Rovatti Centrifugal pump, type T

The tractor driven pumps type T come installed with the "E" impeller which provides the highest pressure. For different impeller types please consult with us.

For the T types, the Standard Gear Ratio (PTO) has been selected. For other Gear Ratios please consult with us. In order to choose the correct Gear Ratio with the highest efficiency we recommend to have the tractor and torque information upfront.

All the T pumps come with a lattyflon stuffing-box packing which is ideal for dirty water installation. The stuffing-box packing needs to be adjusted accordingly with the Twinner System (2 parts) so it is always leaking in order to keep it lubricated and cool.

No counter flanges are delivered with the T types, for the counter flange kits please consult with us.

The T pumps can also be delivered fully assembled: frame (available in 2 sizes), suction pipe, pressure pipe, manometer, steel valve and hand pump. Please consult with us for more information.

#### Applications

Medium Pressure Sprinkler Systems: types T1-65A and T2-80.

Medium Pressure Frost Protection: types T3-100A and T4-125 (max 6 and 8 ha. respectively).

High Pressure Hose Rail Machines: types T2-50, T265, T3-80A, T3K80/2 and T4-110.

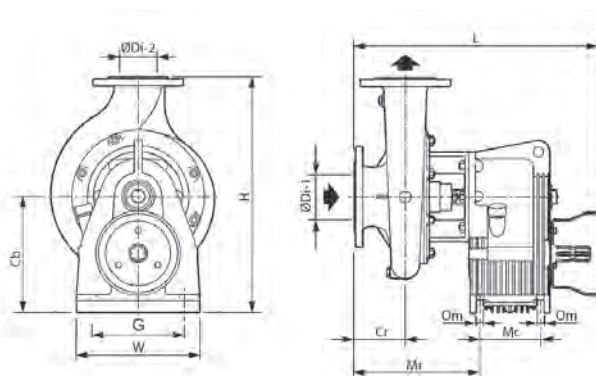
Connection : DIN flange

Pump body : cast iron

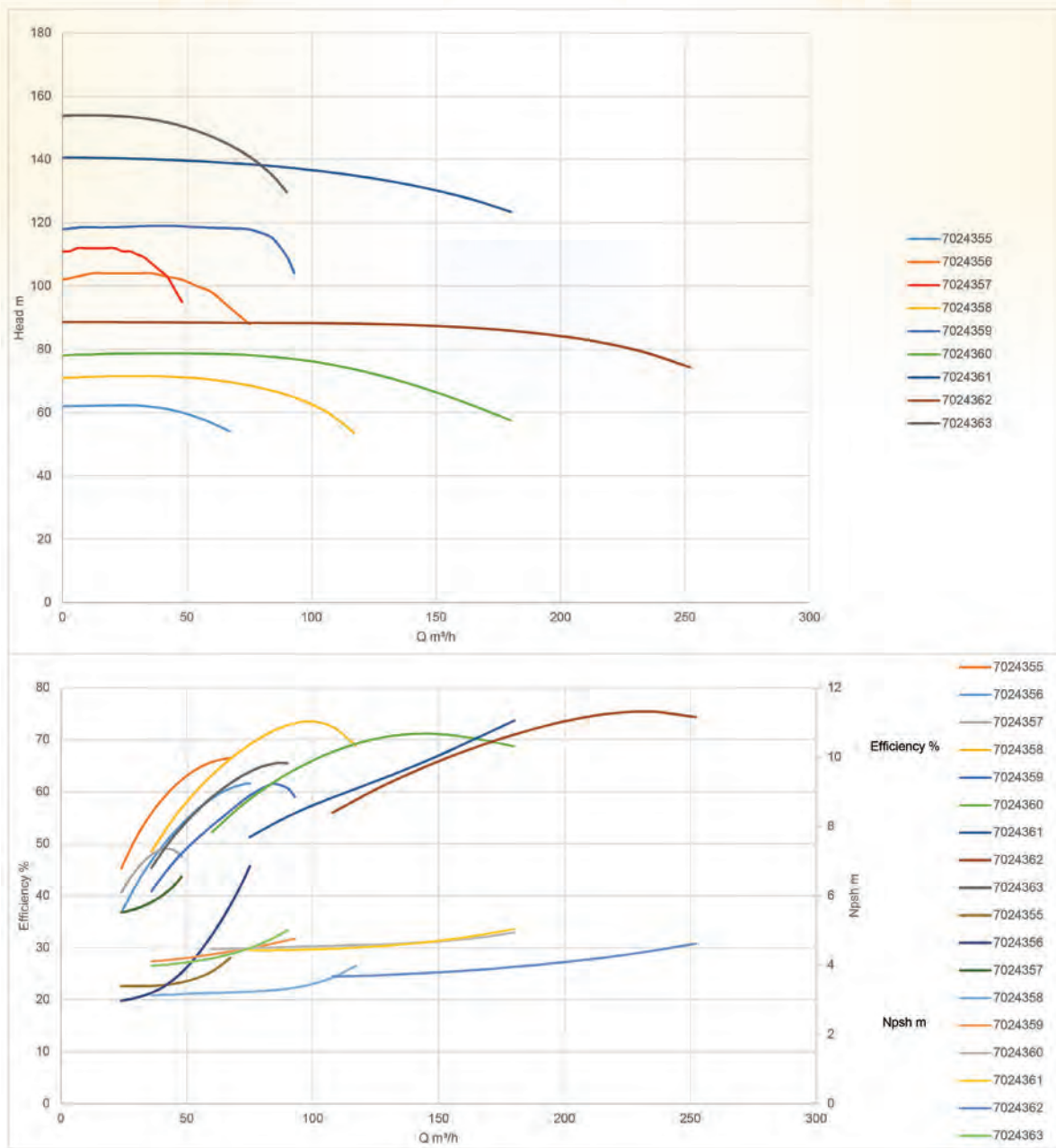
Shaft : steel

Material impeller: cast iron

PART NO.	L	W	H	Cb	Mr	Mc	Cr	Om	G	Di-1	Di-2
7024355	429	210	369	199	221	110	90	12	185	65	50
7024356	474	242	422	222	253	120	100	14	210	65	50
7024357	455	242	432	222	248	120	95	14	210	65	50
7024358	470	242	417	222	249	120	105	14	210	80	65
7024359	506	270	504	254	365	130	105	15	240	80	65
7024360	515	270	484	254	274	130	110	15	240	100	80
7024361	592	300	607	277	319	150	140	18	270	100	80
7024362	567	300	550	277	294	150	120	18	270	125	100
7024363	599	270	514	254	358	130	195	15	240	80	65

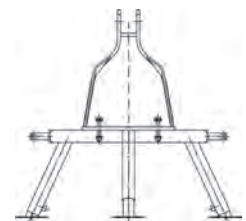


PART NO.	TYPE	IMPELLERS	MWC H (m)	MAX FLOW RATE Q (m <sup>3</sup> /h)	CAPACITY Q1/H1 - Q2/H2
7024355	T1-65A	1	62,3	60	24/62 - 60/57
7024356	T2-50	1	105	75	24/105 - 75/88
7024357	T2-65	1	111,8	48	24/111 - 48/95
7024358	T2-80	1	60,7	105	36/71 - 105/61
7024359	T3-80A	1	109,8	90	36/119 - 90/110
7024360	T3-100A	1	70,7	180	75/94 - 180/86
7024361	T4-110	1	138	180	75/138 - 180/123
7024362	T4-125	1	75,3	240	120/88 - 240/78
7024363	T3K80/2	1	134,7	90	36/152 - 90/129



### Rovatti 3 point mounting for tractor, type A..T

PART NO.	TYPE	MOQ
7024366	A1T	1
7024367	A2T	1
7024368	A3T	1
7024369	A4T	1



rovatti pompe

# PUMPS, PRESSURE TANKS AND ACCESSORIES

## Deep Well & Submersible Pumps



### JS Submersible pump, type JS

With withdrawn fan (Vortex). Ready for installation by a qualified electrician.

Connection : female thread  
 Pump body : plastic  
 Colour : black  
 Material impeller : cast iron

PART NO.	TYPE	VOLTAGE
0930037	JS 150 SV	230VAC
0930038	JS 150 SVA	230VAC

JS SV & SVA Series							Q (m <sup>3</sup> /h - l/min)									
Part nr.	Type	Voltage 50Hz	P2		I (A)	H (m)										
			(HP)	(kW)		0	2,4	4,8	7,2	9,6	12	18	24	30		
0930037	JS 150 SV	230V	0,2	0,15	1,4	6,0	4,7	2,6	-	-	-	-	-	-	-	-
0930038	JS 150 SVA	230V	0,2	0,15	1,4	6,0	4,7	2,6	-	-	-	-	-	-	-	-



### JS Submersible pump, type JS

With withdrawn fan (Vortex). Ready for installation by a qualified electrician.

Connection : female thread  
 Pump body : cast iron  
 Colour : black  
 Material impeller : cast iron

PART NO.	TYPE	VOLTAGE
0930040	JS 250 SV	230VAC
0930048	JS 250 SVA	230VAC
0930041	JS 400 SV	230VAC
0930049	JS 400 SVA	230VAC
0930043	JS 750 SV	230VAC
0930050	JS 750 SVA	230VAC
0930045	JS 1500 SV	230VAC

JS SV & SVA Series							Q (m <sup>3</sup> /h - l/min)									
Part nr.	Type	Voltage 50Hz	P2		I (A)	H (m)										
			(HP)	(kW)		0	2,4	4,8	7,2	9,6	12	18	24	30		
0930040	JS 250 SV	230V	0,3	0,25	1,9	6,0	5,4	4,6	3,6	2,4	0,8	-	-	-	-	-
0930048	JS 250 SVA	230V	0,3	0,25	1,9	6,0	5,4	4,6	3,6	2,4	0,8	-	-	-	-	-
0930041	JS 400 SV	230V	0,5	0,40	3,8	6,6	6,4	5,8	5,0	3,8	2,2	-	-	-	-	-
0930049	JS 400 SVA	230V	0,5	0,40	3,8	6,6	6,4	5,8	5,0	3,8	2,2	-	-	-	-	-
0930043	JS 750 SV	230V	1,0	0,75	6,8	9,6	9,0	8,4	8,0	7,4	6,4	4,2	-	-	-	-
0930050	JS 750 SVA	230V	1,1	0,76	6,8	9,6	9,0	8,4	8,0	7,4	6,4	4,2	-	-	-	-
0930045	JS 1500 SV	230V	2,0	1,50	12,0	9,0	8,7	8,2	8,0	7,6	7,4	6,4	5,2	4,0	-	-





- DRINKERS
- PLASTIC PRESSURE PIPING SYSTEMS
- FASTENERS AND ADHESIVES
- CLAMPS
- METAL VALVES
- COUPLINGS AND ACCESSORIES
- HOSES
- METAL PIPES AND FITTINGS
- MEASUREMENT, REGULATION AND FILTRATION
- PUMPS, PRESSURE TANKS AND ACCESSORIES
- TANKS
- CLIMATE

### JS Submersible pump, type JST

With withdrawn fan (Vortex). Ready for installation by a qualified electrician.

- Connection : female thread
- Pump body : cast iron
- Colour : black
- Material impeller : cast iron



PART NO.	TYPE	VOLTAGE
0930044	JST 08 SV	230/400VAC
0930046	JST 15 SV	230/400VAC
0930039	JST 37 SV	230/400VAC

JST SV Series						Q (m <sup>3</sup> /h - l/min)							
						0	6	12	18	24	36	48	60
Part nr.	Type	Voltage 50Hz	P2		I (A)	H (m)							
			(HP)	(kW)		0	100	200	300	400	600	800	1000
0930044	JST 08 SV	230/400V	0,8	0,5	1,8	9,8	8,4	6,5	4,2	-	-	-	-
0930046	JST 15 SV	230/400V	2,0	1,5	3,2	9,0	8,2	7,4	6,4	5,3	4,6	-	-
0930039	JST 37 SV	230/400V	5,0	3,7	7,9	13,8	13,0	12,8	11,9	11,2	9,5	7,6	5,2

# PUMPS, PRESSURE TANKS AND ACCESSORIES

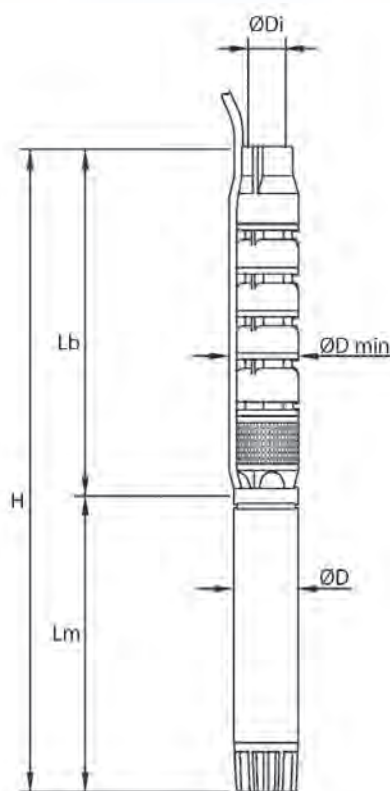
Deep Well & Submersible Pumps



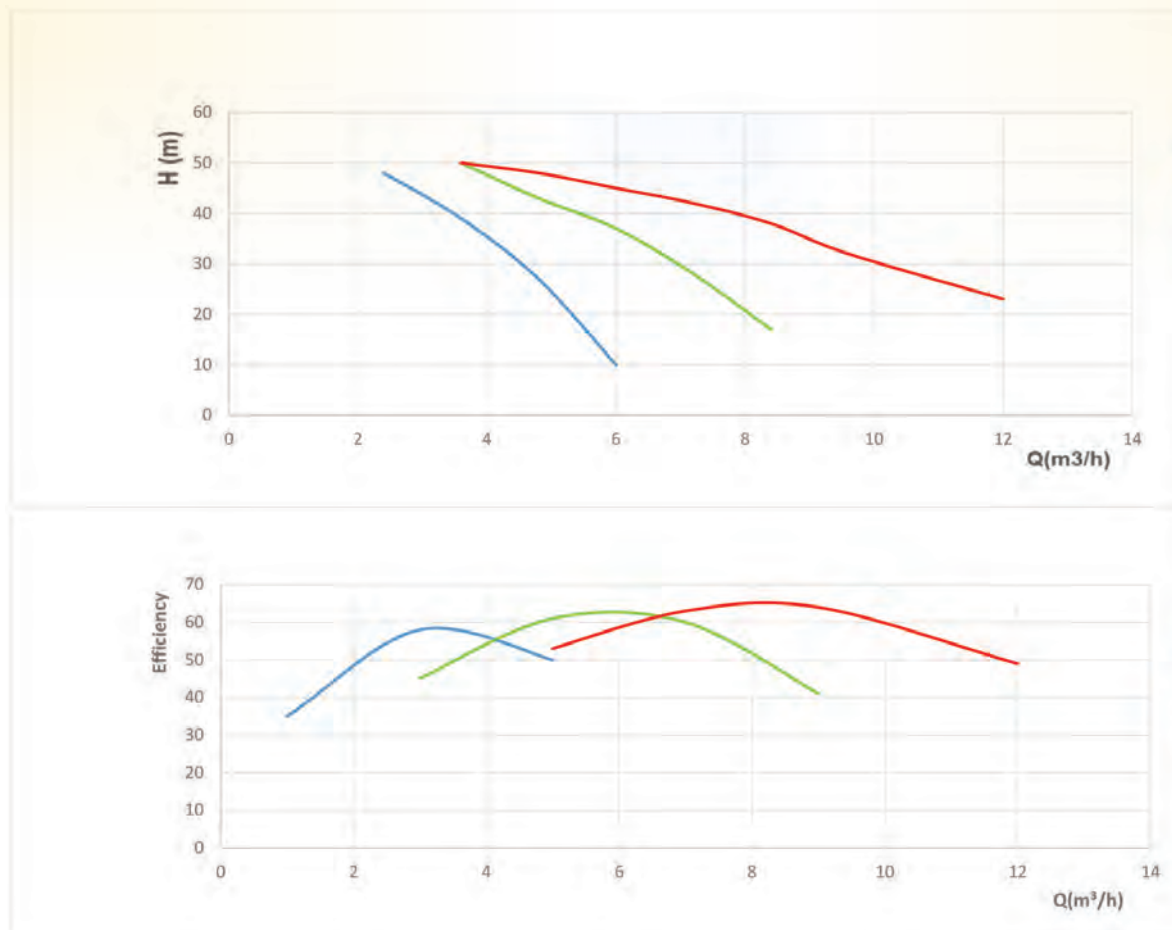
rovatti pompe

## Rovatti Deep well pump Franklin motor

Connection : female thread  
 Pump body : stainless steel 316  
 Material impeller: stainless steel 316  
 Shaft : stainless steel 316  
 Voltage : 230VAC  
 Press : 1 1/4"



PART NO.	H	Lb	Lm	Di	D min	D
7024370	-	344	-	1 1/4"	-	-
7024372	-	418	-	2"	-	-
7024374	-	483	-	2"	-	-
7024371	-	344	-	1 1/4"	-	-
7024373	-	418	-	2"	-	-
7024375	-	483	-	2"	-	-



PART NO.	TYPE	IMPELLERS	P2 (HP) (kW)		MOTOR	MWC H (m)	MAX FLOW RATE Q m³/h	CAPACITY Q1/H1 - Q2/H2
7024370	4ES6/9-41M	9	1	0.75	Franklin	60	6	3/47 - 4/31
7024372	4ES8/10-41,5M	10	1.5	1.1	Franklin	62	9	4/48 - 7/28
7024374	4ES12/8-42M	8	2	1.5	Franklin	53	12	6/48 - 10/34
7024371	4ES6/9-41M	9	0,75	1	Rovatti	60	6	3/47 - 4/31
7024373	4ES8/10-41,5M	10	1,1	1.5	Rovatti	62	9	4/48 - 7/28
7024375	4ES12/8-42M	8	1,5	2	Rovatti	53	12	6/48 - 10/34

# PUMPS, PRESSURE TANKS AND ACCESSORIES

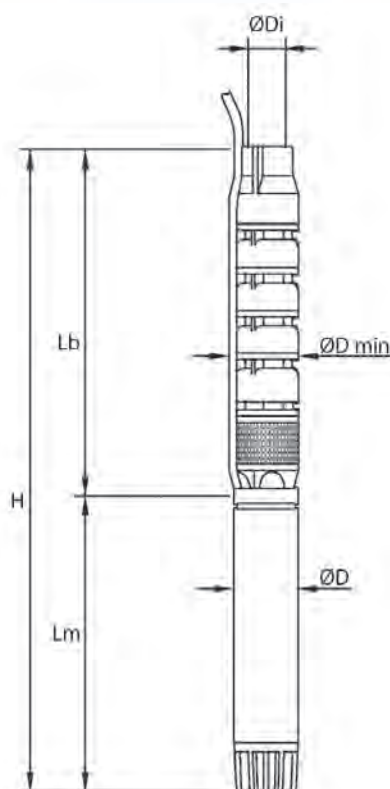
Deep Well & Submersible Pumps



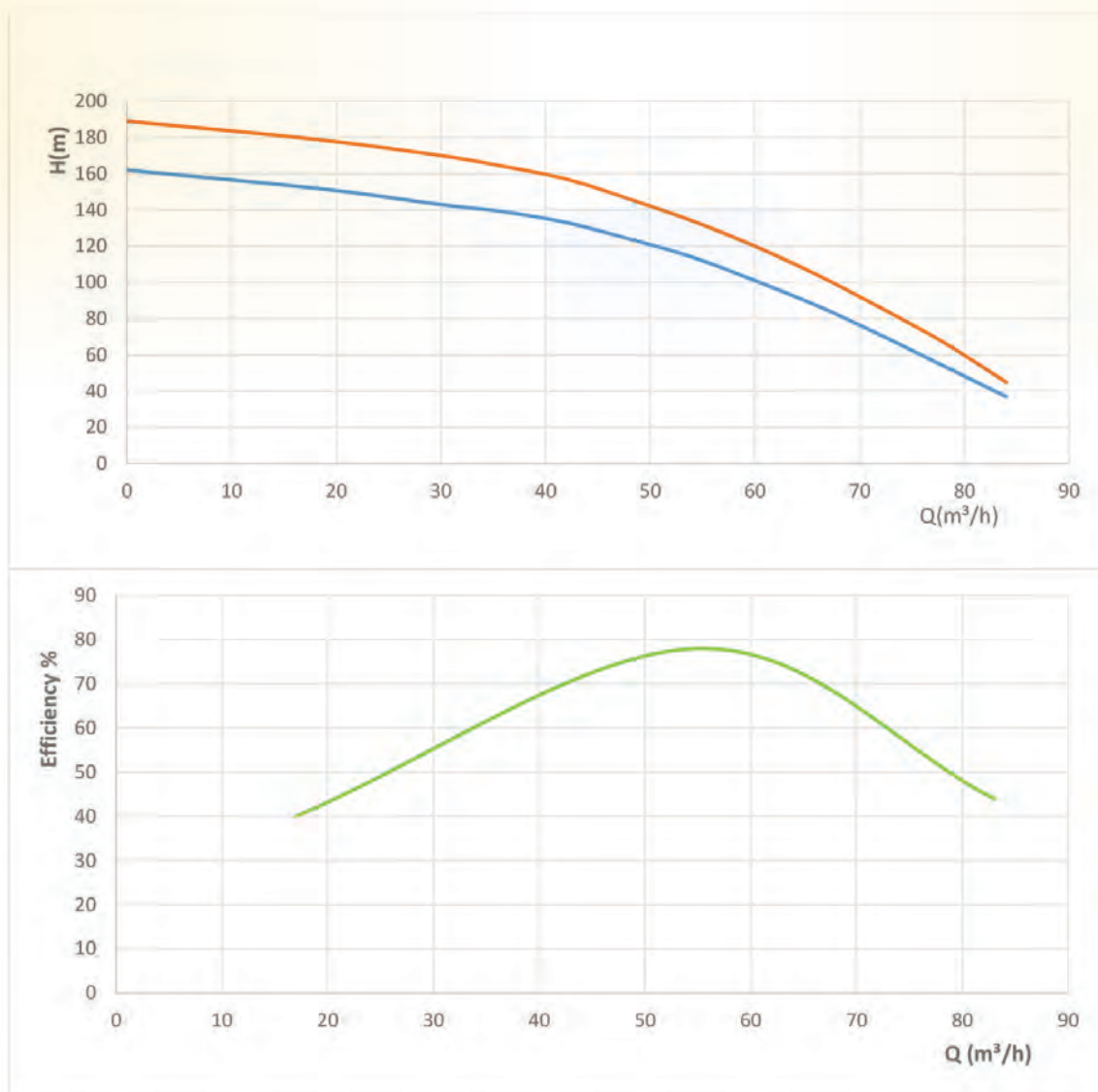
rovatti pompe

## Rovatti Deep well pump

Connection : female thread  
 Pump body : cast iron  
 Material impeller: stainless steel 316  
 Shaft : stainless steel 316  
 Voltage : 400VAC  
 Press : 3"



PART NO.	H	Lb	Lm	Di	D min	D
7024376	2599	1693	906	3"	150	136.5
7024378	2960	1923	1037	3"	153	136.5
7024377	2599	1693	906	3"	150	136.5
7024379	2960	1923	1037	3"	153	136.5



7024376 7024377

7024378 7024379

7024376 7024377

7024378 7024379

PART NO.	TYPE	IMPELLERS	P2 (HP) (kW)		MOTOR	MWC H (m)	MAX FLOW RATE Q m³/h	CAPACITY Q1/H1 - Q2/H2
7024376	6E-60/12E-630	12	22	30	Rovatti	162	88	40/133 - 68/80
7024378	6E-60/14E-635	14	26	35	Rovatti	187	88	40/155 - 68/108
7024377	6E-60/12E-630	12	30	22	Franklin	162	88	40/133 - 68/80
7024379	6E-60/14E-635	14	35	26	Franklin	187	88	40/155 - 68/108

# PUMPS, PRESSURE TANKS AND ACCESSORIES

## Pressure Sets



### Foras pressure set, type Aquaset

Complete with 24 ltr. horizontal tank, pressure gauge and pressure switch. Ready for installation by a qualified electrician.

Pump will be supplied with cable and DIN plug.

UK / DIN plug included for UK deliveries

Pump body : cast iron

Colour : blue

Material impeller : noryl

PART NO.	TYPE	VOLTAGE
0920390	JR 60/C	230VAC
0920032	JA 80/C	230VAC
0920034	JA 100/C	230VAC



### Foras pressure set with S/S pump

Complete with 24 ltr. horizontal tank, pressure gauge and pressure switch.

Pump will be supplied with cable and DIN plug.

UK / DIN plug included for UK deliveries

Pump body : cast iron

Colour : blue

Material impeller : noryl

PART NO.	TYPE	VOLTAGE
0920198	JXF 85	230VAC
0920199	JXF 105	230VAC



### Foras pressure tank set

Composed of tank, pressure switch, flexible hose, pressure gauge, 3- or 5-way coupling, connectors and Foras jet pump.

Ready for assembly and installation by qualified electrician.

Type M is supplied with cable and Din plug

Pump body : cast iron

Colour : blue

red

Material impeller : noryl

PART NO.	TYPE	POWER kW
0920037	JA 100/1 M horizontal	0.75
0920038	JA 150/1 M horizontal	1.1
0920043	JA 200/1 M horizontal	1.5
0920044	JA 200/1 T horizontal	1.5

# Pressure Tanks

## Membrane pressure vessel, type vertical

Connection : male thread  
 Material : stainless steel 304  
 Material flange: stainless steel 304

PART NO.	CONTENT ltr	SIZE	DIAMETER mm	HEIGHT mm	PRESSURE bar
0920153	50	1"	365	790	8
0920155	100	1"	480	920	8
0920156	200	1 1/2"	540	1290	6
0920157	300	1 1/2"	635	1390	6



## Hydro-S pressure tank, type vertical

Connection : female thread  
 Material : steel  
 Surface treatment: powder coating  
 Material flange : steel powdercoated

PART NO.	CONTENT ltr	SIZE	DIAMETER mm	HEIGHT mm	PRESSURE bar
0920809	300	1 1/4"	634	1230	10
0920810	500	1 1/4"	740	1550	10



**hydro-s**

## Hydro-S replacement membranes

Material : EPDM  
 DIN Standard: DIN 4807-3

PART NO.	SUITABLE FOR
0920830	8-12 ltr pressure tank
0920831	18-19-24 ltr pressure tank
0920832	35-50-60 ltr pressure tank
7008933	80 ltr pressure tank
7008934	100 ltr pressure tank
0920834	200 ltr pressure tank
0920836	300 ltr pressure tank
0920835	500 ltr pressure tank



**hydro-s**

## Hydro-S replacement flange

Connection : male thread  
 Material : steel  
 Surface treatment: galvanised

PART NO.	SIZE	SUITABLE FOR	OUTER Ø mm
0920837	1"	35-150 ltr pressure tanks	147



**hydro-s**

# PUMPS, PRESSURE TANKS AND ACCESSORIES

## Pressure Tanks



### Hydro-S replacement flange

Connection : female thread  
Material : steel  
Surface treatment: powder coating

PART NO.	SIZE	SUITABLE FOR
0920838	1 1/4"	200-500 ltr pressure tanks



### Hydro-S membrane holder

Material : steel  
Surface treatment: galvanised

PART NO.	SIZE	SUITABLE FOR
0920839	3/4" x 60 mm	8-150 ltr membrane pressure tank
0920840	3/4" x 65 mm	80-300 ltr membrane pressure tank



### Membrane pressure vessel, type vertical

Connection : male thread  
Material : stainless steel 304  
Material flange: stainless steel 304

PART NO.	CONTENT ltr	SIZE	DIAMETER mm	HEIGHT mm	PRESSURE bar
0920152	20	1"	267	470	8



### Membrane pressure tank, horizontal

Connection : male thread  
Material flange: stainless steel 304

PART NO.	CONTENT ltr	SIZE	DIAMETER mm	LENGTH mm	PRESSURE bar
0920158	20	1"	267	410	8
0920159	50	1"	365	655	8
0920164	100	1"	480	660	8
0920438	200	1 1/2"	540	990	6



### EPDM membrane for vessel vertical and horizontal

Material: EPDM

PART NO.	SUITABLE FOR
7008439	20 ltr pressure tank
7014544	50 ltr pressure tank
7014545	80-100 ltr pressure tank
7014546	200 ltr pressure tank
7014547	300 ltr pressure tank



### SS Water hammer arrestor, type CAR19

Connection : male thread  
Material : stainless steel 304L  
Minimum inlet pressure : 3.5 bar  
Pressure : 20 bar

PART NO.	SIZE	TYPE
0920413	1/2"	CAR19



### Pressure tank, type vertical

Electric welded pressure boiler, internally and externally galvanised.  
All boilers factory tested to 6 bar.

Connection : female thread  
Material : steel  
Surface treatment: galvanised

PART NO.	CONTENT ltr	SIZE	DIAMETER mm	HEIGHT mm	PRESSURE bar
0920062	200	1 1/4"	500	1250	6
0920066	300	1 1/4"	600	1420	6
0920067	500	2"	650	1990	6
0920069	1000	2"	800	2220	6



### Pressure tank, type vertical

Connection : female thread  
Material : steel  
Surface treatment: galvanised  
DIN Standard : DIN4810

PART NO.	CONTENT ltr	SIZE	HEIGHT mm
0920176	300	2"	1550
0920177	500	2"	1800
0920179	1000	2"	2300



### Break tank Mini DSCT with NGXM2 & Logicpres

Compact break tank, suitable for floor- and wall installation.  
Flow rate 2 m<sup>3</sup>/h at 2 bar.  
Provided with a press control breaker set.  
Material tank: PE.

Connection: male thread

PART NO.	SIZE	VOLTAGE	POWER kW	TANK ltr
7023557	3/4" x 1"	230VAC	0.45	10



# PUMPS, PRESSURE TANKS AND ACCESSORIES

## Pressure Tanks



### Break tank Homebox with MXAM204 & Logicpres

Medium size break tank, suitable for floor installation.

Flow rate 3 m<sup>3</sup>/h at 2,7 bar.

On/Off system.

provided with a multi impeller pump.

Material tank: PE.

Connection: male thread

PART NO.	SIZE	VOLTAGE	POWER kW	TANK ltr
7023558	3/4" x 1"	230VAC	0.55	57



### Break tank Homebox with Minisub & Presflo multi

Medium size break tank, suitable for floor installation.

Flow rate 3 m<sup>3</sup>/h at 2,7 bar.

On/Off system.

provided with a silent Presflo multi impellor submersible pump.

Material tank: PE.

Connection: male thread

PART NO.	SIZE	VOLTAGE	POWER kW	TANK ltr
7023559	3/4" x 1"	230VAC	0.75	57



### Break tank Hecaton with MXAM 204 & Logicpres

Large break tank, suitable for floor installation.

Flow rate 3 m<sup>3</sup>/h at 2,7 bar.

On/Off system.

provided with a multi impeller pump.

Material tank: PE.

Connection: male thread

PART NO.	SIZE	VOLTAGE	POWER kW	TANK ltr
7023560	3/4" x 1"	230VAC	0.55	100

# Float Valves

## Float valve

Connection : male thread

Material : brass



PART NO.	SIZE	PRESSURE bar
7027656	3/8"	6
7027657	1/2"	6

## Float ball

Material: plastic

PART NO.	DIAMETER mm	SUITABLE FOR
7027658	90	3/8" - 1/2" float valve



## Float valve

Connection : male thread

Material : brass



PART NO.	SIZE	PRESSURE bar
7027659	1/2"	6
7027660	3/4"	6
7027661	1"	6
7027662	1 1/4"	6
7027663	1 1/2"	6
7027664	2"	6

## Float ball

Material: plastic

PART NO.	DIAMETER mm	SUITABLE FOR
7027665	120	1/2" - 3/4" - 1" float valve
7027666	150	1" - 1 1/4" - 1 1/2" float valve
7027667	180	1 1/2" - 2" float valve



# PUMPS, PRESSURE TANKS AND ACCESSORIES

## Compressors



### B & P Compressor, type MEC - M

With pressure-feed oil lubrication via adjustable drip oiler. (LF)

Propulsion: PTO 540 RPM

PART NO.	TYPE	CAPACITY l/min	VALVE CONNECTION "
0998001	MEC 5000 M LF SX D60 STD	6150	1 1/2
0998002	MEC 6500 M LF SX D80 STD	7000	1 1/2



### B & P Compressor, type MEC - P

Smooth shaft for V-belt pulley. Pressure-feed oil lubrication via adjustable drip oiler (LF)

Propulsion: shaft, 1000 RPM

PART NO.	TYPE	CAPACITY l/min	VALVE CONNECTION "
7008924	MEC 2000 P LA SX D60 STD	2750	1 1/4
0990003	MEC 3000 P LF DX D60 STD	3600	1 1/4
0990004	MEC 4000 P LF DX D60 STD	4350	1 1/4
7002183	MEC 2000 P LF SX D45 STD	2750	1 1/4
7002184	MEC 3000 P LF SX D60 STD	3600	1 1/4
7002185	MEC 4000 P LF SX D60 STD	4350	1 1/4
7002189	MEC 2000 P LA SX D45 STD	2750	1 1/4
7002190	MEC 3000 P LA SX D60 STD	3600	1 1/4
7002191	MEC 4000 P LA SX D60 STD	4350	1 1/4
7008925	MEC 2000 P LF SX D60 STD	2750	1 1/4



### B & P Compressor, type MEC - M

Propulsion: PTO 540 RPM

PART NO.	TYPE	CAPACITY l/min	VALVE CONNECTION "
0990030	MEC 9000 M LF SX D80 LONG LIFE	9030	2



### B & P Compressor, type MEC - D

Propulsion: PTO 1000 RPM

PART NO.	TYPE	CAPACITY l/min	VALVE CONNECTION "
0990033	MEC 9000 D LF SX D80 LONG LIFE	9030	2
0990035	MEC 13500 D LF SX D100 LONG LIFE	13800	2



### B & P Compressor, type STAR - MV

With pressure-feed oil lubrication via adjustable drip oiler (LF).

MV = with transmission

Standard direction of rotation: left

Oil tank in cast iron

Propulsion: PTO 540 RPM



PART NO.	TYPE	CAPACITY l/min	VALVE CONNECTION "
0980115	STAR/MV 60 LF D80	10680	2 - 1 1/2
0980116	STAR/MV 72 LF D100	11870	2 - 1 1/2
0980117	STAR/MV 84 LF D100	14420	2 - 1 1/2

### Seal for B & P pumps

Sealing kit including set vanes type 2082

PART NO.	SUITABLE FOR
0990157	B&P pump MEC 1000
0990158	B&P pump MEC 1600
0990159	B&P pump MEC 2000
0990162	B&P pump MEC 5000
0990163	B&P pump MEC 6500
0990164	B&P pump MEC 8000
0990165	B&P pump SE 10000
0990166	B&P pump SE 12000
0990167	B&P pump STAR 60
0990168	B&P pump STAR 72
0990169	B&P pump STAR 84







DRINKERS

PLASTIC PRESSURE  
PIPING SYSTEMS

FASTENERS AND  
ADHESIVES

CLAMPS

METAL VALVES

COUPLINGS AND  
ACCESSORIES

HOSES

METAL PIPES AND  
FITTINGS

MEASUREMENT, REGULATION  
AND FILTRATION

PUMPS, PRESSURE TANKS  
AND ACCESSORIES

TANKS

CLIMATE

# TANKS

Steel Water Tanks  
Polyester Storage Tanks  
PE Storage Tanks

# TANKS

## Steel Water Tanks

Galvanised and corrugated steel water tanks, designed to hold large volumes of water: from 2 m<sup>3</sup>/h to 1769 m<sup>3</sup>/h. All tanks have CE-certification, in line with the guidelines for EN 1090-1:2009+A1:2011.



Water tanks are transported as a compact installation package and can be installed with man power only.



### Liners:

Liners include the bottom insulation blanket 250gr/m<sup>2</sup> and wall blanket 250gr/m<sup>2</sup>.

- PVC Liner 0.5mm is recommended for storing rain and clean water.
- PVC Liner 1.0mm is recommended for Aquaculture. PVC Liners are easier to repair.
- PVC Extreme Liner 0.75mm is KIWA certified and can resist up to 3ppm of Chlorine.
- EX liner 0.6mm is a high quality foil with a higher life expectancy than the PVC liner and suitable for high tanks (>5.37m) due to its higher elasticity. It has a high UV-radiation resistance and chemical resistance (fertilisers) but not resistant to Chlorine. EX material also weights 35% less than PVC liners.

Additional Liners are available such as: EPDM in 0.75, 1.0 and 1.2 mm and PVC Extreme 0.75 mm.

### Installation:

Prior to installation the ground needs to be prepared and ready for installation. Concrete floor or corners, need to be dry (+14 days after construction) and sand needs to be levelled properly.

If the bedding of the tank floor is made of rocks or if the concrete floor is not 100% flat, sand needs to be put on top in order to protect the liner from damage.

Remember to place the Liner inside the tank ring before building the panels.

The standard depth to which the tanks must be installed is 0.40m deep into the ground.

Tanks of 5.37m in height need to be installed 0.80m deep into the ground and should come with an EX or EPDM liner.

*Indicate the position, size and amount of conical outlets that you need when ordering. Conical outlets should be the same material as the liner.*



## Outdoor water tanks

TANK SIZE		CAPACITY m <sup>3</sup>	TANK EXCL. LINER THICKNESS 1.0mm	EX LINER 0.6mm	PVC LINER 0.5mm	SPAN COVER PP WOVEN TISSUE	PP FLOATING COVER EXC. PVC PARTS	DOME COVER WITH EPDM* INC. FRAME AND 5.50M FOOT
DIAMETER (m)	HEIGHT (m)							
2.01	1.59	5	7028894	7029032	7029092	7029160		
2.01	2.36	7	7028895	7029033	7029093	7029160		
2.01	3.12	10	7028896	7029034	7029094	7029160		
2.69	1.59	9	7028897	7029035	7029095	7029161		
2.69	2.36	13	7028898	7029036	7029096	7029161		
2.69	3.12	18	7028899	7029037	7029097	7029161		
3.36	1.59	14	7028900	7029038	7029098	7029162		
3.36	2.36	21	7028901	7029039	7029099	7029162		
3.36	3.12	28	7028902	7029040	7029100	7029162		
3.36	3.88	34	7028903	7029041	7029101	7029162		
4.03	1.59	20	7028904	7029042	7029102	7029163		
4.03	2.36	30	7028905	7029043	7029103	7029163		
4.03	3.12	40	7028906	7029044	7029104	7029163		
4.03	3.88	49	7028907	7029045	7029105	7029163		
4.70	1.59	28	7028908	7029046	7029106	7029164		7028995
4.70	2.36	41	7028909	7029047	7029107	7029164		7028995
4.70	3.12	54	7028910	7029048	7029108	7029164		7028995
5.37	1.59	36	7028911	7029049	7029109	7029165		7028996
5.37	2.36	53	7028912	7029050	7029110	7029165		7028996
5.37	3.12	71	7028913	7029051	7029111	7029165		7028996
5.37	3.88	88	7028914	7029052	7029112	7029165		7028996
6.04	1.59	46	7028915	7029053	7029113	7029166		7028997
6.04	2.36	68	7028916	7029054	7029114	7029166		7028997
6.04	3.12	89	7028917	7029055	7029115	7029166		7028997
6.72	1.59	56	7028918	7029056	7029116	7029167		7028998
6.72	2.36	84	7028919	7029057	7029117	7029167		7028998
6.72	3.12	111	7028920	7029058	7029118	7029167		7028998
7.39	1.59	68	7028921	7029059	7029119	7029168		7028999
7.39	2.36	101	7028922	7029060	7029120	7029168		7028999
7.39	3.12	134	7028923	7029061	7029121	7029168		7028999
8.06	1.59	81	7028924	7029062	7029122		7029183	7029001
8.06	2.36	120	7028925	7029063	7029123		7029183	7029001
8.06	3.12	159	7028926	7029064	7029124		7029183	7029001
8.73	1.59	95	7028927	7029065	7029125		7029184	7029002
8.73	2.36	141	7028928	7029066	7029126		7029184	7029002
8.73	3.12	187	7028929	7029067	7029127		7029184	7029002
9.40	1.59	110	7028930	7029068	7029128		7029185	7029003
9.40	2.36	164	7028931	7029069	7029129		7029185	7029003
9.40	3.12	217	7028932	7029070	7029130		7029185	7029003
10.07	1.59	127	7028933	7029071	7029131		7029186	7029004
10.07	2.36	188	7028934	7029072	7029132		7029186	7029004
10.07	3.12	248	7028935	7029073	7029133		7029186	7029004
11.42	2.36	242	7028938	7029076	7029136		7029188	7029005
11.42	3.12	320	7028939	7029077	7029137		7029188	7029005
12.09	2.36	271	7028940	7029078	7029138		7029189	7029006
12.09	3.12	358	7028941	7029079	7029139		7029189	7029006
12.76	2.36	302	7028942	7029080	7029140		7029190	7029007
12.76	3.12	399	7028943	7029081	7029141		7029190	7029007
13.43	2.36	334	7028944	7029082	7029142		7029191	7029008
13.43	3.12	442	7028945	7029083	7029143		7029191	7029008
14.78	2.36	405	7028946	7029084	7029144		7029192	7029009
14.78	3.12	535	7028947	7029085	7029145		7029192	7029009
15.45	2.36	442	7028948	7029086	7029146		7029193	7029010
16.12	2.36	482	7028949	7029087	7029147		7029194	
16.79	2.36	523	7028950	7029088	7029148		7029195	
17.46	2.36	565	7028951	7029089	7029149		7029196	
18.13	2.36	609	7028952	7029090	7029150		7029197	
20.15	2.36	753	7028953	7029091	7029151		7029199	

\* Foot is essential for installing the Dome. It can be removed after installation but for large diameters it is preferred to leave it installed. For tanks with 3.88m height and above use the 7.00m foot.

# TANKS

## Steel Water Tanks

### Indoor water tanks

TANK SIZE		CAPACITY m <sup>3</sup>	TANK EXCL. LINER THICKNESS 0.8mm	EX LINER 0.6mm	PVC LINER 0.5mm	SPAN COVER PP WOVEN TISSUE
DIAMETER (m)	HEIGHT (m)					
2.01	1.59	5	7028834	7029032	7029092	7029160
2.01	2.36	7	7028835	7029033	7029093	7029160
2.01	3.12	10	7028836	7029034	7029094	7029160
2.69	1.59	9	7028837	7029035	7029095	7029161
2.69	2.36	13	7028838	7029036	7029096	7029161
2.69	3.12	18	7028839	7029037	7029097	7029161
3.36	1.59	14	7028840	7029038	7029098	7029162
3.36	2.36	21	7028841	7029039	7029099	7029162
3.36	3.12	28	7028842	7029040	7029100	7029162
3.36	3.88	34	7028843	7029041	7029101	7029162
4.03	1.59	20	7028844	7029042	7029102	7029163
4.03	2.36	30	7028845	7029043	7029103	7029163
4.03	3.12	40	7028846	7029044	7029104	7029163
4.03	3.88	49	7028847	7029045	7029105	7029163
4.70	1.59	28	7028848	7029046	7029106	7029164
4.70	2.36	41	7028849	7029047	7029107	7029164
4.70	3.12	54	7028850	7029048	7029108	7029164
5.37	1.59	36	7028851	7029049	7029109	7029165
5.37	2.36	53	7028852	7029050	7029110	7029165
5.37	3.12	71	7028853	7029051	7029111	7029165
5.37	3.88	88	7028854	7029052	7029112	7029165
6.04	1.59	46	7028855	7029053	7029113	7029166
6.04	2.36	68	7028856	7029054	7029114	7029166
6.04	3.12	89	7028857	7029055	7029115	7029166
6.72	1.59	56	7028858	7029056	7029116	7029167
6.72	2.36	84	7028859	7029057	7029117	7029167
6.72	3.12	111	7028860	7029058	7029118	7029167
7.39	1.59	68	7028861	7029059	7029119	7029168
7.39	2.36	101	7028862	7029060	7029120	7029168
7.39	3.12	134	7028863	7029061	7029121	7029168
8.06	1.59	81	7028864	7029062	7029122	7029169
8.06	2.36	120	7028865	7029063	7029123	7029169
8.06	3.12	159	7028866	7029064	7029124	7029169
8.73	1.59	95	7028867	7029065	7029125	7029170
8.73	2.36	141	7028868	7029066	7029126	7029170
8.73	3.12	187	7028869	7029067	7029127	7029170
9.40	1.59	110	7028870	7029068	7029128	7029171
9.40	2.36	164	7028871	7029069	7029129	7029171
9.40	3.12	217	7028872	7029070	7029130	7029171
10.07	1.59	127	7028873	7029071	7029131	7029172
10.07	2.36	188	7028874	7029072	7029132	7029172
10.07	3.12	248	7028875	7029073	7029133	7029172
10.75	2.36	214	7028876	7029074	7029134	7029174
10.75	3.12	283	7028877	7029075	7029135	7029174
11.42	2.36	242	7028878	7029076	7029136	7029175
11.42	3.12	320	7028879	7029077	7029137	7029175
12.09	2.36	271	7028880	7029078	7029138	7029176
12.09	3.12	358	7028881	7029079	7029139	7029176
12.76	2.36	302	7028882	7029080	7029140	7029177
12.76	3.12	399	7028883	7029081	7029141	7029177
13.43	2.36	334	7028884	7029082	7029142	7029178
13.43	3.12	442	7028885	7029083	7029143	7029178
14.78	2.36	405	7028886	7029084	7029144	7029179
14.78	3.12	535	7028887	7029085	7029145	7029179

### Coating, Plastisol panel:

Super Vinyl Thermoplast coating of 200 um per side is available for the bottom rings and for the full tank for Aquaculture applications. These are resistant to acids, alcohol and mineral oils. Normal life expectancy is 25 years.

### Aquaculture water tanks

TANK SIZE		CAPACITY m <sup>3</sup>	TANK EXCL. LINER THICKNESS 1.0MM FULLY COATED	PVC LINER 1.0MM
DIAMETER (m)	HEIGHT (m)			
2.69	2.36	13	7028959	7029200
4.03	2.36	30	7028963	7029203
7.39	2.36	101	7028974	7029212
8.06	2.36	120	7028976	7029214
8.73	1.59	95	7028977	7029215
8.73	2.36	141	7028978	7029216
9.40	1.59	110	7028979	7029218
10.07	1.59	127	7028981	7029220
20.15	1.59	507	7028994	7029228



### Grips for installing liner

PART NO.	
7029012	Grips for installing liner



### Corner hook for concrete floor

PART NO.	SIZE
7029021	40 mm



### Conical outlet with assembly set, type EX

Always indicate size and position of outlet(s) when ordering. Outlets must be the same material as the liner used.

PART NO.	SIZE
7029152	32-75 mm
7029153	90-200 mm
7029154	250-350 mm



### Reinforcement panel for wall outlet

Material : steel  
Surface treatment: galvanised

PART NO.	SIZE
7029013	75 mm
7029014	90 mm
7029015	100 mm
7029016	110 mm
7029017	125 mm
7029018	150 mm
7029019	190 mm
7029020	200 mm



### Conical outlet, type PVC

Always indicate size and position of outlet(s) when ordering. Outlets must be the same material as the liner used.

PART NO.	SIZE
7029155	32-75 mm
7029156	90-200 mm
7029157	250-350 mm
7029158	400-500 mm

# TANKS

## Polyester Storage Tanks



### Polyester water tank

Material: polyester

Colour : grey

PART NO.	CONTENT ltr	HEIGHT cm	BOTTOM cm	TOP + LIP cm
0022111	100	35	50 x 55	62 x 67
0022112	180	50	50 x 75	58 x 83
0022113	200	59	43 x 73	58 x 88
0022114	200	36	50 x 110	62 x 122
0022115	275	90	57 x 57	66 x 66
0022116	300	52	54 x 102	70 x 118
0022117	350	60	75 x 75	96 x 96
0022118	400	58	66 x 105	80 x 119
0022119	500	62	72 x 107	95 x 131
0022120	600	100	75 x 75	94 x 94
0022121	700	80	72 x 107	95 x 131
0022122	1000	100	98 x 98	120 x 120
0022123	1100	80	92 x 135	120 x 162
0022124	1600	94	110 x 145	135 x 170
0022125	2200	95	115 x 180	155 x 215



### Polyester water tank

Material: polyester

Colour : grey

PART NO.	CONTENT ltr	HEIGHT cm	BOTTOM cm	TOP + LIP cm
0022150	600	100	75 x 75	94 x 94
0022152	1000	100	98 x 98	120 x 120
0022155	2200	95	115 x 180	155 x 215
0022156	3300	103	172 x 172	204 x 204



### Push-in Bulkhead fitting

Connection : male thread

Material : PP

Colour : black

PART NO.	SIZE	PRESSURE bar	PACKAGING pcs	
7019308	1/2"	4	20	60
7019309	3/4"	4	20	60
7019310	1"	4	20	60
7019311	1 1/4"	4	10	30
7019312	1 1/2"	4	10	30
7019313	2"	4	5	15



DRINKERS

PLASTIC PRESSURE PIPING SYSTEMS

FASTENERS AND ADHESIVES

CLAMPS

METAL VALVES

COUPLINGS AND ACCESSORIES

HOSES

METAL PIPES AND FITTINGS

MEASUREMENT, REGULATION AND FILTRATION

PUMPS, PRESSURE TANKS AND ACCESSORIES

TANKS

CLIMATE

### Loose cover for polyester liquid tank

Material: polyester



PART NO.	SUITABLE FOR
0022161	0022111
0022162	0022112
0022230	0022113
0022163	0022114
0022231	0022115
0022232	0022116
0022165	0022118
0022234	0022119
0022233	0022120, 0022150, 0022117
0022235	0022121, 0022151
0022166	0022122, 0022152
0022167	0022123
0022168	0022124
0022169	0022125, 0022155
0022170	0022126, 0022156

# TANKS

## PE Storage Tanks



### Liquid tanks, type CV vertical

Material: LDPE

Colour : blue

PART NO.	CONTENT ltr	DIAMETER mm	HEIGHT mm	COVER mm	CONNECTION "
0020208	300	630	1170	300	1
0020209	500	700	1460	300	1
0020210	750	800	1680	300	1 1/4
0020211	1000	800	2180	300	1 1/4
0020212	1500	1060	1920	300	1 1/2
0020213	2000	1200	2015	400	1 1/2
0020214	3000	1470	2050	400	1 1/2
0020215	5000	1790	2210	400	2
0020228	10000	2300	2650	600	



### Liquid tanks, type CH horizontal

Material: LDPE

Colour : blue

PART NO.	CONTENT ltr	LENGTH mm	DIAMETER mm	HEIGHT mm	COVER mm	CONNECTION "
0020220	300	1100	625	705	200	1
0020221	500	1500	720	800	300	1
0020222	750	1580	820	900	300	1 1/4
0020223	1000	1720	915	995	300	1 1/4
0020224	1500	1630	1155	1255	400	1 1/2
0020225	2000	1700	1300	1400	400	1 1/2
0020226	3000	2000	1450	1550	400	1 1/2
0020227	5000	2310	1700	1840	400	2



### Liquid tanks, type CP

Material: LDPE

Colour : blue

PART NO.	CONTENT ltr	LENGTH mm	WIDTH mm	HEIGHT mm	COVER mm	CONNECTION "
0020235	500	840	700	1060	300	1
0020237	1000	1400	670	1420	300	1
7015316	2000	2050	695	1900	400	1 1/2

### Liquid tanks, type CB

Material: LDPE

Colour : blue



PART NO.	CONTENT ltr	LENGTH mm	WIDTH mm	HEIGHT mm	COVER mm
0020255	100	500	500	575	200
0020256	200	700	600	625	200
0020257	300	800	700	655	200

### Loose lid for LDPE tanks

Material: LDPE

Colour : black



PART NO.	DIAMETER mm
0020250	200
0020251	300
0020252	400

### Adapter NW 50 typ 2

S60 x 6 = Trapezium thread

Connection: female thread x male thread

PART NO.	SIZE	TYPE
0021150	S60 x 6 x 2"	2



### Adapter NW 50 typ 3

S60 x 6 = Trapezium thread

Connection: female thread

PART NO.	SIZE	TYPE
0021151	S60 x 6 x 2"	3



### Mega Bib tap set for IBC tank

Connection : male thread x hose tail

Material : brass



PART NO.	SIZE
7020222	2"x 3/4"









DRINKERS

PLASTIC PRESSURE  
PIPING SYSTEMS

FASTENERS AND  
ADHESIVES

CLAMPS

METAL VALVES

COUPLINGS AND  
ACCESSORIES

HOSES

METAL PIPES AND  
FITTINGS

MEASUREMENT, REGULATION  
AND FILTRATION

PUMPS, PRESSURE TANKS  
AND ACCESSORIES

TANKS

CLIMATE

## CLIMATE

Heating

Press-Inox Fittings

Twin pipe and Couplers

Cooling

# CLIMATE

## Heating



### Floor heating pipe

High performance DOWLEX™ 2344 PE / RT Resin heating pipe (clear white)  
EVOH oxygen barrier layer (DIN 4726)

Material : PE-RT  
Colour : white  
Max. temp.: 65 °C  
Pressure : 6 bar  
Type : oxygen densed  
Approval : KOMO

PART NO.	SIZE	WALL THICKNESS mm	LENGTH m
7014167	14 mm	2,0	600
7014179	16 mm	2,0	90
7014175	16 mm	2,0	120
7014176	16 mm	2,0	200
7014170	16 mm	2,0	600
7014171	18 mm	2,0	120
7014169	18 mm	2,0	600
7014177	20 mm	2,0	120
7014178	20 mm	2,0	200
7014168	20 mm	2,0	600



### Heating manifold, type Standard

This compact designed heating manifold can be used for primary and supplementary heating systems.

Hydraulic neutral conducted and equipped with Grundfos circulation pump, thermostatic control element, thermometers for primary and return bodies, adjustable thermostatic sector valves, manual air release valve and plug.

Excluding eurocone adaptors.

Connection : male eurocone thread  
Material : steel  
Surface treatment : powder coating  
Voltage : 230VAC

PART NO.	SIZE	GROUPS	PUMP
7023884	1/2"	1	Grundfos UPM3
7023885	1/2"	2	Grundfos UPM3
7023886	1/2"	3	Grundfos UPM3
7023887	1/2"	4	Grundfos UPM3
7023888	1/2"	5	Grundfos UPM3
7023889	3/4"	6	Grundfos UPM3
7023890	3/4"	7	Grundfos UPM3
7023891	3/4"	8	Grundfos UPM3
7023892	3/4"	9	Grundfos UPM3
7023893	3/4"	10	Grundfos UPM3
7023894	1"	11	Grundfos UPM3
7023895	1"	12	Grundfos UPM3

## Press-Inox Fittings



### Socket

Connection: press  
Material : stainless steel 316L  
Approval : DVGW/KIWA



PART NO.	SIZE	PACKAGING pcs	
0085000	15 mm	5	150
0085002	22 mm	5	60
0085003	28 mm	5	50
0085004	35 mm	1	30
0085005	42 mm	1	20
0085006	54 mm	1	12



### Bend 90°

Connection: press x spigot  
Material : stainless steel 316L  
Approval : DVGW/KIWA



PART NO.	SIZE	PACKAGING pcs	
0085097	15 mm	5	100
0085099	22 mm	5	45
0085100	28 mm	5	35
0085101	35 mm	1	15
0085102	42 mm	1	10
0085103	54 mm	1	5



### Bend 45°

Connection: press x spigot  
Material : stainless steel 316L  
Approval : DVGW/KIWA



PART NO.	SIZE	PACKAGING pcs	
0085129	15 mm	5	130
0085131	22 mm	5	60
0085132	28 mm	5	35
0085133	35 mm	1	20
0085134	42 mm	1	10
0085135	54 mm	1	8



### Repair coupler

Connection: press  
Material : stainless steel 316L  
Approval : DVGW/KIWA



PART NO.	SIZE	PACKAGING pcs	
0085037	15 mm	5	120
0085039	22 mm	5	50
0085040	28 mm	5	40
0085042	42 mm	1	18



### Bend 90°

Connection: press  
Material : stainless steel 316L  
Approval : DVGW/KIWA



PART NO.	SIZE	PACKAGING pcs	
0085087	15 mm	5	100
0085089	22 mm	5	40
0085090	28 mm	5	30
0085091	35 mm	1	15
0085092	42 mm	1	10
0085093	54 mm	1	6



### Bend 45°

Connection: press  
Material : stainless steel 316L  
Approval : DVGW/KIWA



PART NO.	SIZE	PACKAGING pcs	
0085119	15 mm	5	100
0085121	22 mm	5	50
0085122	28 mm	5	30
0085123	35 mm	1	25
0085124	42 mm	1	15
0085125	54 mm	1	8

# CLIMATE



## Adaptor elbow 90°

Connection: male thread x press  
Material : stainless steel 316L  
Approval : DVGW/KIWA



PART NO.	SIZE	PACKAGING pcs	
0085139	1/2" x 15 mm	5	150
0085141	3/4" x 22 mm	5	50
0085142	1" x 28 mm	5	30
0085143	1 1/4" x 35 mm	1	20
0085144	1 1/2" x 42 mm	1	16
0085145	2" x 54 mm	1	8



## T-piece reduced

Connection: press  
Material : stainless steel 316L  
Approval : DVGW/KIWA



PART NO.	SIZE	PACKAGING pcs	
0085183	22 mm x 15 mm x 22 mm	5	30
0085185	28 mm x 15 mm x 28 mm	5	25
0085187	28 mm x 22 mm x 28 mm	5	20
0085188	35 mm x 15 mm x 35 mm	1	20
0085189	35 mm x 22 mm x 35 mm	1	15
0085190	35 mm x 28 mm x 35 mm	1	15
0085195	54 mm x 28 mm x 54 mm	1	6
0085196	54 mm x 35 mm x 54 mm	1	7
0085197	54 mm x 42 mm x 54 mm	1	5

# Press-Inox Fittings



## Adaptor elbow 90°

Connection: female thread x press  
Material : stainless steel 316L  
Approval : DVGW/KIWA



PART NO.	SIZE	PACKAGING pcs	
0085146	1/2" x 15 mm	5	150
0085148	3/4" x 22 mm	5	50
0085149	1" x 28 mm	5	30
0085150	1 1/4" x 35 mm	1	10



## T-piece

Connection: press  
Material : stainless steel 316L  
Approval : DVGW/KIWA



PART NO.	SIZE	PACKAGING pcs	
0085172	15 mm	5	60
0085174	22 mm	5	25
0085175	28 mm	5	20
0085176	35 mm	1	13
0085177	42 mm	1	7
0085178	54 mm	1	5



## Adaptor T-piece

Connection: press x female thread x press  
Material : stainless steel 316L  
Approval : DVGW/KIWA



PART NO.	SIZE	PACKAGING pcs	
0085216	15 mm x 1/2" x 15 mm	5	50
0085219	22 mm x 1/2" x 22 mm	5	35
0085220	22 mm x 3/4" x 22 mm	5	30
0085221	28 mm x 1/2" x 28 mm	5	20
0085222	28 mm x 3/4" x 28 mm	5	20
0085224	35 mm x 3/4" x 35 mm	1	18
0085226	42 mm x 3/4" x 42 mm	1	10
0085227	54 mm x 1/2" x 54 mm	1	8
0085228	54 mm x 3/4" x 54 mm	1	7



### Adaptor

Connection: press x male thread  
 Material : stainless steel 316L  
 Approval : DVGW/KIWA



PART NO.	SIZE	PACKAGING pcs	
0085010	15 mm x 1/2"	5	150
0085012	22 mm x 1/2"	5	100
0085013	15 mm x 3/4"	5	150
0085015	22 mm x 3/4"	5	80
0085017	22 mm x 1"	5	50
0085016	28 mm x 3/4"	5	60
0085018	28 mm x 1"	5	50
0085019	35 mm x 1"	1	45
0085020	35 mm x 1 1/4"	1	36
0085021	42 mm x 1 1/2"	1	16
0085022	54 mm x 2"	1	12



### 3/3 union adaptor coupler

Connection: female thread x press  
 Material : stainless steel 316L  
 Approval : DVGW/KIWA



PART NO.	SIZE	PACKAGING pcs	
0085080	1/2" x 15 mm	5	100
0085083	1" x 28 mm	5	50
0085084	1 1/4" x 35 mm	1	30
0085085	1 1/2" x 42 mm	1	20
0085086	2" x 54 mm	1	10



### 3/3 union adaptor coupler

Connection: male thread x press  
 Material : stainless steel 316L  
 Approval : DVGW/KIWA



PART NO.	SIZE	PACKAGING pcs	
0085073	1/2" x 15 mm	5	100
0085075	3/4" x 22 mm	5	50
0085076	1" x 28 mm	5	40
0085077	1 1/4" x 35 mm	1	20
0085078	1 1/2" x 42 mm	1	10
0085079	2" x 54 mm	1	5



### Adaptor

Connection: female thread x press  
 Material : stainless steel 316L  
 Approval : DVGW/KIWA



PART NO.	SIZE	PACKAGING pcs	
0085025	1/2" x 15 mm	5	180
0085027	1/2" x 22 mm	5	100
0085028	3/4" x 15 mm	5	150
0085030	3/4" x 22 mm	5	100
0085031	3/4" x 28 mm	5	70
0085032	1" x 22 mm	5	70
0085033	1" x 28 mm	5	60
0085034	1 1/4" x 35 mm	1	30
0085035	1 1/2" x 42 mm	1	20
0085036	2" x 54 mm	1	10

- DRINKERS
- PLASTIC PRESSURE PIPING SYSTEMS
- FASTENERS AND ADHESIVES
- CLAMPS
- METAL VALVES
- COUPLINGS AND ACCESSORIES
- HOSES
- METAL PIPES AND FITTINGS
- MEASUREMENT, REGULATION AND FILTRATION
- PUMPS, PRESSURE TANKS AND ACCESSORIES
- TANKS
- CLIMATE

# CLIMATE



## Reducer

Connection: spigot x press  
 Material : stainless steel 316L  
 Approval : DVGW/KIWA



PART NO.	SIZE	PACKAGING pcs	
0085048	22 mm x 15 mm	5	100
0085050	28 mm x 15 mm	5	80
0085052	28 mm x 22 mm	5	50
0085053	35 mm x 22 mm	1	40
0085054	35 mm x 28 mm	1	35
0085055	42 mm x 28 mm	1	30
0085056	42 mm x 35 mm	1	15
0085057	54 mm x 28 mm	1	15
0085058	54 mm x 35 mm	1	20
0085059	54 mm x 42 mm	1	8

# Press-Inox Fittings



## End cap

Connection: press  
 Material : stainless steel 316L  
 Approval : DVGW/KIWA



PART NO.	SIZE	PACKAGING pcs	
0085162	15 mm	5	200
0085166	35 mm	1	60
0085167	42 mm	1	50
0085168	54 mm	1	20



## Deck elbow 90°

Connection: female thread x press  
 Material : stainless steel 316L  
 Approval : DVGW/KIWA



PART NO.	SIZE	PACKAGING pcs	
0085232	1/2" x 15 mm	5	50
0085234	3/4" x 22 mm	5	30



## Twin pipe

Connection: plain  
 Material : aluminium

PART NO.	SIZE	LENGTH m
0710675	22 mm	1
0710677	22 mm	3
0710679	22 mm	5
7014089	22 mm	6

# Twin pipe and Couplers



## Twin-pipe mounting block

Material: PA

PART NO.	SIZE
7007650	8 mm

## Twin pipe and Couplers



### Profec Socket, type Alu-PE-X

Suitable for multilayer pipe

Connection: compression  
Material : brass



PART NO.	SIZE
0702030	16 mm



### Profec Elbow 90°, type Alu-PE-X

Suitable for multilayer pipe

Connection: compression x  
female thread

Material : brass



PART NO.	SIZE
0702058	16 mm x 1/2"



### Profec Adaptor bush, type Alu-PE-X

Suitable for multilayer pipe

Connection: compression x male  
thread

Material : brass



PART NO.	SIZE
0702041	16 mm x 1/2"
0702044	20 mm x 3/4"
0702046	26 mm x 1"



### Profec Deck elbow 90°, type Alu-PE-X

Suitable for multilayer pipe

Connection: compression x  
female thread

Material : brass



PART NO.	SIZE
0702100	16 mm x 1/2"



### Profec Elbow 90°, type Alu-PE-X

Suitable for multilayer pipe

Connection: compression  
Material : brass



PART NO.	SIZE
0702054	16 mm
0702055	20 mm



### Profec T-piece 90°, type Alu-PE-X

Suitable for multilayer pipe

Connection: compression  
Material : brass



PART NO.	SIZE
0702078	16 mm



### Profec Adaptor socket, type Alu-PE-X

Suitable for multilayer pipe

Connection: compression x  
female thread

Material : brass



PART NO.	SIZE
0702034	16 mm x 1/2"
0702037	20 mm x 3/4"

# CLIMATE

## Cooling



**NAANDANJAIN**  
A JAIN IRRIGATION COMPANY



### NaanDanJain Micro sprinkler inverted, type Hadar 7110

Mounted upside down on overhead spraylines to reduce wetting and dripping from spraylines.

Comes without 3/8WW connection and only with original bayonet connection. Use with LPD drainage preventor and/or anti mist.

Connection : bayonet M

Sector adj. range: 360°

PART NO.	NOZZLE SIZE mm	COLOUR	REC. PRESS.	1.0 bar		2.0 bar		3.0 bar	
				I/h	R	I/h	R	I/h	R
7020939	1,0	purple	1.5 - 3.0	35	3,50	50	4,20	60	4.55
7020940	1,1	red	1.5 - 3.0	43	3,60	61	4,25	73	4.7
7020941	1,2	orange	1.5 - 3.0	50	4,00	75	4,50	88	4.8
7020942	1,3	green	1.5 - 3.0	60	4,25	87	4,75	107	5
7020943	1,4	blue	1.5 - 3.0	70	4,40	103	5,00	124	5.1
7020944	1,6	yellow	1.5 - 3.0	88	4,75	128	5,10	159	5.5
7020945	1,8	bright green	1.5 - 3.0	116	4,75	166	5,30	197	5.5
7020946	2,0	white	1.5 - 3.0	138	4,80	199	5,50	248	5.65



### NaanDanJain Leakage prevention device, type Hadar 7110 Low-Pressure

Opening 1.4 bar, closure 0.6 bar pressure.

For fitting into PE pipe, punch a 4mm hole.



**NAANDANJAIN**  
A JAIN IRRIGATION COMPANY

PART NO.	SIZE	CONNECTION	SUITABLE FOR
0620228		bayonet F x bayonet M	7110 series & Greenspin
7020874	3/8"	bayonet F x male thread	7110 series & Greenspin
7027311	4/7 mm	bayonet F x push-in	7110 series & Greenspin
7027375	M11	bayonet F x male thread	7110 series & Greenspin



### NaanDanJain Bayonet female for PE pipe

For fitting into PE pipe, punch hole 4mm.



**NAANDANJAIN**  
A JAIN IRRIGATION COMPANY

PART NO.	CONNECTION
0610069	bayonet F x barbed/push-in



### NaanDanJain Female bayonet adaptor



**NAANDANJAIN**  
A JAIN IRRIGATION COMPANY

PART NO.	SIZE	CONNECTION
0610072	1/2"	bayonet F x male thread



### NaanDanJain Female bayonet adaptor



**NAANDANJAIN**  
A JAIN IRRIGATION COMPANY

PART NO.	SIZE	CONNECTION
0610074	3/8WW	bayonet F x male thread





DRINKERS

PLASTIC PRESSURE  
PIPING SYSTEMS

FASTENERS AND  
ADHESIVES

CLAMPS

METAL VALVES

COUPLINGS AND  
ACCESSORIES

HOSES

METAL PIPES AND  
FITTINGS

MEASUREMENT, REGULATION  
AND FILTRATION

PUMPS, PRESSURE TANKS  
AND ACCESSORIES

TANKS

CLIMATE

# CLIMATE

## Cooling

### Turbofog

TurboFog fogging system for cooling humidifying water and spraying treatments. Innovative low pressure air and water fogging system suitable for farming, greenhouses and industry.

If you want to control your climate by cooling and humidification, fogging is an essential element. The success of a fogging system depends on how precisely one can maintain the required droplet size. With the patented Turbo-Fog technology average droplet size is adjustable and starts from as low as 5 micron.

### Technology

TurboFog is a patented hydro-pneumatic fogging system. It provides a unique compressed air-water fog system, which operates at low air pressure (2 - 2.5 bar) and low water pressure (2.5 - 6 bar). Droplet size, fog distance (cloud) and flow rate per nozzle can be varied and adjusted based on application requirements, by simple regulation of air and/or water pressures.

### Applications

- Evaporative cooling
- Humidification
- Dust suppression
- Odour neutralisation
- Automatic aerial application for water soluble products

### Advantages

- Ultra-fine droplet Size from 5 micron and adjustable flow rate start from 1.3 lph
- Significant energy saving
- No risk of clogging
- Possibility of automated spray solution with high uniformity
- Total coverage of the entire stable



#### NaanDanJain Low pressure fogger, type TurboFog

Connection : barbed  
Material : plastic



**NAANDANJAIN**  
A JAIN IRRIGATION COMPANY

PART NO.	SIZE	NOZZLE SIZE
7028441	5 mm	0,80 mm
7028442	5 mm	1,00 mm



#### NaanDanJain Low pressure fogger, type TurboFog

Connection : barbed  
Material : plastic



**NAANDANJAIN**  
A JAIN IRRIGATION COMPANY

PART NO.	SIZE	NOZZLE SIZE
7028443	16 mm	0,80 mm
7028444	16 mm	1,00 mm



#### NaanDanJain Low pressure fogger, type TurboFog

Connection : male thread  
Material : plastic



**NAANDANJAIN**  
A JAIN IRRIGATION COMPANY

PART NO.	SIZE	NOZZLE SIZE
7028445	1/2"	0,80 mm
7028446	1/2"	1,00 mm



**NaanDanJain Low pressure fogger, type TurboFog**

TurboFog fogger, including microtube for incoming water supply

Connection : barbed  
 Material : plastic



PART NO.	SIZE	NOZZLE SIZE
7028447	5 mm x 4/7"	0,80 mm
7028448	5 mm x 4/7"	1,00 mm



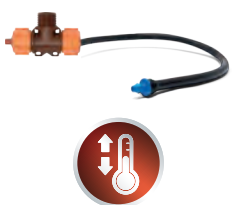
**NaanDanJain Low pressure fogger, type TurboFog**

TurboFog fogger, including microtube for incoming water supply

Connection : barbed  
 Material : plastic



PART NO.	SIZE	NOZZLE SIZE
7028449	16 mm x 4/7"	0,80 mm
7028450	16 mm x 4/7"	1,00 mm



**NaanDanJain Low pressure fogger, type TurboFog**

TurboFog fogger, including microtube for incoming water supply

Connection : male thread x barbed  
 Material : plastic



PART NO.	SIZE	NOZZLE SIZE
7028451	1/2" x 4/7"	0,80 mm
7028452	1/2" x 4/7"	1,00 mm

# CLIMATE

## Cooling



**NaanDanJain Manual regulator, type TurboFog**  
Control the water and air pressure with this manual regulator

**NAANDANJAIN**  
A JAIN IRRIGATION COMPANY



PART NO.	SUITABLE FOR
7028453	for compressed air and water pressure



**NaanDanJain Sensor, type TurboFog**  
Monitors the air humidity and temperature

**NAANDANJAIN**  
A JAIN IRRIGATION COMPANY



PART NO.	SUITABLE FOR
7028454	for humidity and temperature



**NaanDanJain Automatic regulator, type TurboFog**

**NAANDANJAIN**  
A JAIN IRRIGATION COMPANY



PART NO.	SUITABLE FOR
7028455	for compressed air and water pressure
7028456	for compressed air and water pressure includes timer



**NaanDanJain Complete regulation kit, type TurboFog**

**NAANDANJAIN**  
A JAIN IRRIGATION COMPANY



PART NO.	SUITABLE FOR
7028457	for up to 20 foggers
7028458	for up to 100 foggers



DRINKERS

PLASTIC PRESSURE  
PIPING SYSTEMS

FASTENERS AND  
ADHESIVES

CLAMPS

METAL VALVES

COUPLINGS AND  
ACCESSORIES

HOSES

METAL PIPES AND  
FITTINGS

MEASUREMENT, REGULATION  
AND FILTRATION

PUMPS, PRESSURE TANKS  
AND ACCESSORIES

TANKS

CLIMATE

# NOTES







## KONTAKT

**Hagebutikken AS**

📍 Midtun  
6894 Vangsnes  
Norge

☎ +47 48 99 60 05

✉ kontor@hagebutikken.no

🌐 www.hagebutikken.no



bringing water to life



**H GEBUTIKKEN**

[www.hagebutikken.no](http://www.hagebutikken.no)