



LANDSCAPE

With the expansion of landscape gardening on the one hand, and increase in water shortages on the other - smart, efficient and professional irrigation solutions are essential. NaanDanJain's extensive range of advanced irrigation technologies is designed to provide high-quality, user-friendly and efficient solutions to suit all professional and private gardening needs. These solutions include driplines, micro-sprinklers, pop-up sprinklers, sprinklers, controllers, electrical valves, valve boxes and accessories.

NAANDANJAIN *LandScape* 

NAANDANJAIN
A JAIN IRRIGATION COMPANY

Introduction

NaanDanJain, a world leader in irrigation solutions, is launching a new line of gardening and landscape products for both professional and private use in public, municipal or privately-owned areas.

With the expansion of landscape gardening on the one hand, and increase in water shortages on the other - smart, efficient and professional irrigation solutions are essential.

NaanDanJain's extensive range of advanced irrigation technologies is designed to provide high-quality, user-friendly and efficient solutions to suit all professional and private gardening needs. These solutions include driplines, micro-sprinklers, pop-up sprinklers, sprinklers, controllers, electrical valves, valve boxes and accessories. These are accompanied by years of experience, extensive know-how and ongoing support from our professional teams.

Contents

Introduction.....	3	SPRINKLERS	
TAP TIMERS		S 020.....	27
Click.....	4	Pro-S Sprays.....	28
Amico +.....	5	K Rotary Nozzle Series.....	29
Amico 2+.....	6	427 B, 525, Quick Coupling Valve (Plastic).....	30
CONTROLLERS		S 050, S 050 S.....	31
C-Dial Pro.....	7	S 075, S 075 D.....	32
I-Dial.....	8	S 075 S.....	33
Elite AC/DC.....	9	PopStar Plus 565.....	34
S-Dial (Smart Dial).....	10	Pop-Up 805.....	35
Amico Pro.....	11	S 100.....	36
W-Dial.....	12	Modular Group.....	37
TBD (True Bluetooth Device).....	13	TifDrip, NaanPC, AmnonDrip, TopDripHD.....	38
Fliwer Slim Pro.....	14-15	ClickTif HD.....	39
Fliwer DIY.....	16	Dripline Connectors, Lateral Flush Valve & Lateral LPD..	40
SENSORS		FITTINGS	
RainStop, RM Sensor.....	17	PVC Manifold, PP valves, Cut-off Telescopic Risers.....	41
ELECTRIC VALVES		ACCESSORIES	
Union Valves.....	18	Round Valve Boxes.....	42
Jar-Top.....	19	Rectangular Valve Boxes.....	43
I55 Plus Series.....	20		
I60 Plus Series.....	21		
I80 Series.....	22		
TAL Brass Valve.....	23		
Pressure Regulator.....	24		
3-Way Pressure Control Valve.....	25		
RN Solenoid, RN 3-Way Solenoid.....	26		

TAP TIMER **CLICK**



Click Click Plus Click Bluetooth Click Mist

Four different models of tap timers help manage micro-irrigation on small residential gardens, such as planter boxes on balconies. Allows different combinations of frequency and duration within irrigation cycles. Easy and fast programming.

PROGRAMMING

12 irrigation programs, combining 4 different durations with 3 different frequencies

TECHNICAL FEATURES

- 1 zone
- Inlet thread 3/4"-1"
- Outlet thread 3/4"
- Flow rate: 5 - 25 l/m
- Working pressure: 1.0 - 4.0 bar
- Diaphragm 9 VDC electric valve
- ABS body
- Powered by 2 X 1.5 Volt AAA alkaline batteries

CLICK

- Simple to adjust and cost-effective
- Button settings
- Starting time set to real time
- Duration options: 2, 5, 10, 15 minutes
- Frequency options: 12, 24, 48 hours

CLICK PLUS

- Starting time set by choosing 'delay' from the moment you program it
- Duration options: 2, 5, 10, 15 minutes
- Frequency options: 12, 24, 48 hours

CLICK BLUETOOTH

- Controlled by an app (Android or iPhone), which allows you to set a specific starting time and choose from pre-set programs

CLICK MIST

- Click Mist is the perfect solution for misting applications.
- Programs are quick misting cycles with short intervals, specifically set to refresh during the hot season.
- Duration options: 5, 10, 20, 30 seconds
- Frequency options: 1, 2, 5 minutes



TAP TIMER

AMICO +



The Amico + tap timer is user-friendly and of a high quality. Easy programming with large 3" display. Backlight display and large characters to assist in simple and easy programming both day and night.

PROGRAMMING

- 1 program
- Min/Max running time: 1 - 240 minutes
- Watering frequency: once every 6 hours - once every 15 days
- Current time indication
- Starting time indication
- Duration of watering indication
- Frequency indication
- Next irrigation indication
- Watering countdown
- Low battery function

TECHNICAL FEATURES

- 1 zone
- Inlet thread 3/4"-1"
- Outlet thread 3/4"
- Flow rate: 5 - 40 l/m
- Max. working pressure: 6.0 bar
- Diaphragm 9 VDC electric valve
- Removable control unit
- ABS body
- Hard plastic cover for LDC display protection
- Wide backlit 3" LCD display
- Powered by 2 X 1.5 Volt AAA alkaline batteries



TAP TIMER

AMICO 2+

The Amico 2+ tap timer is user-friendly and of a high quality. Easy programming with large 3" display. Allows for the setting of 2 completely independent valves. Backlight display and large characters to assist in simple and easy programming both day and night.

PROGRAMMING

- 1 program
- Min/Max running time: 1 - 240 minutes
- Watering frequency: once every 6 hours - once every 15 days
- Current time indication
- Starting time indication
- Duration of watering indication
- Frequency indication
- Next irrigation indication
- Watering countdown
- Low battery function

TECHNICAL FEATURES

- 2 zones
- Inlet thread $\frac{3}{4}$ " - 1"
- Outlet thread $\frac{3}{4}$ "
- Flow rate: 5 - 40 l/mn
- Max. working pressure: 6.0 bar
- Diaphragm 9 VDC electric valve
- Removable control unit
- ABS Body
- Hard plastic cover for LDC display protection
- Wide backlit 3" LCD display
- Powered by 2 X 1.5 Volt AA alkaline batteries



BATTERY/24 VAC CONTROLLER

NEW

C-DIAL PRO 9 VDC/24 VAC INDOOR



Electronic indoor controller with 4 or 6 stations for residential applications. Easy setting of the programming in 3 steps: starting time, duration and frequency.

PROGRAMMING

- 2 independent programs
- 2 starting times per program
- Running times: 1 - 240 minutes per station
- Shows next starting time
- Watering schedule: 7-day calendar with individual day selection
- Water budgeting mode: from 10% - 200%
- Freeze program function (OFF)

TECHNICAL FEATURES

24 VAC model

- Indoor model with external transformer
- Electrical power supply: 220 VAC 50Hz
- Electrical output: 24 Volt AC, 0.8 AMP
- 2 x 1.5 Volt AA alkaline batteries for display viewing and permanent memory (for saving programs)
- Sensor connection
- Master valve/pump port

9 VDC model

- 4 x 1.5 Volt AA alkaline batteries
- Electrical output: 9 Volt DC for latching solenoids
- Sensor connection

Programming



Battery compartment



LCD screen



Cover

BATTERY/24 VAC CONTROLLER

I-DIAL 9 VDC/24 VAC INDOOR & OUTDOOR



I-Dial Indoor

PROGRAMMING

- 4 independent programs
- 1 starting time per program
- Running times: 1 - 240 minutes per station
- Shows next starting time
- Watering schedule:
 - By 7-day calendar with individual day selection
 - By cycle with watering intervals of 1 - 19 days
- Water budgeting mode: from 10% - 200%
- Freeze program function (OFF)
- Sensor connection, programmable per station
- Master valve/pump port can be enabled or disabled by station (only for 24 VAC version)

TECHNICAL FEATURES

24 VAC model

- Wide backlit LCD display
- Sensor connection
- Master valve/pump port
- Indoor model:
 - external transformer
 - power output: 24 Volt AC, 0.8 AMP
- Outdoor model:
 - internal transformer
 - power output: 24 Volt AC, 1.0 AMP
- Electrical power supply: 220 VAC 50Hz
- 2 x 1.5 Volt AA alkaline batteries for display viewing and permanent memory (for saving programs)

Electronic indoor controller with 4, 6 or 8 stations for residential applications. Easy setting of the programming in 3 steps: starting time, duration and frequency.



I-Dial Outdoor

9 VDC model

- Wide backlit LCD display
- Sensor connection
- 4 x 1.5 Volt AA alkaline batteries
- Electrical output: 9 Volt DC for latching solenoids

BATTERY CONTROLLER

ELITE AC/DC 9 VDC/24 VAC INDOOR & OUTDOOR



Electronic controller for 4, 6, 8 or 10 stations with independent zone settings for starting times, duration, frequency and fertilizing functions. The controller works on a percentage (from 10% to 90%) of the irrigation time for each zone.

PROGRAMMING

- 4 independent programs per station
- 1 starting time per program
- Running times: 1 - 240 minutes per station
- Next starting time indication
- Watering schedule:
 - By 7-day calendar with individual day selection
 - By cycle with watering intervals of 1 to 15 days
- Fertilizer output activation: from 10% to 90%
- Water budgeting mode: from 10% to 200%
- Freeze program function (OFF)
- Sensor connection, programmable per station
- Master valve/pump port can be enabled or disabled on each station (only for 24 VAC version)

9 VDC model

- Wide backlit LCD display
- Sensor connection
- 4 x 1.5 Volt AA alkaline batteries
- Electrical output: 9 Volt DC for latching solenoids

TECHNICAL FEATURES

24 VAC model

- Wide backlit LCD display
- Sensor connection
- Master valve/pump port
- Indoor model:
 - external transformer
 - power output: 24 Volt AC, 0.8 AMP
- Outdoor model:
 - internal transformer
 - power output: 24 Volt AC, 1.0 AMP
- Electrical power supply: 220 VAC 50Hz
- 2 x 1.5 Volt AA alkaline batteries for display viewing and permanent memory (for saving programs)



24 VAC CONTROLLER

S-DIAL (Smart Dial) 24 VAC OUTDOOR

Unique controller for 6, 9, 12 or 16 stations. Can work in traditional stand-alone timer mode or be managed with artificial intelligence when connected to a link in the Fliwer system. Clear, user-friendly settings and graphic display.



PROGRAMMING

Timer mode

- 4 independent programs
- 2 starting times per program
- Running times: 1 - 240 minutes per station
- Remaining irrigation time is indicated
- Complete program settings summary screen
- Watering schedule:
 - By 7-day calendar with individual day selection
 - By cycle with watering intervals from once every hour to once every 99 days
- Freeze program function
- Sensor connection, programmable per connection
- Master valve/pump port can be enabled or disabled by station
- Advanced manual start:
 - By customized durations on stations
 - By same duration for all stations
 - By programs

Fliwer mode

- Infinite functionalities provided by Fliwer platform:
 - Guided by artificial intelligence
 - Remote-controlled by user
- Advance manual start:
 - By customizing durations for stations
 - By same duration for all stations
 - By programs



S-Dial Cover



S-Dial Programs



S-Dial Program Summary

TECHNICAL FEATURES

- Advanced graphic display on touch screen
- Available in 6, 9, 12, 16 zone versions
- Waterproof connection to 220 Volts
- Backup battery
- Integrated radio connection to Fliwer system
- Sensor/flowmeter port
- Master valve/pump port
- Hard transparent plastic cover

BATTERY CONTROLLER

AMICO PRO 9 VDC IP 68



Unique IP 68 battery controller for valve boxes in 1, 2 or 4 stations. User-friendly and of a high quality. Easy programming with large 3" display. Backlit display and large characters facilitate controller programming day or night.

PROGRAMMING

- 2 independent programs
- 1 starting time per program
- Running times: 1 - 240 minutes per station
- Next starting time indication
- Watering schedule by cycle: from once every 6 hours - once every 15 days
- Current time indication
- Starting time indication
- Duration of watering indication
- Frequency indication
- Next irrigation indication
- Watering countdown

TECHNICAL FEATURES

- Available in 1, 2, 4 zone versions
- Wide backlit 3" LCD display
- Low battery indication
- Powered by 2 X 1.5 Volt AA alkaline batteries
- Fast, waterproof connections for 9 VDC latching solenoids
- Provided with holder for valve boxes



BATTERY CONTROLLER

W-DIAL 9 VDC IP 68



Waterproof controller for 1, 2, 4 or 6 stations for battery-powered valve boxes. Backlit LCD display and large characters facilitate controller programming day or night. W-DIAL can work in both traditional stand-alone controller mode and in Fliwer mode connected by a link.

PROGRAMMING

Timer mode

- 4 independent programs
- 3 starting times per program
- Running times: 1 - 240 minutes per station
- Watering schedule:
 - By 7-day calendar with individual day selection
 - By cycle with watering intervals of once every hour to once every 99 days
- Freeze program function (OFF)
- Manual start by customized durations on stations

Fliwer mode

- Infinite functionalities provided by Fliwer platform:
 - Guided by artificial intelligence
 - Remote-controlled by user

TECHNICAL FEATURES

- Available in 1, 2, 4, 6 zone versions
- Wide backlit LCD display
- ABS body, fully waterproof (IP 68)
- Sensor connection
- Integrated radio connection to Fliwer system
- Powered by 4 X 1.5 Volt AA alkaline batteries
- Fast, waterproof connections for 9 VDC latching solenoids
- Maximum wire length to solenoids: 30 meters with 1.5 mm² wire size
- Provided with holder for valves boxes

BATTERY CONTROLLER

TBD (TRUE BLUETOOTH DEVICE)



TBD (True Bluetooth Device) is the most flexible IP 68 battery controller for 1, 2, 4 or 6 stations for valve boxes. With the latest Bluetooth technology, it is managed with an advanced app on your mobile phone.

PROGRAMMING

- 3 possible methods:
 - By A-B-C program (with 4 starting times per program)
 - By valve (1 duration setting and 4 starting times)
 - By valve program (4 duration and starting time settings)
- Running times: from 1 minute to 1 full day per station
- Complex alarm system

TECHNICAL FEATURES

- Available in 1, 2, 4, 6 zone versions
- Ultrasonic welded ABS housing, fully waterproof (IP 68)
- Powered by 2 X 1.5 Volt AA alkaline batteries
- Fast waterproof connections for 9 VDC latching solenoids
- Valve short circuit detection system
- Maximum wire length to solenoids: 30 meters with 1.5 mm² wire size
- Bluetooth range: about 10 meters
- Provided with holder for valves boxes



24 VAC CONTROLLER

FLIWER SLIM PRO

Fliwer Slim Pro - Wi-Fi Link



Fliwer Slim Pro - 3G Link



FLIWER LINK

Fliwer Slim Pro Link allows you to connect any Fliwer device to the cloud, and to identify and manage the needs of your garden on a daily basis. This model has additional features for the professional market.

The new antenna design and IP 68 case allow you to place the link indoors or outdoors.

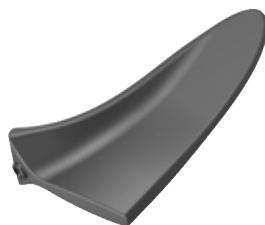
The slim design is space-saving and the built-in magnet allows you to attach it to all other Fliwer devices. Available in **Wi-Fi** and **3G** to enable you to connect to the system of your choice.

Two options are available: lithium battery pack or 220 Volts (with transformer).

Fliwer Lotus Pro Sensor



Fliwer Slim Pro Sensor

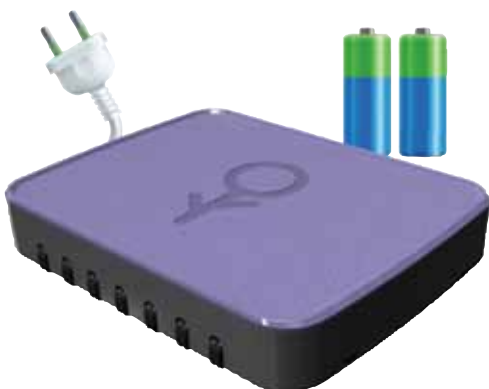


FLIWER SENSOR

Fliwer Lotus Pro Sensor is placed in a green area to build a phonological and representative profile of the environment. The number of sensors required will depend on the number of physical variations in the area; not only on the size of the area or the number of plants. **Fliwer Sensor** contains a rechargeable lithium battery for easy use and longevity. It detects light, environmental temperature and humidity, soil moisture and electro-conductivity.

Fliwer Slim Pro Sensor is the wired soil moisture sensor which can be plugged to **Fliwer Slim Pro Logger**, to allow you to monitor the soil at greater depth.

Fliwer Slim Pro Control



FLIWER CONTROL

Fliwer Slim Pro Control replaces conventional irrigation controllers in existing or new irrigation systems because it is fully compatible with all standard solenoid valves in the market. IP 68 allows you to place it both inside valve boxes and indoors. Easy to connect, it can control valves, pumps or master valves of up to 6 components. If more are needed, add more controls during installation.

Two versions are available: 9 Volt VDC for latching solenoid or 24 Volts. The slim design is space-saving and the magnet allows you to attach it to other Fliwer devices.

24 VAC CONTROLLER

FLIWER SLIM PRO

Fliwer Slim Pro Logger



FLIWER LOGGER

Fliwer Slim Pro Logger allows you to connect a maximum of 3 analogic or digital devices to the system, such as wired soil moisture sensors (like the Fliwer Slim Pro Sensor), wired electro-conductivity sensors or flow meters. The **Logger** also has embedded light, humidity and temperature sensors. This product is ideal for professionals seeking a precise management system. The slim design is space-saving and the magnet allows you to attach it to all other **Fliwer Slim Pro** devices.

There are two available versions: lithium battery (not included) or 220 Volt transformer (included).

Fliwer Slim Pro Display



FLIWER DISPLAY

Fliwer Slim Pro Display is for users who want a display that shows the main parameters of the system on site without a connection to the platform.

The IP 68 case allows you to place the pack indoors or outdoors. The slim design is space-saving and the magnet allows you to attach it to all other **Fliwer Slim Pro** devices.

There are two possible versions: lithium battery (not included) or 220 Volt transformer (included).

Fliwer Slim Pro Camera



FLIWER CAMERA

Fliwer Slim Pro Camera is an IP 68 camera that works with battery or regular electric power, and allows you to visually control the status of your garden via the platform. The slim design is space-saving and the magnet allows you to attach it to all other **Fliwer Slim Pro** devices.

Fliwer Slim Pro Battery



FLIWER BATTERY

Fliwer Slim Pro Battery is a lithium battery pack that allows any device to work independently without a power source. The battery pack is rechargeable with a regular mini USB port. The IP 68 case allows you to place the pack indoors or outdoors. The slim design is space-saving and the magnet allows you to attach it to all other **Fliwer Slim Pro** devices.

24 VAC CONTROLLER

FLIWER DIY

Fliwer Sense & Water Wi-Fi



- Components:**
- Fliwer Sensor
 - Fliwer Wi-Fi Link

FLIWER SENSE & WATER

Fliwer Sense & Water Kit allows you to monitor the state of your garden and the health of your plants. Suggestions and alerts are sent if something requires your attention. Through your user interface on the platform, you can check all data provided by the Fliwer sensor, such as light, environmental temperature and humidity, soil moisture and the need of fertilization (indicated by the electro-conductivity of the soil). The sensor contains an electric valve, which can be used to control a micro-irrigation system.

Fliwer Sense & Water 3G



- Components:**
- Fliwer Sensor
 - Fliwer 3G Link
 - SIM M2M

Fliwer Control



FLIWER CONTROL

Fliwer Control replaces conventional irrigation controllers in either existing or new irrigation systems because it is fully compatible with all standard solenoid valves (9 VDC and 24 VAC) in the market.

Fliwer Sensor



Fliwer Sensor Bi-Zone



FLIWER SENSOR

Fliwer Sensor is placed in a green area to build a phonological and representative profile of the environment.

The number of sensors required will depend on the number of physical variations in the area; not only on the size of the area or the number of plants.

Fliwer Sensor detects light, environmental temperature and humidity, soil moisture and electro-conductivity.

SENSORS

RAINSTOP



RAINSTOP is an electronic rain sensor which is set to cease irrigation when it rains - as soon as precipitation reaches 4 mm. In this way, the irrigation system is prevented from working while it rains. The high-quality electronic components all come from Japan.

FEATURES AND BENEFITS

- RAINSTOP 3 wires - can be connected to any 24 VAC controller that does not have a dedicated sensor port
- RAINSTOP 4 wires - can be connected to any 24 VAC with a dedicated sensor port
- Begins operating when rainfall reaches 4 mm
- The electronic sensor is sealed and well-protected.

RM SENSOR



The **RM Sensor** prevents your automatic sprinkler system from irrigating when it rains. The rain sensor can be adjusted to accommodate rainfall of 3 - 25 mm. The freeze sensor prevents pipe damage caused by freezing water. **RM Sensor** includes a control feature.

FEATURES AND BENEFITS

- Can be adjusted to 3, 6, 12, 19 or 25 mm rainfall
- For use with all types of 24 VAC controllers
- 10 meters of connection wire included
- Model threads : 1/2" NPT or 1/2" slip



ELECTRIC VALVES

UNION VALVES



This unique patented solenoid valve system is easily and securely installed without the use of keys, glue or teflon tape, saving time and money.



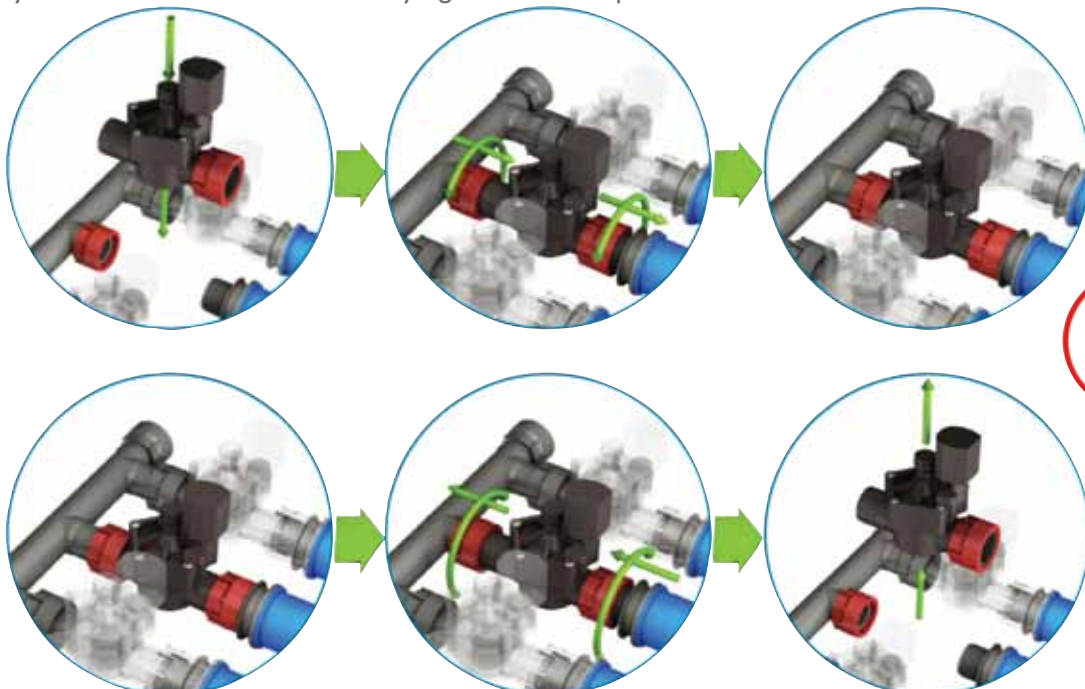
FEATURES AND BENEFITS

- PA 6 30% fiberglass
- Single-piece diaphragm for reliable leak-free valve closing
- Self-cleaning, stainless steel metering pin
- Stainless steel diaphragm with differential spring for smooth closing
- Solenoid certificate CE IP 68
- PN12 is tested piece by piece at 14 bar
- Bleed handle for manual opening with internal bleed
- Energy-efficient solenoid: 0.2 AMP, 4.8 VA
- Standard solenoid: 24 VAC
- Available solenoids: 12 VDC, 24 VDC, 110 VAC and 9 (6-40) VDC latching
- Flow control

OPERATING CONDITIONS

- Min/Max operating pressure: 1.0 - 12.0 bar
- Temperature: 4°C - 70°C

System installation without use of keys, glue or teflon tape



ELECTRIC VALVES

JAR-TOP



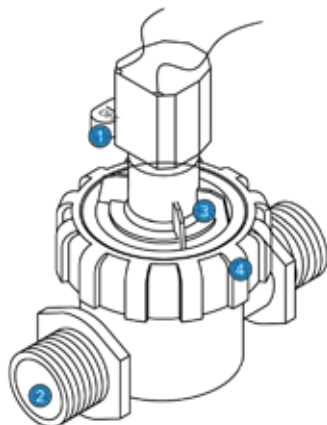
Electronic solenoid valve for professional contractors. Reliability and quality ensured by use of polyamide, TPE and AISIL stainless steel materials. Easy cleaning and maintenance. Compatible with manifold system for quick installation.

FEATURES AND BENEFITS

- PA 6 30% fiberglass
- Single-piece diaphragm for reliable leak-free valve closing
- Self-cleaning stainless steel metering pin
- Stainless steel diaphragm with differential spring for smooth closing
- Solenoid certificate CE IP 68
- PNI2 tested at 14 bar
- Bleed handle for manual opening with internal bleed
- Energy-efficient solenoid: 0.2 AMP, 4.8 VA
- Standard solenoid: 24 VAC
- Available solenoids: 12 VDC, 24 VDC, 110 VAC and 9 (6-40) VDC latching
- NPT thread version available on request: 1" F code 100.3210910

OPERATING CONDITIONS

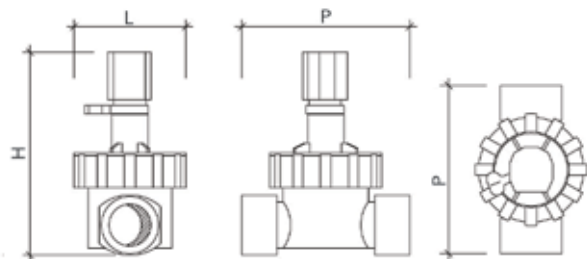
- Min/Max operating pressure: 1.0 - 12.0 bar
- Temperature: 4°C - 70°C
- Flow rate: 20 - 70 l/m



JAR-TOP Loss of Charge (bar)

	3/4"	1"	1" MxU
30 l/min	0.38	0.28	0.33
45 l/min	0.38	0.30	0.34
60 l/min	0.40	0.30	0.35
75 l/min	0.40	0.35	0.35
90 l/min	0.46	0.40	0.40
105 l/min	0.52	0.40	0.45
120 l/min	0.62	0.50	0.56
135 l/min	0.71	0.60	0.65

JAR-TOP Dimensions (cm)



1	Bleed handle for manual opening integrated in valve body
2	Threads available: male, female, union
3	Single-piece, co-injected diaphragm
4	JAR-TOP lid

	3/4" M	1" M	3/4" F	1" F	1" MxU
H	14.0	14.0	14.0	14.0	14.0
P	11.6	12.1	12.0	12.0	13.0
L	8.0	8.0	8.0	8.0	8.0

ELECTRIC VALVES

RN I55 PLUS



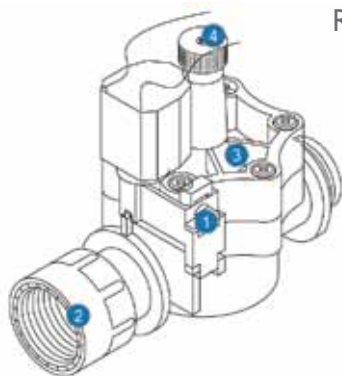
Electronic valve for professional landscape applications. Versatile with low loss in pressure. Easy manual opening integrated in the valve body, adjustable flow control and strong body.

FEATURES AND BENEFITS

- PA 6 30% fiberglass
- Single-piece diaphragm for reliable leak-free valve closing
- Self-cleaning stainless steel metering pin
- Stainless steel diaphragm with differential spring for smooth closing
- Solenoid certificate CE IP 68
- PNI2 tested at 14 bar
- Bleed handle for manual opening with internal bleed
- Energy-efficient solenoid: 0.2 AMP, 4.8 VA
- Standard solenoid: 24 VAC
- Available solenoids: 12 VDC, 24 VDC, 110 VAC and 9 (6-40) VDC latching
- Flow control
- NPT thread version available on request

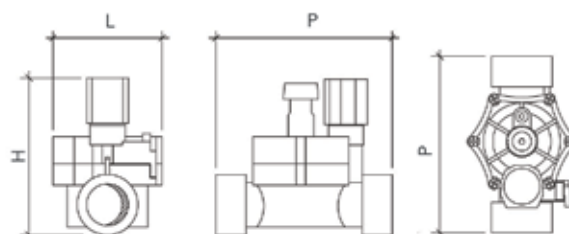
OPERATING CONDITIONS

- Min/Max operating pressure: 1.0 - 12.0 bar
- Temperature: 4°C - 70°C
- Flow rate: 35 - 90 l/m



RN I55 PLUS Loss of Pressure (bar) RN I55 PLUS Dimensions (cm)

	3/4"	1"	1" MxU
30 l/min	0.30	0.25	0.35
45 l/min	0.30	0.25	0.35
60 l/min	0.30	0.25	0.35
75 l/min	0.30	0.25	0.35
90 l/min	0.37	0.28	0.42
105 l/min	0.42	0.32	0.47
120 l/min	0.52	0.35	0.57
135 l/min	0.62	0.40	0.67
150 l/min	0.75	0.47	0.80



	3/4" M	1" M	1" F	1" MxU
H	11.5	11.5	11.5	11.5
P	13.1	13.1	13.1	13.9
L	8.1	8.1	8.1	8.1

1	Bleed handle for manual opening integrated in valve body
2	Threads available: male, female, union
3	Single-piece, co-injected diaphragm
4	Flow control adjustment handle available

ELECTRIC VALVES

RN I 60 PLUS



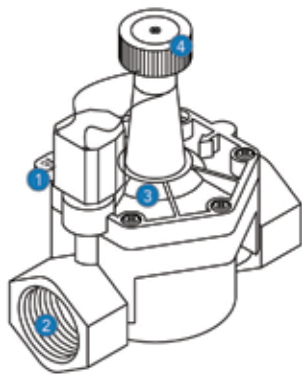
Electronic valve for professional landscape and agricultural applications. Versatile, reliable and strong with high performance.

FEATURES AND BENEFITS

- PA 6 30% fiberglass
- Self-cleaning stainless steel metering pin
- Stainless steel diaphragm with differential spring for smooth closing
- Solenoid certificate CE IP 68
- PN12 tested at 14 bar
- Bleed handle for manual opening with internal bleed
- Energy-efficient solenoid: 0.2 AMP, 4.8 VA
- Standard solenoid: 24 VAC
- Available solenoids: 12 VDC, 24 VDC, 110 VAC and 9 (6-40) VDC latching
- Flow control
- Two NPT versions available on request: 1 1/2" NPT W/FC or 2" NPT W/FC

OPERATING CONDITIONS

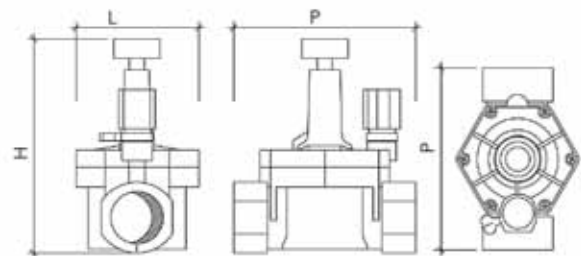
- Min/Max operating pressure: 1.0 - 12.0 bar
- Temperature: +4°C / 70°C
- Flow rate: 35 - 90 l/m



RN I 60 PLUS Loss of Charge (bar)

	1"	1 1/4"	1 1/2"	2"
75 l/min	0.20	0.20		
100 l/min	0.27	0.20	0.20	0.16
125 l/min	0.32	0.21	0.20	0.16
150 l/min	0.42	0.27	0.20	0.16
175 l/min	0.58	0.30	0.21	0.18
200 l/min	0.75	0.40	0.25	0.21
225 l/min		0.48	0.29	0.23
250 l/min		0.58	0.34	0.28
275 l/min		0.69	0.39	0.32
300 l/min			0.45	0.38
325 l/min				0.41

RN I 60 PLUS Dimensions (cm)



	1" F	1 1/4" F	1 1/2" F	2" F	2" MxU
H	18.4	18.4	18.4	18.4	18.4
P	14.5	14.8	15.7	18.3	17.5
L	10.6	10.6	10.6	10.6	10.6

1	Bleed handle for manual opening integrated in valve body
2	Threads available: male, female, union
3	Single-piece, co-injected diaphragm
4	Flow control adjustment handle available

ELECTRIC VALVES

RN 180 & RN 180 3-WAY



Electric high flow solenoid valve designed for agricultural and commercial applications. Heavy-duty valve made of virgin nylon and 30% fiberglass. Slow and safe closure prevents water shock in the system.

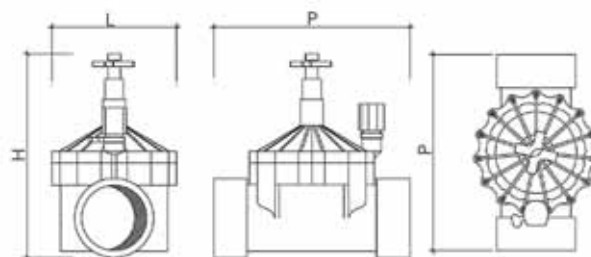
FEATURES AND BENEFITS

- PA 6 30% fiberglass
- Self-cleaning stainless steel metering pin
- Stainless steel diaphragm differential spring for smooth closing
- Solenoid certificate CE, IP 68 9
- PNI2 tested at 14 bar
- Bleed handle for manual opening with internal bleed
- Energy-efficient solenoid: 0.2 AMP, 4.8 VA
- Standard solenoid: 24 VAC
- Available solenoids: 12 VDC, 24 VDC, 110 VAC and 9 (6-40) VDC latching
- Flow control
- RN 180 3-WAY model can work with dirty water. Internal filter brings clean water to solenoid.

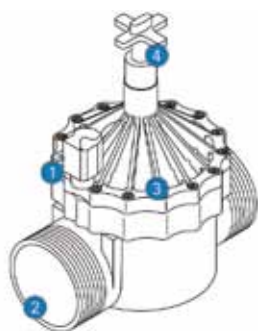
OPERATING CONDITIONS

- Min/Max operating pressure: 1.0 - 12.0 bar
- Temperature: 4°C - 70°C
- Flow rate: 200 - 1100 l/m

RN 180 & RN 180 3-WAY Dimensions (cm)



	3" M	3" F	2" F
H	25.0	25.0	25.0
P	24.0	25.3	25.3
L	17.0	17.0	17.0

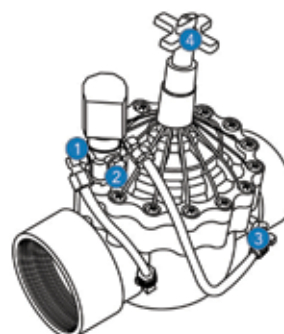


RN 180 & RN 180 3-WAY
Loss of Charge (bar)

	2"	3"
200 l/min	0.07	0.05
300 l/min	0.09	0.07
400 l/min	0.12	0.09
500 l/min	0.14	0.12
600 l/min	0.16	0.14
700 l/min	0.19	0.16
800 l/min	0.25	0.18
900 l/min	0.31	0.23
1000 l/min	0.38	0.28
1100 l/min	0.47	0.35

1	Bleed handle for manual opening integrated in valve body
2	Threads available: male, female
3	Assembled diaphragm
4	Flow control adjustment handle available

RN 180 3-WAY



1	Connection
2	3-way base
3	Inlet filter
4	Flow control adjustment handle available

ELECTRIC VALVES

TAL BRASS VALVE



Hydraulic brass valves are designed to meet the needs of any commercial landscape irrigation. Tal brass valves are durable and have minimal head loss.

FEATURES AND BENEFITS

- Inlet/outlet connection: 1", 1 1/2" & 2" BSP/ NPT female threaded
- 3-way valve port: female threaded 1/4" - 19" BSP or 1/4" - 18" NPT
- Pressure ports: female threaded 1/4" - 19" BSP or 1/4" - 18" NPT
- Operating pressure range : 0.6-10 kg/cm² (8-145 PSI)
- Pressure rating: PN10
- Temperature range: up to 60°C (with water)
- Simple and robust design with only 4 parts
- Light in weight for easy installation and maintenance
- Brass body and cover plate for durability and resistance to corrosion
- Metal-reinforced rubber valve lid designed for smooth operation without deformation at high pressure with drop tight shutoff
- Significantly reduced down time
- Minimal head loss due to interior design
- Arrow to assist with correct installation of hydraulic valve
- Compatible with most irrigation controllers in the market

HYDRAULIC VALVE OPERATION

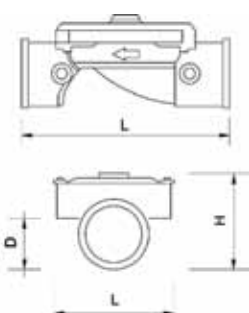
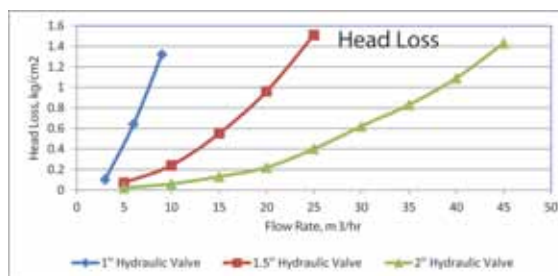
3-way control:

Fully-closed position – the device allows pressure into the control chamber.

Fully-opened position – the device releases pressure out into the atmosphere.

TAL VALVE Performance Table

Diameter	1"	1 1/2"	2"
Flow rate (m ³ /hour)	2-5	5-12	10-25

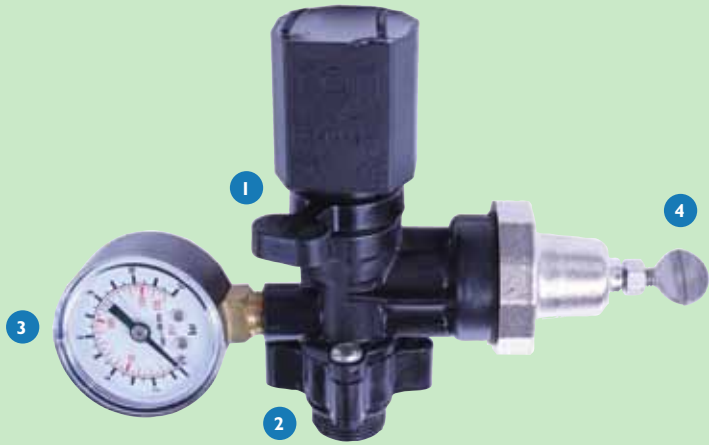


TAL VALVE Dimensions (mm)

Valve size (mm)	D (mm)	L (mm)	H (mm)	W (mm)
25	21.5	117	68.5	72
40	31	153.5	85	95
50	39	180.5	100	119

ELECTRIC VALVES

PRESSURE REGULATOR



This adjustable, flexible pressure regulator is operated by a regulation screw, providing the specific pressure required by the user. Suitable only with Rain valves.

1	Manual opening
2	Installation base
3	Pressure gauge
4	Regulation screw

FEATURES AND BENEFITS

- Made of nylon fiberglass and stainless steel
- Pressure gauge
- Regulation screw
- Suitable only with Rain valves

OPERATING CONDITIONS

- Pressure output: 1.0 - 7.0 bar
- Pressure input: max 12 bar
- Min differential pressure: 1.0 bar
- Temperature: 4°C - 70°C



ELECTRIC VALVES

3-WAY PRESSURE CONTROL VALVE



The 3-way brass pilot has a unique diaphragm that enables precise pressure control on hydraulic valves.

TECHNICAL FEATURES

- Universal function (reducing, sustaining or relieving pressure)
- 3-way operating system
- Port connection: 1/4" BSP/ NPT female threaded
- 3-way pilot port: female threaded 1/4" - 19" BSP or 1/4" - 18" NPT
- 3 different pilot ports available with max. operating & pressure adjustment range
- Suitable for valve sizes 40 mm - 150 mm (1 1/2" - 6")

Identification of pilot	Adjustment (bar)	Max. operating pressure (bar)
Natural color spring	0.7 - 6.5	16
Blue color spring	1 - 10	20
Red color spring	1 - 16	20

BENEFITS

- Horizontal or vertical installation in the system
- Precise pressure control with very short reaction time
- Arrow and number markings assist in correct installation
- Minimal head loss due to its interior design

ADJUSTMENTS

- Standard pressure adjustment: 3 kg/cm²
- Desired set pressure is attained by adjusting with adjusting screw on the pilot.

PRESSURE SUSTAINING/RELIEF VALVE FUNCTIONS:

1. When the upstream pressure is lower than the desired set pressure (valve fully closed)
2. When the upstream pressure is equal to desired set pressure
3. When the upstream pressure position is higher than desired set position

APPLICATION

The pressure-sustaining valve is installed in-line, sustaining minimum back pressure, and preventing line emptying and pump overloading.

The pressure relief valve is installed off-line: when the line pressure rises above a desired set pressure, the valve opens to reduce excessive upstream pressure. The hydraulic valve is controlled by a 3-way pilot valve. The pilot valve has a spring-loaded diaphragm which is sensitive to upstream pressure.

The pilot valve maintains constant upstream pressure, regardless of flow variations. The valve is in closed position if the upstream pressure is lower than the desired set pressure; and is fully open when the upstream pressure exceeds the desired set pressure.

ELECTRIC VALVES

RN SOLENOID

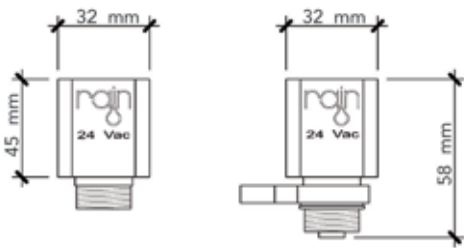


24 VAC

9 VDC

Solenoids are equipped with a handle adaptor, facilitating the manual opening and closing of valves with internal bleed. Easy, comfortable and safe operation inside of a valve box.

Solenoid's thread: 3/4" - 20" UNF standard



RN 3-WAY SOLENOID



24 VAC



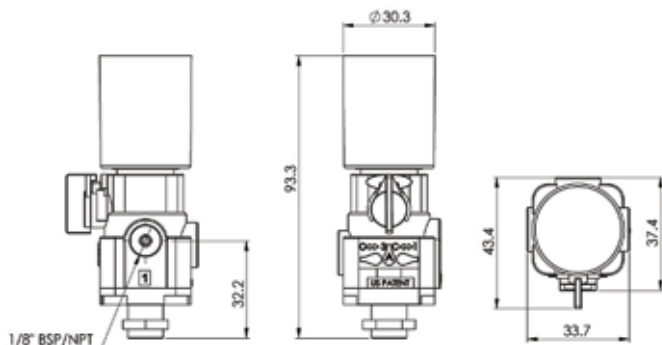
9 VDC

TECHNICAL FEATURES

- Function: 3-way N/O (normally open)
 - Port size: 1/8" BSP & NPT
 - Orifice: 1.8 mm
 - Materials in contact with media:
 - Manual override: reinforced nylon
 - Main valve: reinforced nylon
 - Seals: EPDM
 - Spring: stainless steel
 - Manual Override
 1. A - Auto (COM port 3 open)
 2. Turn clockwise (COM port 1 open)
 3. Turn counter-clockwise (COM port 3 open)
 - Colors:
 - Orange: 24 VAC solenoid
 - Blue: latching solenoid
- Optional COM port: you can choose between "COM" on the side or "COM" at the bottom of the valve, while the other port is plugged in.

OPERATING CONDITIONS

- Pressure range: 0 - 10 bar
- Temperature range:
 - Water passing through 5°C - 50°C
 - External environment -10°C - 50°C



SPRINKLERS

S 020



Pop-up 1/2" sprays are designed with contractors in mind, featuring a narrow profile and a co-molded wiper seal.

FEATURES AND BENEFITS

- Available in 2" and 4" models, providing flexibility in system design
- Accepts female threaded nozzles
- Stainless steel retraction spring facilitates reliable retraction of the riser in all soil conditions.
- Ratcheting riser allows for easy pattern alignment by turning the riser.
- Co-molded wiper seal ensures leak-free, full pop-up operation even in low-pressure conditions.
- Narrow profile body makes it easy to retrofit with existing systems in minutes.
- Color-coded nozzle

TECHNICAL DATA

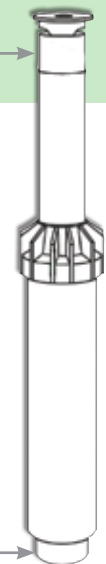
- Operating pressure: 1.4 - 3.5 bar
- Flow range: 1.9 - 17.5 l/min
- Inlet: 1/2" female thread

ADJUSTABLE NOZZLES



NOZZLES

Nozzle color	Nozzle	Radius (m)
Green	8A - Green	3.0 - 2.1
Blue	10A - Blue	3.7 - 3.0
Brown	12A - Brown	4.0 - 3.4
Black	15A - Black	4.9 - 4.0
Grey	17A - Grey	5.8 - 4.9



CHECK VALVE



S 020 Performance Table

Nozzle color	P (bar)	8A - Green		10A - Blue		12A - Brown		15A - Black		17A - Grey	
		D (m)	Q (m³/h)	D (m)	Q (m³/h)	D (m)	Q (m³/h)	D (m)	Q (m³/h)	D (m)	Q (m³/h)
90°	1.38	1.8	0.06	2.7	0.10	3.4	0.11	4.6	0.17	4.9	0.21
	2.07	2.1	0.07	2.7	0.11	3.7	0.12	4.9	0.18	5.2	0.23
	2.76	2.4	0.07	3.0	0.12	3.7	0.14	5.2	0.20	5.5	0.25
	3.45	2.4	0.08	3.4	0.14	4.0	0.15	5.2	0.23	5.8	0.28
180°	1.38	2.1	0.12	2.7	0.20	3.4	0.22	4.0	0.34	4.6	0.42
	2.07	2.1	0.14	3.0	0.21	3.4	0.23	4.3	0.36	4.9	0.45
	2.76	2.4	0.14	3.4	0.24	3.7	0.27	4.6	0.40	5.2	0.50
	3.45	2.7	0.17	3.7	0.27	4.0	0.30	4.6	0.45	5.5	0.57
270°	1.38	2.4	0.19	3.0	0.29	3.0	0.33	4.0	0.51	4.3	0.63
	2.07	2.4	0.20	3.0	0.32	3.4	0.35	4.3	0.54	4.6	0.68
	2.76	2.7	0.21	3.4	0.35	3.7	0.41	4.6	0.60	4.9	0.75
	3.45	3.0	0.25	3.7	0.41	4.0	0.44	4.6	0.68	5.2	0.85
360°	1.38	2.4	0.25	2.7	0.39	3.0	0.44	4.0	0.68	4.3	0.80
	2.07	2.7	0.27	3.0	0.42	3.4	0.46	4.3	0.73	4.6	0.91
	2.76	3.0	0.28	3.4	0.47	3.7	0.54	4.6	0.80	4.9	1.00
	3.45	3.4	0.33	3.7	0.54	4.0	0.59	4.6	0.91	5.2	1.14

SPRINKLERS

PRO-S™ SPRAYS



Pop-up 1/2" sprays are distinguished by their robust construction, rugged body and cap, co-molded seal and heavy duty retraction spring. The co-molded wiper seal ensures proper operation time after time with minimal flow by. Compatible with all standard female threaded nozzles.

FEATURES AND BENEFITS

- Co-molded wiper seal ensures a leak-free, full pop-up operation even in low-pressure conditions.
- Cartridge design allows for easy removal and cleaning.
- Treated with UV inhibitors for long life. Seal is microbe-resistant to reduce degradation and stick-ups.
- Accepts female threaded nozzles
- Ratcheting riser permits quick, easy alignment of spray pattern.
- Heavy-duty retraction spring – strongest spring in the industry for positive retraction in all soil conditions.
- Side inlet – standard on 12" (30.5 cm) model
- 6" model available with or without side inlet
- Wide selection of sizes – available in 2", 3", 4", 6" and 12" (5, 7.5, 10, 15 and 30.5 cm) models
- Pre-installed flush cap
- Optional in-stem pressure regulator – available for 4", 6" and 12" (10, 15 and 30.5 cm) models, factory preset at 40 Psi (2.8 bar)
- Optional in-stem check valve is installed in the field and holds up to 10" (3 m) of head pressure.
- Optional pre-installed nozzle guard

TECHNICAL DATA

- Operating pressure: 1.4 – 4.8 bar
- Flow rate: 0.6 bar, 1.9 – 17.5 l/m
- Inlet: 1/2" (1.3 cm) female threaded NPT



SPRINKLERS

K ROTARY



Pop-up 1/2" adjustable K Rotary nozzles, designed to fit into a standard pop-up spray head, provide increased uniform coverage over conventional fixed pattern spray nozzles, while delivering matched precipitation. The highly efficient water delivery reduces soil erosion and runoff, saving water and money. A perfect solution for low water pressure areas while still delivering precise, even coverage.

FEATURES AND BENEFITS

- Durable design molded with high-impact engineered resin for long life
- Superior uniformity – multi-stream technology provides outstanding coverage, eliminating brown spots.
- Matched precipitation – low precipitation rate is proportionate even after arc and radius adjustment.
- Water smart technology – reduces water use by up to 30% without sacrificing turf quality.
- Double pop-up design – delivers additional protection from dirt/ particulate intrusion and harsh conditions.
- Simple to adjust
- Color-coded – 6 standard nozzles and 3 specialty nozzles in the field

Nozzle code	Pattern	Nozzle color	P (bar)	Width x Length (m)	Q (m ³ /h)
Right end strip RNS-RES-515		Copper	2.06	1.22 x 4.6	1.14
			2.46	1.5 x 4.6	1.21
			2.75	1.5 x 4.6	1.32
			3.10	1.8 x 4.9	1.43
			3.45	1.8 x 4.9	1.51
Left end strip RNS-LES-515		Olive	2.06	1.22 x 4.6	1.14
			2.46	1.5 x 4.6	1.21
			2.75	1.5 x 4.6	1.32
			3.10	1.8 x 4.6	1.43
			3.45	1.8 x 4.9	1.51
Side strip RN-SS-530		Brown	2.06	1.22 x 8.8	1.80
			2.46	1.5 x 9.1	2.08
			2.75	1.5 x 9.1	2.30
			3.10	1.8 x 9.4	2.46
			3.45	2.1 x 9.7	2.64



RN - 100, 200, 300 Performance Table

Nozzle code	Pattern	Nozzle	P (bar)	D (m)	Q (m ³ /h)
RN 100 90-270		Green	2.07	3.96	0.83
			2.41	4.27	0.91
			2.76	4.27	0.94
			3.10	4.57	1.10
RN 100 90-270		Green	2.07	3.96	1.66
			2.41	4.27	1.78
			2.76	4.27	1.89
			3.10	4.57	2.19
RN 100 90-270		Green	2.07	3.96	2.50
			2.41	4.27	2.69
			2.76	4.27	2.84
			3.10	4.57	3.25
RN 100 360		Light Green	2.07	3.96	3.33
			2.41	4.27	3.56
			2.76	4.27	3.78
			3.10	4.57	4.35
RN 200 90-270		Blue	2.07	4.87	1.29
			2.41	5.18	1.44
			2.76	5.48	1.55
			3.10	5.79	1.59
RN 200 90-270		Blue	2.07	4.87	2.53
			2.41	5.18	2.84
			2.76	5.48	3.14
			3.10	5.79	3.18
RN 200 90-270		Blue	2.07	4.87	3.82
			2.41	5.18	4.28
			2.76	5.48	4.69
			3.10	5.79	4.77
RN 200 360		Light Blue	2.07	4.87	5.07
			2.41	5.18	5.68
			2.76	5.48	6.24
			3.10	5.79	6.36
RN 300 90-270		Grey	2.07	7.92	3.03
			2.41	7.92	3.22
			2.76	8.23	3.40
			3.10	8.53	3.59
RN 300 90-270		Grey	2.07	7.92	5.30
			2.41	8.23	5.68
			2.76	8.23	6.05
			3.10	8.84	6.43
RN 300 90-270		Grey	2.07	7.92	9.27
			2.41	8.23	9.65
			2.76	8.53	10.41
			3.10	8.53	10.98
RN 300 360		Light Grey	2.07	7.92	11.73
			2.41	8.23	12.11
			2.76	8.53	13.25
			3.10	8.53	13.43
			3.45	9.10	14.00

SPRINKLERS

427 B



Full- and part-circle impact sprinkler

Available as hose-end on spike or sled bases

FEATURES AND BENEFITS

- Spacing up to 14 m
- Color-coded bayonet nozzles for easy service
- Integrated stream-straightening vane for maximum range
- High-impact, heavy-duty plastic materials provide resistance to corrosion, chemicals and UV radiation
- WP hammer keeps all water inside the pattern and prevents the irrigation of roads and neighboring areas.

427 B Performance Table

Nozzle color (mm)	P (bar)	Q (m ³ /h)	D (m)
2.8 Orange	2.0	0.450	23
	3.0	0.550	23
	4.0	0.630	24
3.0 Red	2.0	0.510	23
	3.0	0.630	24
	4.0	0.720	25
3.2 Green	2.0	0.570	23
	3.0	0.700	24
	4.0	0.810	26
3.5 Blue	2.0	0.660	23
	3.0	0.810	24
	4.0	0.930	26
4.0* Black	2.0	0.850	24
	3.0	1.030	26
	4.0	1.180	26

525



Full- and part-circle gear-driven sprinkler 1/2" male thread

FEATURES AND BENEFITS

- Full- or part-circle gear-driven sprinkler with mechanism for quiet operation
- Water lubrication ensures reliable, long-lasting operation.
- Color-coded adjustable parts for easy identification
- Removable filter screen eliminates nozzle clogging.
- User-friendly, fingertip adjustment to full- or part-circle sprinklers
- Baffle deflector allows radius adjustment: 5.0 - 11.5 m
- Color-coded nozzles

TECHNICAL DATA

- Spacing between sprinklers: up to 12.0 m
- Operating pressure: 2.0 - 4.0 bar

525 Performance Table

Nozzle color (mm)	P (bar)	Q (m ³ /h)	D (m)
3.2 Orange	2.0	0.51	23
	3.0	0.63	25
	4.0	0.72	26
3.2* Green	2.0	0.57	24
	3.0	0.70	26
	4.0	0.81	27
4.0* Red	2.0	0.85	25
	3.0	1.03	27
	4.0	1.18	28

*Standard nozzle

ACCESSORIES

QUICK COUPLING VALVE (PLASTIC)



FEATURES AND BENEFITS

- Click lock on lid
- Stainless steel spring
- Specially designed grommet
- UV stabilized
- Rugged two-piece valve body design
- "Turn & Lock" key with ribbed grip
- Specially designed for applications in public areas

SPRINKLERS

S 050, S 050 S



Gear-driven, rotary sprinklers for small lawn and landscape areas and for replacing fixed sprays.

FEATURES AND BENEFITS

S 050

- Right starting position – rotor rotates counter-clockwise from fixed right starting position.
- Rubber cover – seals out dirt and increases product durability.

S 050 S

- Left starting position – rotor rotates clockwise from fixed left starting position.
- Patented arc set degree markings – clearly indicate the current watering pattern and simplify arc set adjustment.

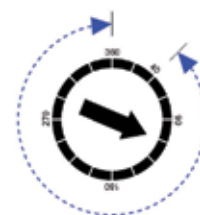
S 050 & S 050 S

- Time-proven patented reversing mechanism – ensures continuous reverse and return.
- Ratcheting riser – allows for easy adjustment of the starting position with a simple turn of the riser.
- Wide selection of nozzles – provides flexibility in system design.
- Optional check valve – prevents low head drainage.

TECHNICAL DATA

- Inlet: 1/2"
- Arc adjustment range: 40° - 360°
- Flow range: 2.8 - 12.5 l/m
- Operating pressure: 1.4 - 5.0 bar
- Precipitation rate: 0.5 - 1.0 cm per hour (depending on spacing and nozzle used)
- Overall height: 15.2 cm
- Recommended spacing: 5.2 - 8.5 m
- Radius: 5.2 - 9.1 m
- Nozzle trajectory: 26°
- Riser height: 10.2 cm

Arc set degree markings - only on S 050 S model



Check valve



S 050 & S050 S Performance Table

Nozzle	P (bar)	D (m)	Q (m ³ /h)
0.75	2.1	5.1	0.2
	2.8	5.1	0.2
	3.4	5.4	0.2
1	2.1	6.0	0.2
	2.8	6.3	0.3
	3.4	6.3	0.3
1.5 Pre-installed	2.1	6.9	0.3
	2.8	7.2	0.4
	3.4	7.2	0.4
2	2.1	7.5	0.4
	2.8	8.1	0.5
	3.4	8.1	0.5
3	2.1	8.4	0.6
	2.8	9.0	0.7
	3.4	9.0	0.8

SPRINKLERS

S 075



S 075 D

Gear-driven, 3/4" rotary sprinklers for basic residential and light commercial application. Ideal for low flow applications.



FEATURES AND BENEFITS

- Right starting position – rotor rotates counter-clockwise from fixed right starting position.
- Full and part circle rotation – provides a full range of adjustment from 40° - 360°.
- Non-flushing wiper seal – reduces leaks caused by debris trapped under seal.
- 3/4" inlet – replaces all standard rotors.
- Ideal for low flow applications
- Rubber cover – seals out dirt and increases product durability.
- Wide selection of nozzles – provides flexibility in system design.

TECHNICAL DATA

- Inlet: 3/4"
- Arc adjustment range: 40° - 360°
- Flow range: 1.9 - 54.4 l/m
- Operating pressure: 2.0 - 5.0 bar
- Precipitation rate: 0.3 - 2.9 cm per hour
- Overall height: 18.7 cm
- Recommended spacing: 7.6 - 13.7 m
- Radius: 6.7 - 15.5 m
- Nozzle trajectory: 25°
- Low angle nozzle trajectory: 11°
- 8 standard and 4 low angle nozzles included
- Riser height: 10.2 cm

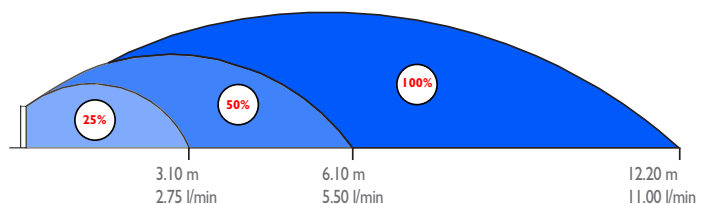
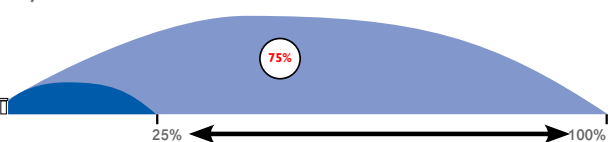
S075, S075 D
Performance Table 11°

Nozzle	P (bar)	D (m)	Q (m ³ /h)
1	2	6.7	0.3
	3	7.3	0.4
	3.5	7.9	0.4
	4	8.5	0.5
3	2	8.8	0.7
	3	9.8	0.7
	3.5	10.7	0.8
	4	11.3	0.9
4	2	9.4	0.8
	3	10.4	0.9
	3.5	11.3	1.0
	4	11.6	1.1
5	2	11.6	1.5
	3	12.2	1.7
	3.5	12.8	1.8
	4	13.4	2.0

S075, S075 D
Performance Table 25°

Nozzle	P (bar)	D (m)	Q (m ³ /h)
3 Pre-installed	2.1	11.0	0.5
	2.8	11.6	0.5
	3.4	12.2	0.6
	4.1	12.3	0.7
0.5	2.1	8.5	0.1
	2.8	8.8	0.1
	3.4	8.8	0.2
	4.1	9.1	0.2
0.75	2.1	8.8	0.2
	2.8	9.1	0.2
	3.4	9.1	0.2
	4.1	9.4	0.2
1	2.1	9.1	0.2
	2.8	9.4	0.2
	3.4	9.4	0.3
	4.1	9.8	0.3
2	2.1	9.8	0.3
	2.8	10.1	0.3
	3.4	10.4	0.4
	4.1	10.4	0.4
4	2.1	11.0	0.6
	2.8	12.2	0.7
	3.4	12.8	0.8
	4.1	12.8	0.8
6	2.1	11.6	1.0
	2.8	13.1	1.1
	3.4	14.0	1.2
	4.1	14.3	1.4
8	2.1	13.7	1.4
	2.8	14.6	1.5
	3.4	14.9	1.7
	4.1	15.5	1.9

Adjust distance and water flow at the same time - until 75%



SPRINKLERS

S 075 S



**Gear-driven 3/4" rotary sprinklers.
Distance and water flow can be adjusted
at the same time, saving time and water.**

FEATURES AND BENEFITS

- Revolutionary patented easy arc set – allows for wet or dry adjustment in seconds.
- 2NI adjustable or continuous rotation – provides a full range of adjustment from 40° to 360°.
- Patented arc set degree markings – clearly indicate the current watering pattern and simplify arc set adjustment.
- Arc memory clutch – prevents internal gear damage and returns rotor to its prior setting automatically if nozzle turret is forced out of adjustment.
- Time-proven patented reversing mechanism – ensures continuous reverse and return.
- Ratcheting riser – allows for easy adjustment of the left starting position with a simple turn of the riser.
- Rubber cover – seals out dirt and increases product durability.
- Optional check valve – prevents low head drainage.
- Rugged stainless steel spring – 0.093 gauge 302 stainless steel spring extends the life of the rotor.

TECHNICAL DATA

- Inlet: 3/4" threaded NPT
- Arc adjustment range: 40° - 360°
- Flow range: 1.9 - 36 l/m
- Operating pressure: 1.4 - 4.8 bar
- Precipitation rate: 5.39 - 30.89 mm/hr
- Overall height: 19 cm
- Recommended spacing: 8.5 - 13.4 m
- Radius: 7.9 - 14.9 m
- Nozzle trajectory: 26°
- Low angle nozzle trajectory: 12°
- Standard and low angle nozzle included
- Riser height: 12.7 cm

S075S Performance Table 12°

Nozzle	P (bar)	D (m)	Q (m ³ /h)
1 LA	2	6.7	4.5
	3	7.3	6.4
	3.5	7.9	6.8
	4	8.5	7.6
3 LA	2	8.8	11.4
	3	9.8	11.7
	3.5	10.7	13.2
	4	11.3	14.4
4 LA	2	9.4	12.9
	3	10.4	14.8
	3.5	11.3	16.7
	4	11.6	17.8
5 LA	2	11.6	24.6
	3	12.2	27.6
	3.5	12.8	30.3
	4	13.4	32.6

S075S Performance Table 25°

Nozzle	P (bar)	D (m)	Q (m ³ /h)
3 Pre-installed	2.1	11.0	7.6
	2.8	11.6	9.1
	3.4	12.2	10.2
	4.1	12.3	11.0
0.5	2.1	8.5	1.9
	2.8	8.8	2.3
	3.4	8.8	2.7
	4.1	9.1	3.0
0.75	2.1	8.8	2.6
	2.8	9.1	3.0
	3.4	9.1	3.4
	4.1	9.4	3.8
1	2.1	9.1	3.4
	2.8	9.4	3.8
	3.4	9.4	4.5
	4.1	9.8	4.9
2	2.1	9.8	4.5
	2.8	10.1	5.3
	3.4	10.4	6.1
	4.1	10.4	6.8
4	2.1	11.0	9.8
	2.8	12.2	11.4
	3.4	12.8	12.9
	4.1	12.8	14.0
6	2.1	11.6	15.9
	2.8	13.1	18.5
	3.4	14.0	20.8
	4.1	14.3	22.7
8	2.1	13.7	22.7
	2.8	14.6	25.7
	3.4	14.9	28.8
	4.1	15.5	31.0

SPRINKLERS

POPSTAR PLUS 565



Gear-driven, pop-up plastic sprinkler

FEATURES AND BENEFITS

- Excellent performance in a wide range of applications
- Easy tool-free hold & rotate arc adjustment
- Color-coded nozzles for easy identification and monitoring
- Range of nozzles for adaptation of uniform irrigation rates to different irrigation sectors
- Uniform irrigation – distribution uniformity above CU 88%
- Quick and simple maintenance
- Ribbed canister for anti-vandalism anchoring
- Ratchet mechanism for safe head rotation
- Unique nozzle shape for optimum close-to-sprinkler watering
- Arc memory for one-time arc adjustment – especially designed for public areas

TECHNICAL DATA

- Pop-up height: 10 cm
- Arc adjustment range: 40° - 360°
- Jet height: 2.3 - 3.0 m (according to nozzle and pressure)
- Recommended working pressure: 2.5 - 4.5 bar
- Spacing: up to 12 m
- Integral anti-drainage device: 1.2 m
- 3/4" water inlet

POPSTAR 565 Performance Table

Nozzle color	P (bar)	Q (m ³ /h)	D (m)	
			max.	min.
2 Gray	2.0	0.17	18.4	16.0
	3.0	0.20	18.4	16.0
	4.0	0.24	18.4	16.0
3 Purple	2.0	0.24	18.4	13.0
	3.0	0.30	18.4	13.0
	4.0	0.35	19.0	13.0
4 Orange	2.0	0.31	20.0	11.0
	3.0	0.39	21.0	11.0
	4.0	0.45	21.0	11.0
6* Green	2.0	0.52	22.0	17.0
	3.0	0.67	23.0	17.0
	4.0	0.78	23.0	17.0
8 Blue	2.0	0.62	22.0	18.0
	3.0	0.80	23.0	18.0
	4.0	0.93	23.0	18.0
9 Black	2.0	0.85	22.0	19.0
	3.0	1.10	24.0	19.0
	4.0	1.27	25.0	19.0

* Standard nozzle



SPRINKLERS

POP-UP 805

Pop-up plastic impact sprinkler



FEATURES AND BENEFITS

- Reliable impact plastic head for underground installation
- Color-coded bayonet nozzles for easy service
- Full- or part-circle pattern adjustment
- Diffuser screw breaks water into smaller droplets for uniform watering.
- Extra high 7.60 cm pop-up clearance
- Rugged ribbing case for maximum strength and durability – also provides anti-vandalism anchorage
- Sandproof seals and removable filter screen for easy maintenance

TECHNICAL DATA

- Spacing between sprinklers: up to 12.0 m
- Min/Max operating pressure: 2.0 - 4.0 bar
- 1/2" female water inlet

POPUP 805 Performance Table

Nozzle color (mm)	P (bar)	Q (m ³ /h)	D (m)
2.8 Orange	2.0	0.450	21
	3.0	0.550	23
	4.0	0.630	23
3.0 Red	2.0	0.510	22
	3.0	0.630	24
	4.0	0.720	25
3.2 Green	2.0	0.570	23
	3.0	0.700	24
	4.0	0.810	25
3.5 Blue	2.0	0.660	23
	3.0	0.810	24
	4.0	0.930	26
4.0* Black	2.0	0.850	24
	3.0	1.030	25
	4.0	1.180	26

* Standard nozzle



SPRINKLERS

S 100



Gear-driven, pop-up sprinkler for sports turf.

The standard S100 comes with a unique triple nozzle configuration, with a primary nozzle for long distance coverage and two secondary nozzles for mid and short distance coverage. This nozzle design provides even water distribution from 13 - 23 meters.

Available in a high-speed version for quick wet down.

FEATURES AND BENEFITS

- Revolutionary patented top arc set – simplified arc set allows for wet or dry adjustment in seconds.
- Triple nozzle configuration – ensures even distribution of water.
- Arc adjustment range: 40° - 360°
- Top arc set degree markings – clearly indicate the current watering pattern and simplify arc set adjustment.
- Arc memory clutch – prevents internal gear damage and returns rotor to its prior setting automatically if nozzle turret is forced out of adjustment.
- Time-proven patented reversing mechanism – ensures continuous reverse and return.
- Heavy-duty rubber cover and mud guard – protects against physical injury and reduces liability.
- Factory-installed check valve – prevents low head drainage.

TECHNICAL DATA

- Inlet: 2.5 cm threaded NPT (domestic)
- 2.5 cm threaded BSP (international)
- Arc adjustment range: 40° to continuous 360°
- Flow range: 19.3 - 123 l/m
- Recommended working pressure: 2.8 - 6.2 bar
- Precipitation rate: 12.2 - 34.3 mm/hr (depending on spacing and nozzle used)
- Overall height (popped down): 24.1 cm
- Recommended spacing: 12.2 - 19.8 m
- Radius: 13 - 23 m
- Nozzle trajectory: 26°
- Riser height: 10.2 cm



SPRINKLERS









Modular Group



Unique mini-valve

Complete range of micro-sprinklers and micro-jets for trees, shrubs, flowerbeds and pot plants

Wetted diameter (m) at 2.0 bar and 0.25 m above ground level

		Q (m ³ /h)	Static Spreaders			
			90°	180°	Flat	Small black
Nozzle color	Nozzle (mm)					
Grey	1.16	70				
Orange	1.50	120	4.5	2.7	4.0	6.0

FEATURES AND BENEFITS

- User-friendly static spreaders and swivel micro-sprinklers
- Removable unique mini-valve
- Assembled with swivel, bridge, spike and tube
- Wide range of wetted diameters and flow rates
- Light irrigation with fine droplets
- Full- and part-circle patterns

TECHNICAL DATA

- Static: 90°, 180°, 360° with 70 l/h nozzle for irrigation range up to 3 m
- Swivel: 120 l/h for irrigation range up to 6 m
- Recommended working pressure: 1.5 - 3.5 bar



PC & NON-PC CYLINDRICAL DRIPLINE

TifDrip & NaanPC

TifDrip 16 mm



2.0 l/h 4.0 l/h

NaanPC 16 mm



1.6 l/h 2.2 l/h

Applications: Lawns, shrubs, trees, flowerbeds, slopes, narrow planting areas (particularly long areas) and subsurface or surface installation.

FEATURES AND BENEFITS

- Round dripper with innovative Cascade labyrinth
- Unique vortex labyrinth for self-flushing
- High clogging resistance
- Durable tube for years of trouble-free use
- Brown UV-protected tube blends with ground or mulch colors

NaanPC

- State-of-the-art, round, pressure-regulated dripper
- Uniform flow rate along lateral

TECHNICAL DATA

- Wall thickness: 0.9, 1.0, 1.15 mm
- Dripper flow rate: 2 l/h
- Recommended working pressure:
 - TifDrip: 0.5 - 3.5 bar
 - NaanPC: 0.5 - 4.0 bar
- Recommended filtration: 120 mesh
- Coil length: 25, 50, 100, 400 m

NaanPC 16 mm

Head loss (m) in relation to lateral length (m), dripper flow rate and spacing (cm)

Flow rate (l/h)	2.2	
Pressure regulating range (bar)	Dripper spacing (cm)	
	30	50
1.5	75	115
2.0	90	140
2.5	100	150
3.0	110	160

PC FLAT DRIPLINE

AmnonDrip & TopDrip HD

AmnonDrip PC AS 16 mm



TopDrip HD PC AS 16 mm



PC AS: Pressure-compensating, anti-syphon design prevents suction at draining stage. Suitable for subsurface drip irrigation.

AmnonDrip PC AS

- Flow rates: 0.5, 1.1, 1.6, 2.0, 2.2, 3.8 l/h
- PC AS: Opening pressure - 0.5 bar
- Pressure regulating range: PC AS models - 0.5 - 4.0 bar
- Recommended filtration: 130 micron (120 mesh)

TopDrip HD PC AS

- Flow rates: 0.6, 1.0, 1.6, 2.0, 2.2, 3.5 l/h
- Pressure regulating range: 0.4 - 4.0 bar
- Operating pressure: 0.4 - 4.0 bar, according to wall thickness
- Wall thickness: 0.9 - 1.2 mm
- Recommended filtration: 130 micron (120 mesh)



ON-LINE PC BUTTON DRIPPERS

ClickTif HD

Heavy-duty, pressure-compensating (PC) and compensating non-leakage (CNL) on-line button dripper



TECHNICAL DATA

- Nominal discharge: 1.3, 2.0, 4.0 l/h
- Regulating pressure range: 1.0 - 4.0 bar
- Very low CV
- Non-leakage (CNL): Opening pressure - 8.0 m
Closing pressure - 3.0 m
- Filtration recommendation: 130 micron (120 mesh)

3/5 outlet connectors



Catalog no. 802908 Catalog no. 802920 Catalog no. 802940

Multi-level connectors









Catalog no. 802928 Catalog no. 802948



FITTINGS

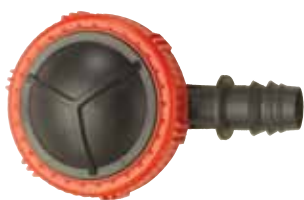
Dripline Connectors 16 mm

	Barbed connector
	Elbow barb
	T barb
	T barb, 3/4" female
	T barb, 3/4" male
	Y connector, 3/4" male

	Barb connector, 3/4" male
	Elbow barb, 3/4" male
	Quick start for PE & PVC
	Grommet for quick start for PVC
	End line
	Snap clip
	Dripper plug for AmnonDrip & TopDrip

Lateral Flush Valve

Automatic lateral flush valve for efficient dripline maintenance



Lateral LPD

Dripline leakage prevention device

OPERATING PRESSURE

- Opening pressure - 14 m
- Closing pressure - 6 m



FITTINGS

PVC MANIFOLD

MULTI-PORT PVC MANIFOLDS 1"



PVC MANIFOLD 1"

1		1" T
2		ELBOW FxM 1"
3		ELBOW FxF 1"
4		CROSS FxFxFxM 1"
5		CROSS FxFxFxF 1"
6		NIPPLE 1"
7		ADAPTOR FxM 1"
8		NIPPLE 3/4" - 1"
9		NIPPLE 1.5"

PVC MANIFOLD 1.5" & 2"

1		1.5", 2" T
2		ELBOW FxM 1.5", 2"
3		ELBOW FxF 1.5", 2"
4		CROSS FxFxFxM 1.5", 2"
5		NIPPLE 1.5" X 1"
6		NIPPLE 1.5"

CUT-OFF & TELESCOPIC RISERS



PP VALVES

ACCESSORIES

ROUND VALVE BOXES



ROUND VALVE BOXES
"EZOPEN"^{PAT}

Valve boxes are opened by simply lifting and pulling a discreet handle embedded in the lid. Each valve box has an anti-vandal bolt for additional security. A specially designed model bracket inside the box allows easy and tidy wire installation.

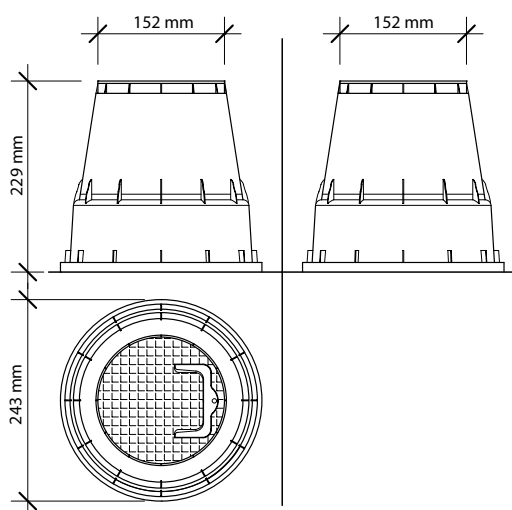
TECHNICAL DATA

- Material: 100% polypropylene
- UNI EN 124 A class A 15 (Peak load > 15 Kn)

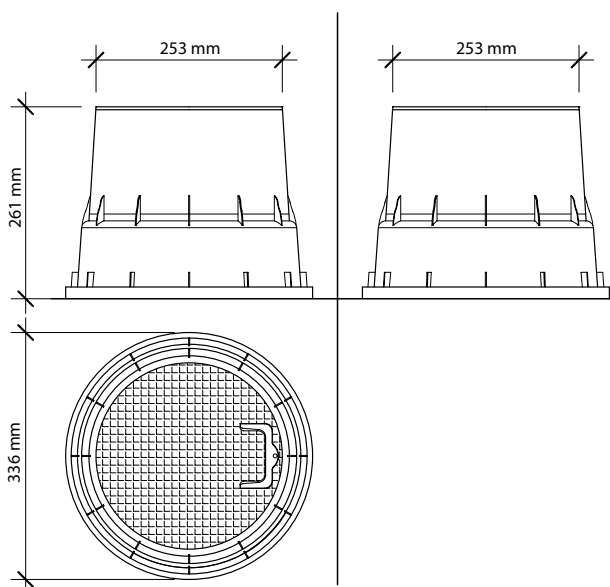
ROUND VALVE BOXES "EZOPEN"^{PAT}

Model	Height (mm)	Depth (mm)
PZCM RN15	230	150/240
PZCM RN25	260	250/340

PZCM 15



PZCM 25



ROUND VALVE BOX WITH 3/4" BALL VALVE

TECHNICAL DATA

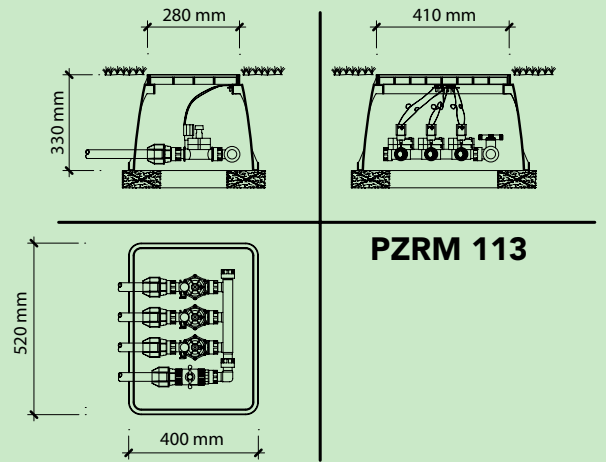
- Material: 100% polypropylene
- Valve material: zinc alloy
- Valve 3/4" male thread
- Inlet 3/4" female thread
- High resistance lid
- PZCR RN15 - Depth: 210/210 x Height: 130 mm
- Black body - Green lid

ACCESSORIES

RECTANGULAR VALVE BOXES



RECTANGULAR VALVE BOXES
113 and 115 "EZOPEN"^{PAT}

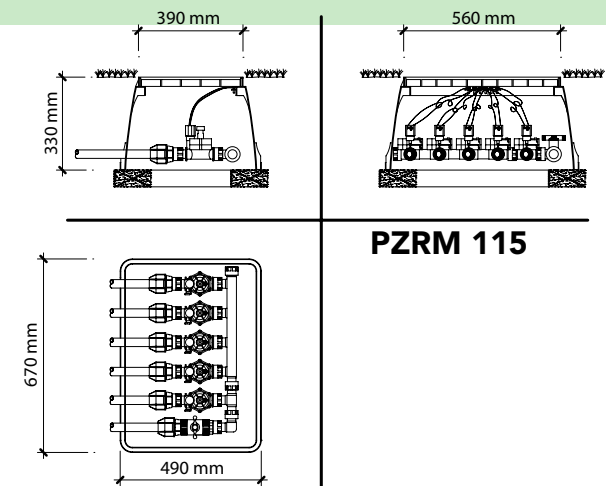


PZRM 113

RECTANGULAR VALVE BOXES "EZOPEN"^{PAT}

Model		Height (mm)	Depth (mm)
PZRM 113		330	520/400
PZRM 115	Jumbo	330	670/490
PZRM 117	Super Jumbo	410	810/590

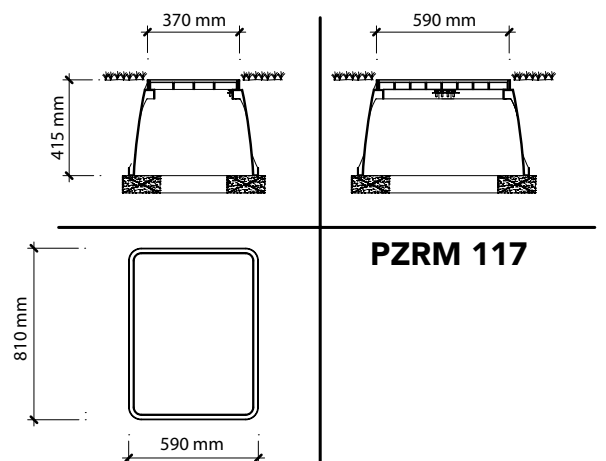
- Black body - Green lid
- Green body - Green lid



PZRM 115



RECTANGULAR VALVE BOXES
117 "EZOPEN"^{PAT}



PZRM 117

VALVE BOX RACK FOR "EZOPEN"^{PAT}

FEATURES AND BENEFITS

- Customizable in many different configurations
- Easy installation on walls of technical rooms
- Helps maintain orderly, clean valve box to make the maintenance easier and cleaner
- Manifold hooks facilitate easy installation of the valve box.

Available for rectangular valve boxes - 113, 115 series





© NAANDANJAIN Ltd. 07/2018 P I 13001

© 2018 NaanDanJain Ltd. All rights reserved.
All specifications are subject to change without notice.

NAANDANJAIN *LandScape*

NAANDANJAIN
A JAIN IRRIGATION COMPANY

NaanDanJain Irrigation Ltd.
Post Naan 7682900, Israel. T:+972-8-9442180, F:+972-8-9442190
E: contact@naandanjain.com www.naandanjain.com

